



ASTRALPOOL 

The new generation
of filtration pumps

Victoria Plus Silent

- ▶ Easy to use.
- ▶ Silent. Sound level below 70 dBa.
- ▶ A longer service life.
- ▶ Compatible with the Victoria Plus pump.

ASTRALPOOL 

www.astralpool.com

VICTORIA**PLUS**
SILENT

VICTORIA PLUS SILENT



The new generation of filtration pumps

Victoria Plus Silent. The new generation of filtration pumps

The filtration pump is the most important component for the good performance of any pool. It is core to the way a pool works as it performs several functions, all of which are essential for running and maintaining it.

There is a great variety of pool pumps in the market in terms of quality and performance, but not all pumps are the same. Power is not the only feature that makes a difference to a pump. Its quality depends on the materials it is made of, as this will determine its service life and sound level, on the hydraulic structure and, last but not least, on how easy the prefilter is to use and its size.

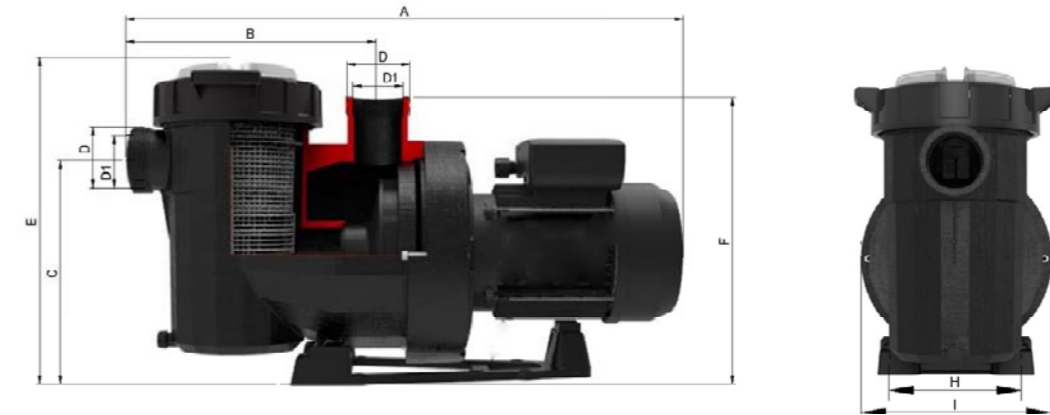
AstralPool, the world's leading pool brand, is launching what is probably the best filtration pump in the market: Victoria Plus Silent.

Advantages of Victoria Plus Silent

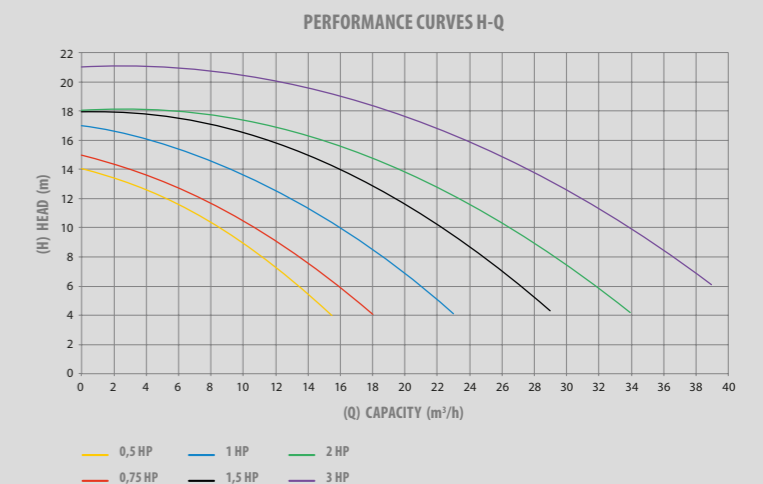
- **A longer service life** thanks to its state-of-the-art thermoplastic materials and motors with IP-55 protection rating that have been prepared to withstand hot environments and high levels of humidity.
- **Easy to use and maintain** as it has a built-in prefilter with two levers and better protection to prevent foreign bodies from getting in that could damage the pump's hydraulic parts.
- **For all pools** as it comes in a wide range of single-phase and three-phase motors from 1/2 to 3 cv. Victoria Plus Silent is self-priming.



Technical information:



| Code | Dimensions | | | | | | | | |
|-------|------------|-----|-----|---|--------|-----|-----|-----|-----|
| | A | B | C | D | D1 | E | F | H | I |
| 65557 | 581 | 281 | 246 | External Thread on the Victoria Plus Silent | 2" GAS | 359 | 322 | 164 | 254 |
| 65558 | 581 | 281 | 246 | | 2" GAS | 359 | 322 | 164 | 254 |
| 65560 | 581 | 281 | 246 | | 2" GAS | 359 | 322 | 164 | 254 |
| 65561 | 581 | 281 | 246 | | 2" GAS | 359 | 322 | 164 | 254 |
| 65562 | 581 | 281 | 246 | | 2" GAS | 359 | 322 | 164 | 254 |
| 65563 | 581 | 281 | 246 | | 2" GAS | 359 | 322 | 164 | 254 |
| 65564 | 615 | 281 | 246 | | 2" GAS | 359 | 356 | 164 | 254 |
| 65565 | 615 | 281 | 246 | | 2" GAS | 359 | 356 | 164 | 254 |
| 65566 | 615 | 281 | 246 | | 2" GAS | 359 | 356 | 164 | 254 |
| 65567 | 615 | 281 | 246 | | 2" GAS | 359 | 356 | 164 | 254 |
| 65569 | 646 | 281 | 246 | 2" GAS | 359 | 387 | 164 | 254 | |
| 65570 | 615 | 281 | 246 | 2" GAS | 359 | 356 | 164 | 254 | |



| Code | Power CV/HP | Voltage V | Max. H m | RPM | Nom. Q m ³ /h | Nom. H m | Weight kg | Volume m ³ |
|-------|-------------|-----------|----------|------|--------------------------|----------|-----------|-----------------------|
| 65557 | 1/2 CV II | 230V | 14 | 2810 | 11 | 8 | 12 | 0.07 |
| 65558 | 1/2 CV III | 230/400V | 14 | 2825 | 11 | 8 | | |
| 65560 | 3/4 CV II | 230V | 15 | 2802 | 11 | 10 | 13 | |
| 65561 | 3/4 CV III | 230/400V | 15 | 2810 | 11 | 10 | | |
| 65562 | 1 CV II | 230V | 17 | 2810 | 16 | 10 | 14 | |
| 65563 | 1 CV III | 230/400V | 17 | 2810 | 16 | 10 | | |
| 65564 | 1.5 CV II | 230V | 18 | 2800 | 22,5 | 10 | | |
| 65565 | 1.5 CV III | 230/400V | 18 | 2810 | 22,5 | 10 | | |
| 65566 | 2 CV II | 230V | 18 | 2860 | 26,5 | 10 | 17 | |
| 65567 | 2 CV III | 230/400V | 18 | 2800 | 26,5 | 10 | | |
| 65569 | 3 CV II | 230V | 21 | 2827 | 34 | 10 | 18 | |
| 65570 | 3 CV III | 230/400V | 21 | 2780 | 34 | 10 | | |