

Hi-Flow titanium 28-75kW

Hi-Flow titanium is a spiral heat exchanger made of titanium for the most demanding installations where there is a high risk of corrosion. Titanium is ideal for swimming pools with salt water or where a salt chlorinator is used. Adjustable stainless steel attachments included.

Maximum pressure secondary circuit (pool water) is 5 bar and primary circuit (hot water) is 30 bar.

Suitable for pools up to 300 m³



Hi-Flow is a spiral heat exchanger made of titanium, the ideal material when a salt chlorinator is used. Suitable for installations with high pressure.

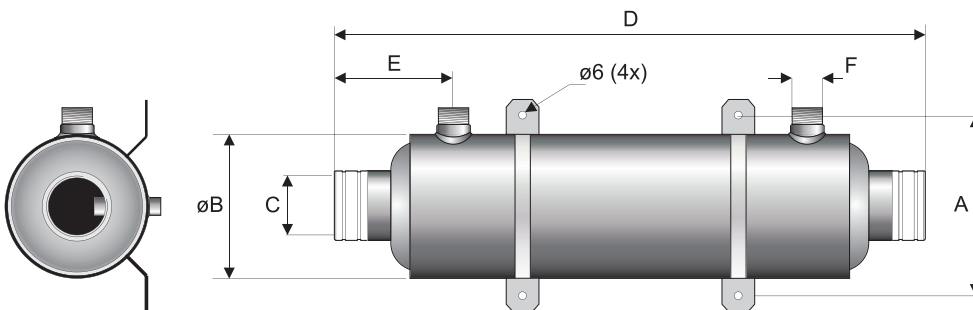
Features

- Titanium
- Connections with interior thread (secondary side)
- Coil for the heating medium
- Pocket for temperature probe
- Adjustable brackets of acid proof stainless steel
- Three sizes 28, 40 and 75 kW
- Connects to existing heat source
- Mounted horizontally

Technical data

Item no.	Type	Capacity			Primary, hot water		Secondary, pool water		kg
		kW	kBtu/h	kcal	l/min	press. drop H (m)	l/min	press. drop H (m)	
11332	T28	28	95	24 075	20	1.0	300	1.1	1.9
11333	T40	40	135	34 393	40	2.3	350	1.7	2.0
11334	T75	75	260	64 488	45	5.2	350	1.7	2.9

Capacity at a temperature difference of 60°C for 11332 and 11333. Capacity at a temperature difference of 70°C for 11334.



Dimensions

Item no.	kW	A	B	C	D	E	F	G
11332	28	139	113	1 ½"	470	95	1"	51
11333	40	139	127	1 ½"	510	108	1"	51
11334	75	139	127	1 ½"	754	108	1"	51