

NOCCHI CPS20

VARIABLE SPEED PRESSURE BOOSTER SETS WITH TWO PUMPS

The new series of variable speed pressure booster sets CPS20 offers a reliable and simple solution for residential and industrial applications. The system envisages the parallel installation of two inverters integrated directly on the motor of each electric pump installed. The two frequency converters communicate and alternate the starting sequence on each work cycle, keeping constant pressure in the distribution system.

APPLICATIONS

- Lifting and distribution of water in domestic systems.
- Pressure booster systems
- Irrigation
- Industry
- Washing

TECHNICAL SPECIFICATIONS

- Power supply voltage: inverter 1x230 Vac \pm 10 %.
- Inverter output voltage: 3x230 Vac \pm 10 %.
- Maximum nominal power: 2x2. kW.
- Input frequency: 50/60 Hz + 3%.
- Maximum nominal output current: 8 Amp.
- Protection rating: 1P55-VLR / 1P54-DHR ; IP-44 MULTINOX, MULTINOX-A, MULTINOX-VE, JET, JETINOX.
- Max. temperature: 50°C.
- Inlet filter compliant with EMC directive.
- Pressure transducer 0 - 5 Volt - 0 - 10 Bar.
- Interface connectivity: RS 485 serial port.
- 3 optional contacts (external set-point, alarm, system disable).

BASE

- In galvanized sheet steel complete vibration damper feet.

SUCTION MANIFOLD

In galvanized steel with:

- 2 brass ball valves *

DELIVERY MANIFOLD

In galvanized steel with:

- 2 brass ball valves *
- 1 pressure gauge
- 2 pressure sensors.

Electrical protection panel with thermal magnetic cut-outs.

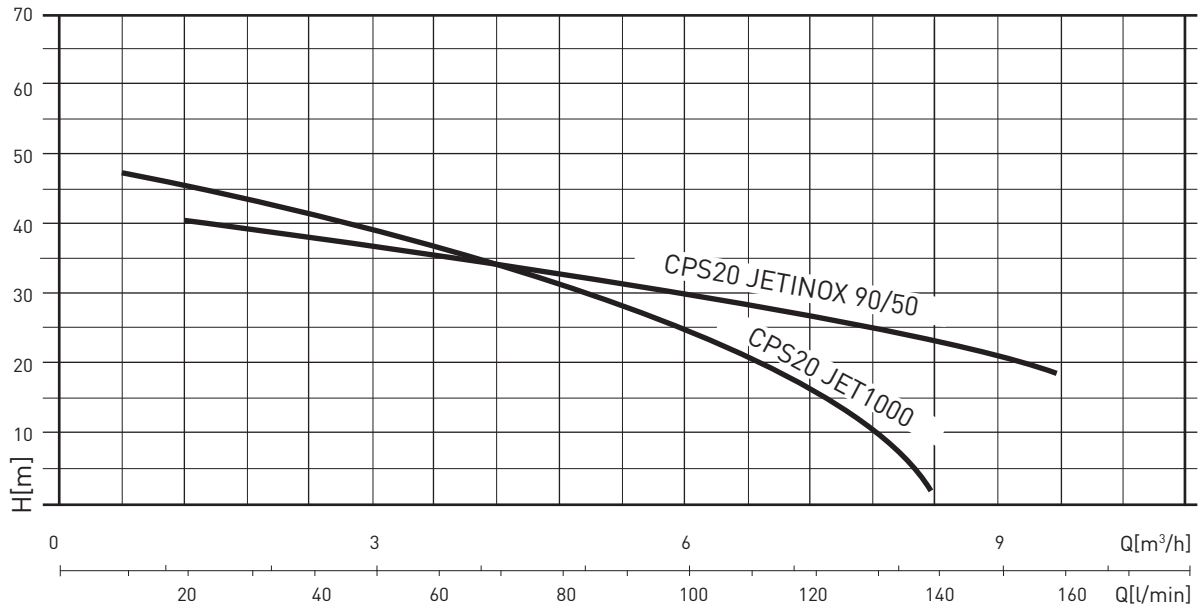
TYPE	MODEL	kW (P2)	Q1 l/m	Q2 l/m	H1 m	H2 m
HORIZONTAL	CPS20 JET 1000	2x1	10	140	42	20
	CPS20 JETINOX 90/50	2x0.9	20	160	44	3
	CPS20 MULTINOX-XC 80/48	2x0.55	20	160	37	4
	CPS20 MULTINOX-XC 120/45	2x0.85	20	200	43	3
	CPS20 MULTINOX-XC 120/60	2x0.9	20	200	53	7
	CPS20 MULTINOX-A 200/40 hv	2x1.1	40	360	34	13
	CPS20 MULTINOX-A 200/65	2x1.4	40	360	56	22
	CPS20 MULTINOX-A 200/80	2x1.8	40	360	67	26
	CPS20 DHR 2-50	2x0.5	20	100	25	12
	CPS20 DHR 4-50	2x0.7	80	240	39	17
	CPS20 DHR 4-60	2x1.1	80	240	49	25
	CPS20 DHR 9-40	2x1.3	80	480	40	10
	CPS20 DHR 9-60	2x1.9	804	80	60	14
VERTICAL	CPS20 MULTINOX-VE 200/40	2x1.1	40	360	34	13
	CPS20 MULTINOX-VE 200/65	2x1.4	40	360	56	22
	CPS20 MULTINOX-VE200/80	2x1.8	40	320	67	26
	CPS20 VLR2B/60	2x0.75	20	100	54	30
	CPS20 VLR2B/110	2x1,	120	100	100	55
	CPS20 VLR 4-60	2x1.1	80	240	53	27
	CPS20 VLR 4-80	2x1.5	80	240	71	35
	CPS20 VLR 4-100	2x2.2	80	240	89	44
CPS20 VLR8-40	2x1.5	100	400	41	22	



NOCCHI CPS20 JET - JETINOX

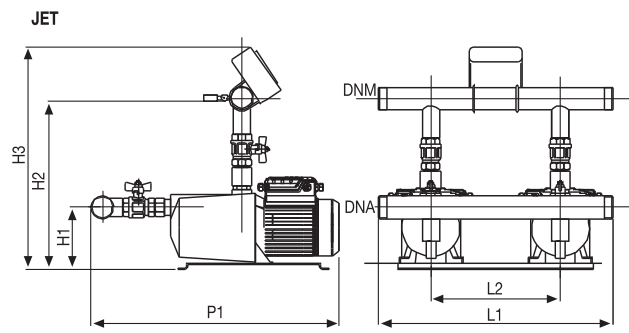
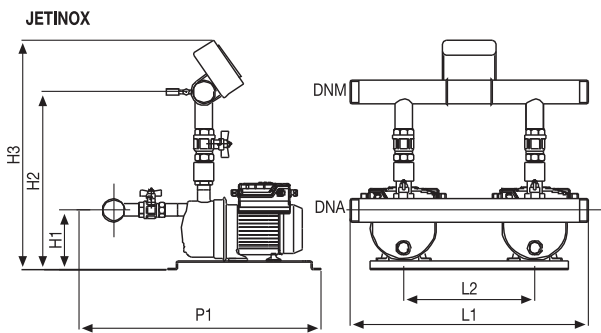
VARIABLE SPEED PRESSURE BOOSTER SETS WITH TWO PUMPS

HYDRAULIC PERFORMANCE



PERFORMANCE TABLE

MODEL	P1		Volt	In (A)	Q	L/min m³/h	20	40	60	80	100	120	140	160
	HP	kW					1.2	2.4	3.6	4.8	6	7.2	8.4	9.6
CPS20-JETINOX90/50	2x2	2x1.5	1 - 230	2x9	m.c.a./ m.w.c.	42	39	37	33	30	27	25	20	
CPS20- JET 1000	2x1.5	2x1.1	1 - 230	2x7.7		44	41	37	32	25	15	3		



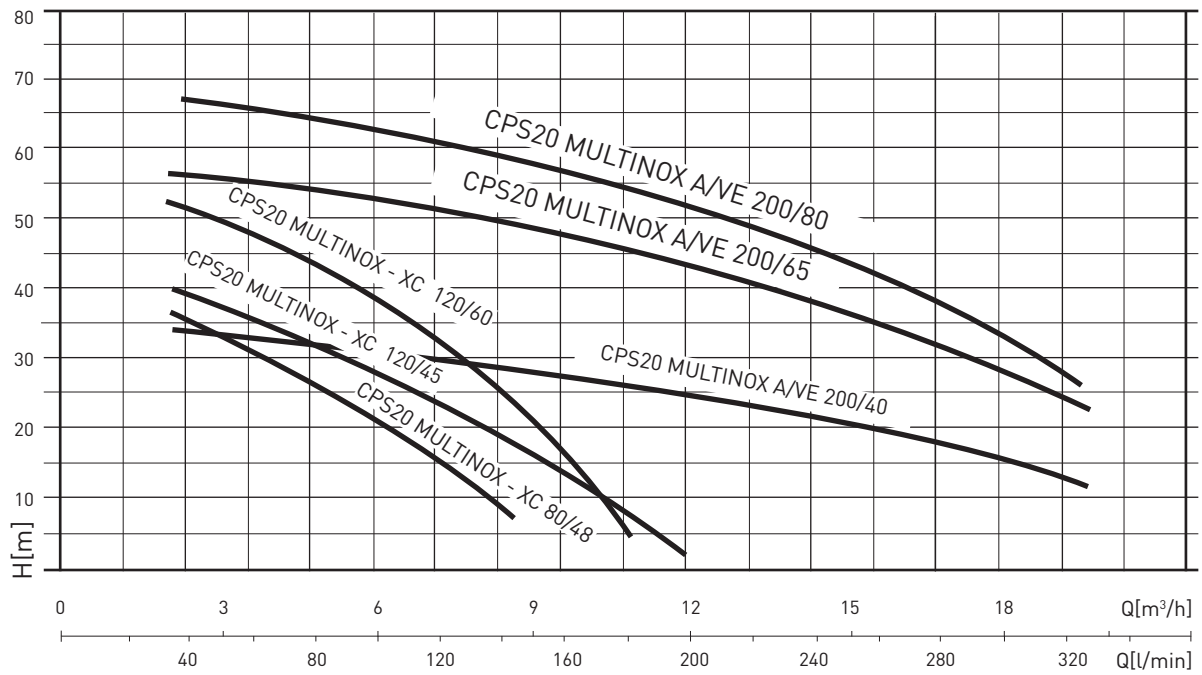
OVERALL DIMENSIONS AND WEIGHTS

MODEL	Dimensions (mm)								Weight kg
	L1	L2	H1	H2	H3	P1	DNA	DNM	
CPS20 JETINOX90/50	460	320	40	243	450	740	2"	2"	70
CPS20 JET 1000	670	370	165	465	500	690	2"	2"	65

NOCCHI CPS20 MULTINOX

VARIABLE SPEED PRESSURE BOOSTER SETS WITH TWO PUMPS

HYDRAULIC PERFORMANCE



PERFORMANCE TABLE

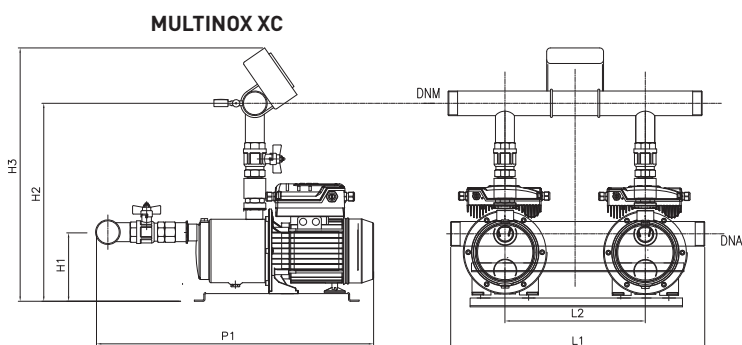
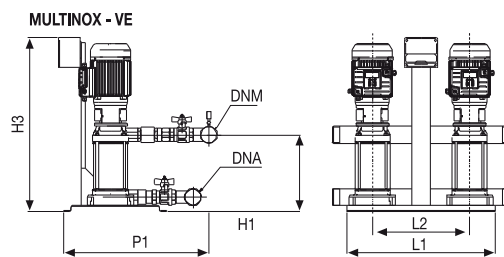
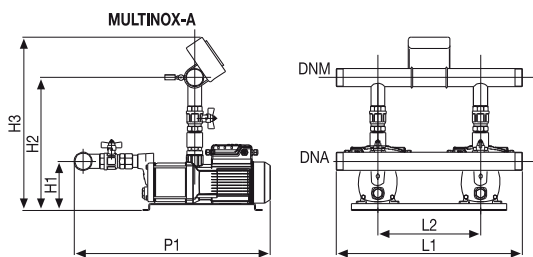
MODEL	P1		Volt	In (A)	Q	L/min	40	80	120	160	200	280	360
	HP	kW				m³/h	2.4	4.8	7.2	9.6	12.0	16.8	21.6
CPS20/MULTINOX-XC 80/48	2x0.75	2x0.55	1 ~ 230	2x5.1	m.c.a./m.w.c.	34	25	15	4				
CPS20/MULTINOX-XC 120/45	2x1.1	2x0.85	1 ~ 230	2x8.1		40	33	24	14	3			
CPS20/MULTINOX-XC 120/60	2x1.2	2x0.9	1 ~ 230	2x8		49	42	32	20	7			
CPS20/MULTINOX-A 200/40	2x1.6	2x1.2	1 ~ 230	2x8.7		34	33	32	29	27	21	13	
CPS20/MULTINOX-A 200/65	2x2.7	2x2	1 ~ 230	2x14.4		56	55	54	50	46	36	22	
CPS20/MULTINOX-A 200/80	2x3.1	2x2.3	1 ~ 230	2x15.5		67	65.5	64	60	55	43	26	
CPS20/MULTINOX-VE 200/40	2x1.6	2x1.2	1 ~ 230	2x8.7		34	33	32	29	27	21	13	
CPS20/MULTINOX-VE 200/65	2x2.7	2x2	1 ~ 230	2x14.4		56	55	54	50	46	36	22	
CPS20/MULTINOX-VE 200/80	2x3.1	2x2.3	1 ~ 230	2x15.5		67	65.5	64	60	55	43	26	

NOCCHI CPS20 MULTINOX

VARIABLE SPEED PRESSURE BOOSTER SETS WITH TWO PUMPS

OVERALL DIMENSIONS AND WEIGHTS

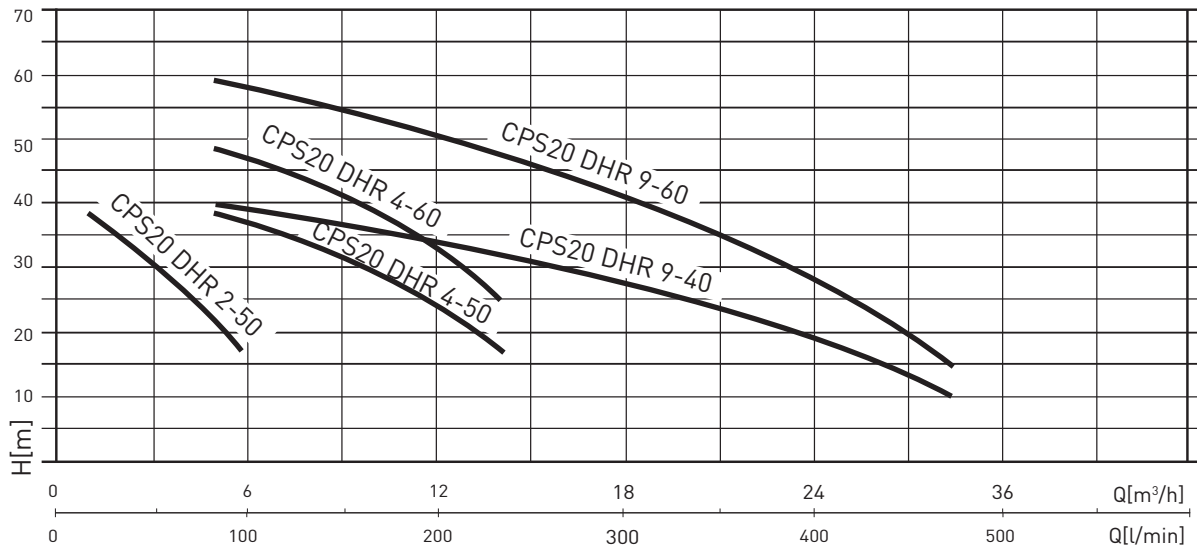
MODEL	Dimensions (mm)								Weight kg
	L1	L2	H1	H2	H3	P1	DNA	DNM	
CPS20/MULTINOX-XC 80/48	570	310	159	365	535	610	1 1/2"	1 1/2"	41
CPS20/MULTINOX-XC 120/45	570	310	159	365	535	635	1 1/2"	1 1/2"	45
CPS20/MULTINOX-XC 120/60	570	310	159	365	535	645	1 1/2"	1 1/2"	48
CPS20/MULTINOX-A 200/40	650	370	170	485	690	690	2"	2"	70
CPS20/MULTINOX-A 200/65	670	370	170	485	690	695	2"	2"	75
CPS20/MULTINOX-A 200/80	670	370	170	485	690	725	2"	2"	83
CPS20/MULTINOX-VE 200/40	460	320	40	183	450	740	2"	2"	60
CPS20/MULTINOX-VE 200/65	460	320	40	243	450	740	2"	2"	70
CPS20/MULTINOX-VE 200/80	460	320	40	260	450	740	2"	2"	79



NOCCHI CPS20 DHR

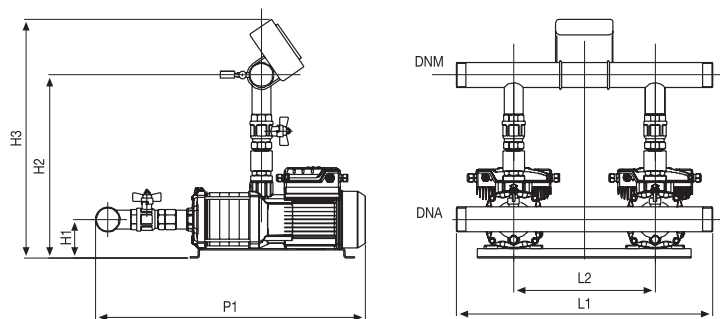
VARIABLE SPEED PRESSURE BOOSTER SETS WITH TWO PUMPS

HYDRAULIC PERFORMANCE



PERFORMANCE TABLE

MODEL	P1		Volt	In (A)	Q	L/min															
	HP	kW				20	40	60	80	100	120	160	200	240	320	400	480				
						m³/h	1.2	2.4	3.6	4.8	6.0	7.2	9.6	12.0	14.4	19.2	24.0	28.8			
CPS20/DHR 2-50	2x1	2x1.0	1 ~ 230	2x5.5	m.c.a./m.w.c.	39	35	30	23	17											
CPS20/DHR 4-50	2x1.7	2x1.1	1 ~ 230	2x10.6						39	38	35	31	25	17						
CPS20/DHR 4-60	2x2.15	2x1.1	1 ~ 230	2x9.5						49	47	45	41	34	25						
CPS20/DHR 9-40	2x2.15	2x1.1	1 ~ 230	2x9.5						40	39	38	38	35	33	27	19	10			
CPS20/DHR 9-60	2x3.35	2x2.2	1 ~ 230	2x15.8						60	58	57	56	53	49	40	29	14			



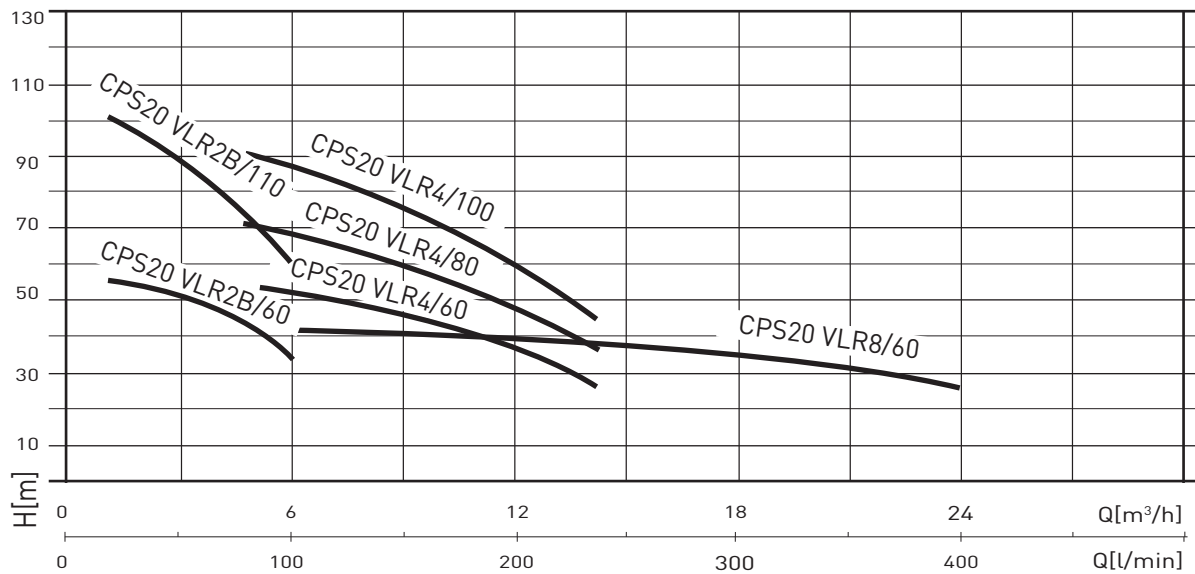
OVERALL DIMENSIONS AND WEIGHTS

MODEL	Dimensions (mm)								Weight kg
	L1	L2	H1	H2	H3	P1	DNA	DNM	
CPS20/DHR 2-50	670	370	100	365	585	700	2"1/2	2"	57
CPS20/DHR 4-50	670	370	100	365	585	700	2"1/3	2"	62
CPS20/DHR 4-60	670	370	100	365	585	700	2"1/4	2"	68
CPS20/DHR 9-40	670	370	100	400	620	700	2"1/5	2"	77
CPS20/DHR 9-60	670	370	100	400	620	700	2"1/2	2"	89

NOCCHI CPS20 VLR

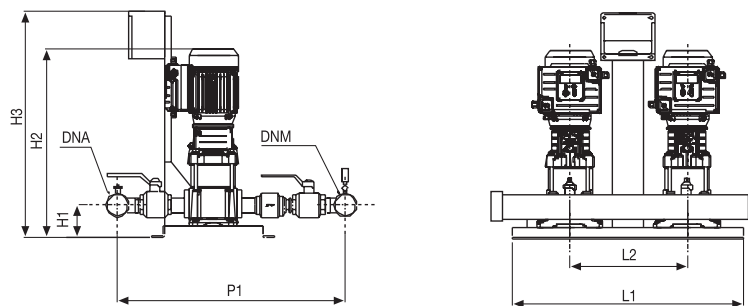
VARIABLE SPEED PRESSURE BOOSTER SETS WITH TWO PUMPS

HYDRAULIC PERFORMANCE



PERFORMANCE TABLE

MODEL	P1		Volt	In [A]	Q	m.c.a./m.w.c.															
	HP	kW				L/min	20	40	60	80	100	120	160	200	240	320	350	400			
						m³/h	1.2	2.4	3.6	4.8	6.0	7.2	9.6	12.0	14.4	19.2	21.0	24.0			
CPS20-VLR2B/60	2x0.752	2x1.0	1 ~ 230	2x6.5	m.c.a./m.w.c.	54	51	46	39	30											
CPS20-VLR2B/110	2x1.5	2x1.1	1 ~ 230	2x10.5		100	94	85	72	55											
CPS20/VLR 4-60	2x1.5	2x1.1	1 ~ 230	2x1.0.4						53	51	49	44	36	27						
CPS20/VLR 4-80	2x1.5	2x1.1	1 ~ 230	2x1.4.2						71	69	66	58	49	35						
CPS20/VLR4-100	2x3	2x2.2	1 ~ 230	2x15.4						89	86	82	73	61	44						
CPS20/VLR 8-40	2x2	2x1.5	1 ~ 230	2x14.2							41	40	39	38	35	32	27	22			



OVERALL DIMENSIONS AND WEIGHTS

MODEL	Dimensions (mm)								Weight kg
	L1	L2	H1	H2	H3	P1	DNA	DNM	
CPS20-VLR2B/60	600	370	80	633	700	620	2"	2"	60
CPS20-VLR2B/110	600	370	80	723	700	620	2"	2"	60
CPS20/VLR 4-60	600	370	75	687	810	660	2"	2"	70
CPS20/VLR 4-80	600	370	75	788	810	660	2"	2"	73
CPS20/VLR4-100	600	370	75	842	810	660	2"	2"	89
CPS20/VLR 8-40	620	370	100	785	820	700	2" 1/2	2" 1/2	110