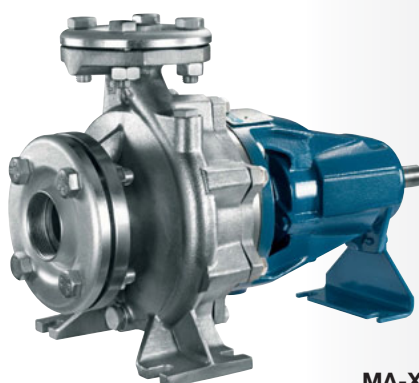


MA-X



MA



MA-X



Hoogindsestraat 5
 NL - 5447 PD Rijkevoort
 Nederland
 T : +31 (0) 485 - 371318
 F : +31 (0) 485 - 371918
 info@pompentechniek.nl
 www.pompentechniek.nl

GENERALITA' / FEATURES

Pompe centrifughe monostadio normalizzate a norma EN 733 adatte per le più svariate esigenze in campo civile, agricolo, industriale o impiantistico in generale. Possono essere accoppiate a motori a 2 e 4 poli. Disponibile anche in vernice inox AISI 304.

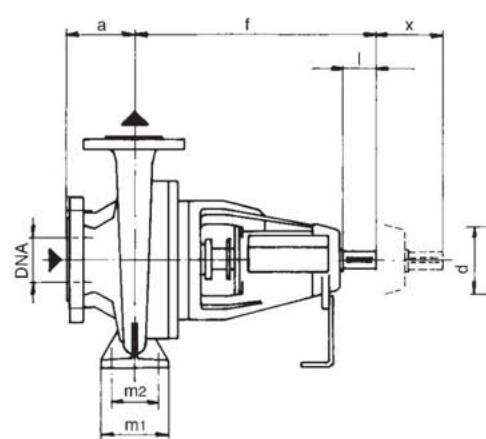
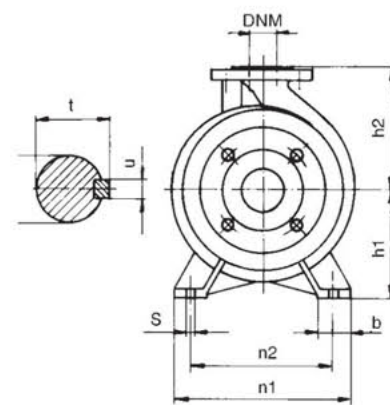
Single stage centrifugal pumps EN 733 Standards. Suitable for most fields: civil, industrial, agricultural. They can be coupled with both 2 and 4 pole motors. Also available in AISI 304 version.

MATERIALI / MATERIALS

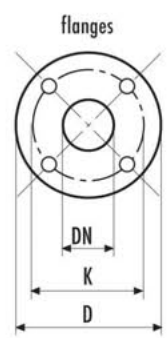
- Corpo pompa e girante in ghisa (a richiesta girante in bronzo e corpo girante acciaio AISI 316 (MA-X))
- Albero in acciaio inox AISI 304
- Tenuta meccanica in ceramica grafite
- Impeller: pump body and motor bracket cast-iron (bronze impeller and stainless AISI 316 pump body and impeller (MA-X) upon request)
- Motor shaft: stainless steel AISI 304
- Ceramic graphite mechanical seal

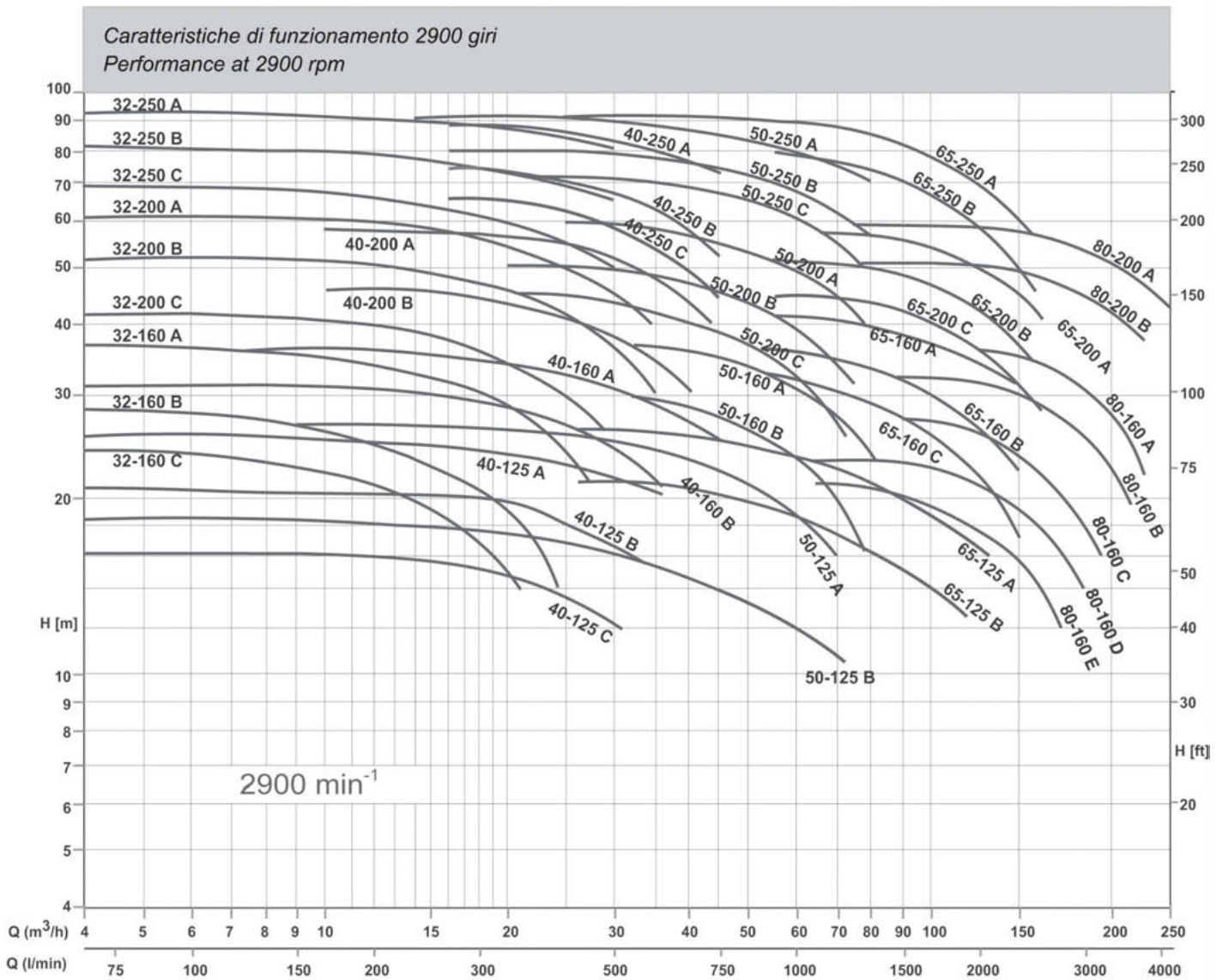
LIMITI DI IMPIEGO / OPERATING CONDITIONS

- Pressione massima: 10 bar
- Temperatura liquido max: 90° C



DIMENSIONI mm DIMENSIONS mm				
DN	D	K	holes	
			n°	∅
32	140	100	4	18
40	150	110	4	18
50	165	125	4	18
65	185	145	4	18
80	200	160	4	18
100	220	180	8	18





MODELLO POMPA PUMP'S MODEL	DIMENSIONI POMPA mm PUMP'S DIMENSIONS mm																	
	DNA	DNM	a	f	h1	h2	m1	m2	n1	n2	s	b	l	d	t	u	x	w
MA-X-4MA-X 32-160	50	32	80	360	132	160	100	70	240	190	14	50	50	24	27	8	100	260
MA-X-4MA-X 32-200			80	360	160	180	100	70	240	190	14	50	50	24	27	8	100	260
MA-X-4MA-X 32-250			100	360	180	225	125	95	320	250	14	65	50	24	27	8	100	260
MA-X-4MA-X 40-125	65	40	80	360	112	140	100	70	210	160	14	50	50	24	27	8	100	260
MA-X-4MA-X 40-160			80	360	132	160	100	70	240	190	14	50	50	24	27	8	100	260
MA-X-4MA-X 40-200			100	360	160	180	100	70	265	212	14	50	50	24	27	8	100	260
MA-X-4MA-X 40-250	65	50	100	360	180	225	125	95	320	250	14	65	50	24	27	8	100	260
MA-X-4MA-X 50-125			100	360	132	160	100	70	240	190	14	50	50	24	27	8	100	260
MA-X-4MA-X 50-160			100	360	160	180	100	70	265	212	14	50	50	24	27	8	100	260
MA-X-4MA-X 50-200	65	50	100	360	160	200	100	70	265	212	14	50	50	24	27	8	100	260
MA-X-4MA-X 50-250			100	360	180	225	125	95	320	250	14	65	50	24	27	8	100	260
MA-X-4MA-X 65-125			100	360	160	180	125	95	280	212	14	65	50	24	27	8	100	260
MA-X-4MA-X 65-160	80	65	100	360	160	200	125	95	280	212	14	65	50	24	27	8	100	260
MA-X-4MA-X 65-200			100	360	180	225	125	95	320	250	14	65	50	24	27	8	140	260
MA-X-4MA-X 65-250			100	470	200	250	160	120	360	280	19	80	80	32	35	10	140	260
MA-X-4MA-X 65-315	100	80	125	470	225	280	160	120	400	315	19	80	80	32	35	10	140	340
MA-X-4MA-X 80-160			125	360	180	225	125	95	320	250	14	65	50	24	27	8	140	260
MA-X-4MA-X 80-200			125	470	180	250	125	95	345	280	14	65	80	32	35	10	140	340