

Immersion Pumps (S)TC63

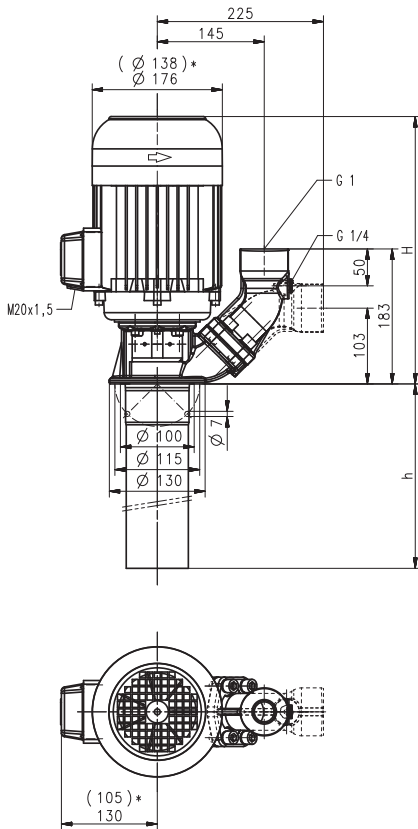
Closed impellers



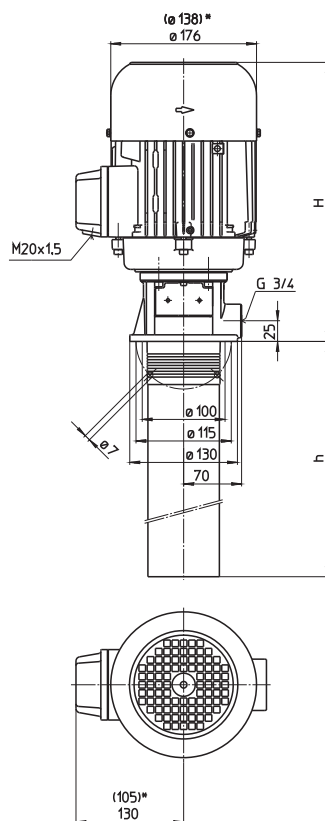
Hoogeindsestraat 5
NL - 5447 PD Rijkevoort
Nederland
T : +31 (0) 485 - 371318
F : +31 (0) 485 - 371918



STC63/270...750



TC63/270...750



*) Dimensions for (S)TC63/270...350

| Type | Vol. del. at manom. del. head l/min / m | Height H mm | Depth of im- mersion h mm | Weight kg | Power kW | Voltage 3 ~ V | Fre- quen- cy Hz | Current A | Speed 1/min |
|-------------|--|----------------|---------------------------------|--------------|-------------|---------------------|---------------------------|--------------|----------------|
| (S)TC63/270 | 60/20 | 276 | 275 | 11 | 0.63 | 220-240 | 50 | 2.6 | 2750 |
| | | | | | | 380-420 | 50 | 1.5 | 2750 |
| | | | | | | 460 | 60 | 1.5 | 3250 |
| (S)TC63/350 | 60/30 | 318 | 340 | 15 | 0.92 | 220-240 | 50 | 3.8 | 2840 |
| | | | | | | 380-415 | 50 | 2.2 | 2840 |
| | | | | | 1.06 | 460 | 60 | 2.1 | 3440 |
| (S)TC63/440 | 60/40 | 367 | 440 | 22 | 1.3 | 220-240 | 50 | 4.85 | 2900 |
| | | | | | | 380-415 | 50 | 2.80 | 2900 |
| | | | | | 1.49 | 460 | 60 | 2.7 | 3500 |
| (S)TC63/560 | 60/55 | 425 | 565 | 28 | 1.9 | 220-240 | 50 | 6.84 | 2900 |
| | | | | | | 380-415 | 50 | 3.95 | 2900 |
| | | | | | 2.18 | 460 | 60 | 3.9 | 3500 |
| (S)TC63/745 | 60/77 | 425 | 755 | 30 | 2.2 | 220-240 | 50 | 7.8 | 2890 |
| | | | | | | 380-415 | 50 | 4.5 | 2890 |
| | | | | | 2.55 | 460 | 60 | 4.4 | 3480 |
| (S)TC63/750 | 60/90 | 425 | 755 | 31 | 2.6 | 220-240 | 50 | 9.30 | 2880 |
| | | | | | | 380-415 | 50 | 5.35 | 2880 |
| | | | | | 2.94 | 460 | 60 | 5.1 | 3480 |

Immersion Pumps

Our multistage pump models (S)TC25... (S)TC460 have been especially developed to supply **internally cooled tools** with coolant fluid.

Closed impellers provide optimal hydraulic efficiencies while minimizing power consumption.

A **frequency converter** can be supplied for **special applications** or for matching the pump characteristic to a specific duty point.

See page "Control/Regulation" in the Technical Information section of this catalog for further information.

Extended length is possible. See medium pressure pumps features within the technical information section.

Applications

- Types of fluid
 - Industry water
 - coolants
 - cooling/cutting oils
- Kinematic viscosity
 - ...45 mm²/s (45 cSt)
- Pumping temperature
 - 0...60° C

Construction

| | |
|-----------------|-----------|
| Pump body | cast iron |
| Pump shell | steel |
| Cover | PBTP |
| Intake strainer | steel |
| Impellers | PBTP |
| Shaft | steel |
| Mechanical seal | SiC |
| O-rings | Viton |

| | |
|----------------|------------|
| Optional: | |
| Pump body | CrNi-steel |
| Threaded inlet | G 1 ¼ |

| | |
|---------------------------|--------|
| Noise level | |
| (S)TC63/270...(S)TC63/350 | 58 dBA |
| (S)TC63/440...(S)TC63/750 | 63 dBA |

