

Immersion Pumps (S)TC40

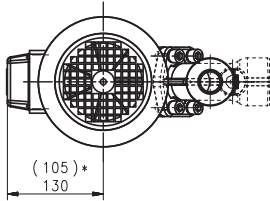
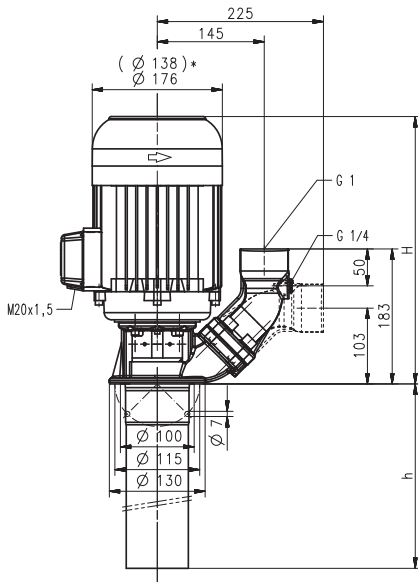
Closed impellers



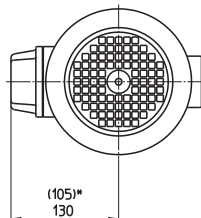
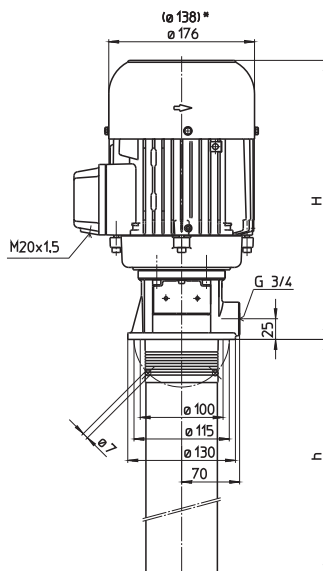
Hoogindsestraat 5
NL - 5447 PD Rijkevoort
Nederland
T : +31 (0) 485 - 371318
F : +31 (0) 485 - 371918



STC40/260...720



TC40/260...720



*) Dimensions for (S)TC40/260...550

Type	Vol. del. at manom. del. head l/min / m	Height H mm	Depth of im- mersion h mm	Weight kg	Power kW	Voltage 3 ~ V	Fre- quen- cy Hz	Current A	Speed 1/min
(S)TC40/260	25/27	276	260	11	0.42	220-240	50	1.4	2800
						380-420	50	0.8	2800
						460	60	0.8	3300
(S)TC40/340	25/40	276	335	12	0.5	220-240	50	2.42	2800
						380-420	50	1.40	2800
						460	60	1.40	3300
(S)TC40/430	25/60	318	430	15	0.85	220-240	50	3.64	2850
						380-415	50	2.10	2850
					0.98	460	60	2	3450
(S)TC40/550	25/80	345	550	16.5	1.1	220-240	50	4.33	2850
						380-415	50	2.50	2850
					1.27	460	60	2.4	3440
(S)TC40/715	25/95	367	720	24	1.5	220-240	50	5.5	2880
						380-415	50	3.2	2880
					1.75	460	60	3.1	3470
(S)TC40/720	25/120	393	720	26.5	1.7	220-240	50	6.24	2890
						380-415	50	3.60	2890
					1.95	460	60	3.5	3480

Immersion Pumps

Our multistage pump models (S)TC25... (S)TC460 have been especially developed to supply **internally cooled tools** with coolant fluid.

Closed impellers provide optimal hydraulic efficiencies while minimizing power consumption.

A **frequency converter** can be supplied for **special applications** or for matching the pump characteristic to a specific duty point.

See page "Control/Regulation" in the Technical Information section of this catalog for further information.

Extended length is possible. See medium pressure pumps features within the technical information section.

Applications

- Types of fluid
 - Industry water
 - coolants
 - cooling/cutting oils
- Kinematic viscosity
 - ...25 mm²/s (25 cSt)
- Pumping temperature
 - 0...60° C

Construction

Pump body	cast iron
Pump shell	steel
Cover	PBTP
Intake strainer	steel
Impellers	PBTP
Shaft	steel
Mechanical seal	SiC
O-rings	Viton

Optional:	
Pump body	CrNi-steel
Threaded inlet	G 1 ¼

Noise level	
(S)TC40/260...(S)TC40/550	58 dBA
(S)TC40/715...(S)TC40/720	63 dBA

