

Immersion Pumps (S)TC25

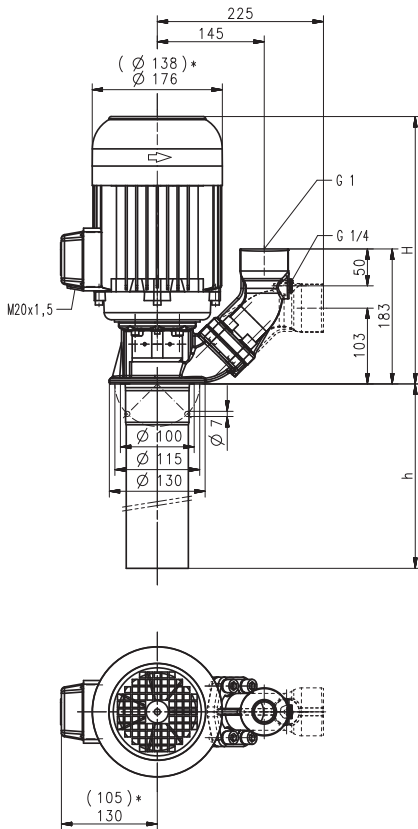
Closed impellers



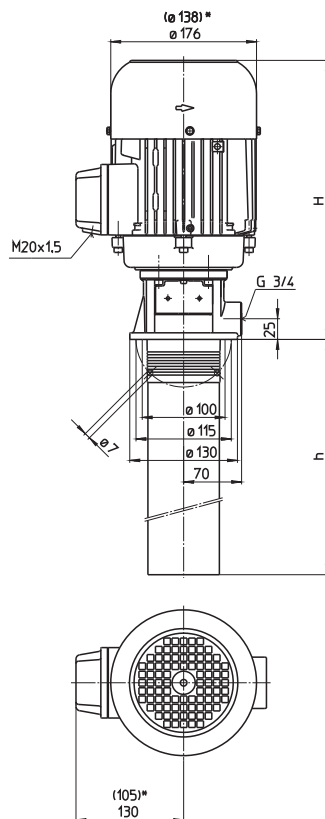
Hoogeindsestraat 5
NL - 5447 PD Rijkevoort
Nederland
T : +31 (0) 485 - 371318
F : +31 (0) 485 - 371918



STC25/260...810



TC25/260...810



*) Dimensions for (S)TC25/260...805

Type	Vol. del. at manom. del. head l/min / m	Height H mm	Depth of immersion h mm	Weight kg	Power kW	Voltage 3~ V	Frequency Hz	Current A	Speed 1/min
(S)TC25/260	10/28	276	260	10.5	0.38	220-240	50	1.75	2750
						380-420	50	1.00	2750
						460	60	1.00	3250
(S)TC25/340	10/45	276	335	11.5	0.5	220-240	50	2.42	2800
						380-420	50	1.40	2800
						460	60	1.40	3300
(S)TC25/430	10/63	276	430	12.5	0.63	220-240	50	2.6	2750
						380-420	50	1.5	2750
						460	60	1.5	3250
(S)TC25/550	10/85	345	565	16.5	1.1	220-240	50	4.33	2850
						380-415	50	2.50	2850
					1.27	460	60	2.4	3440
(S)TC25/805	10/110	345	810	18.5	1.1	220-240	50	4.33	2850
						380-415	50	2.50	2850
					1.27	460	60	2.4	3440
(S)TC25/810	10/140	367	810	25	1.5	220-240	50	5.5	2880
						380-415	50	3.2	2880
					1.75	460	60	3.1	3470

Immersion Pumps

Our multistage pump models (S)TC25... (S)TC460 have been especially developed to supply **internally cooled tools** with coolant fluid.

Closed impellers provide optimal hydraulic efficiencies while minimizing power consumption.

A **frequency converter** can be supplied for **special applications** or for matching the pump characteristic to a specific duty point.

See page "Control/Regulation" in the Technical Information section of this catalog for further information.

Extended length is possible. See medium pressure pumps features within the technical information section.

Applications

- Types of fluid
 - Industry water
 - coolants
 - cooling/cutting oils
- Kinematic viscosity
 - ...25 mm²/s (25 cSt)
- Pumping temperature
 - 0...60° C

Construction

Pump body	cast iron
Pump shell	steel
Cover	PBTP
Intake strainer	steel
Impellers	PBTP
Shaft	steel
Mechanical seal	SiC
O-rings	Viton

Optional:	
Pump body	CrNi-steel
Threaded inlet	G 1 ¼

Noise level	
(S)TC25/260...(S)TC25/805	58 dBA
(S)TC25/810	63 dBA

