

# Suction Immersion Pumps TAS/STS301...1001

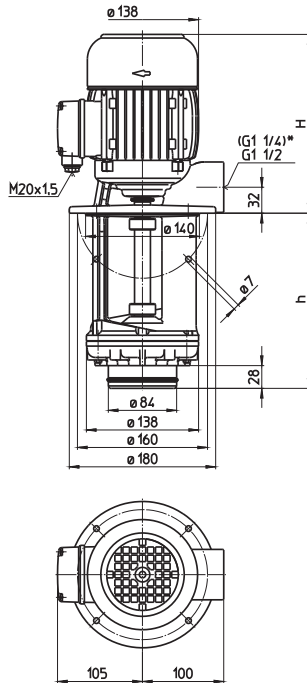
Axial/semi-open impellers



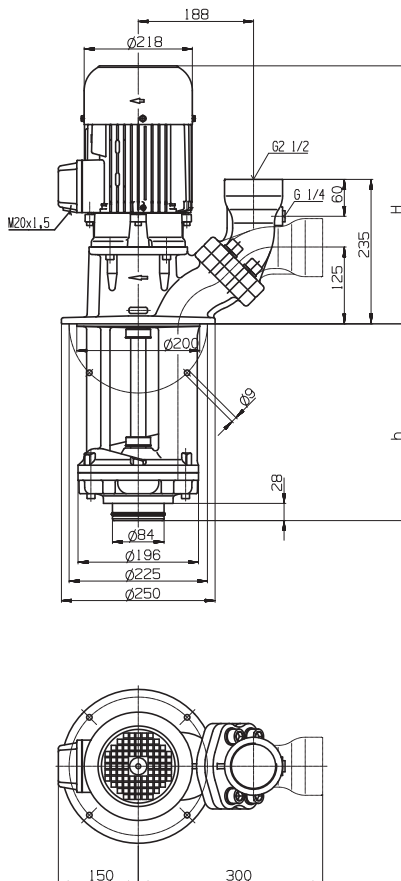
Hoogeindsestraat 5  
NL - 5447 PD Rijkevoort  
Nederland  
T : +31 (0) 485 - 371318  
F : +31 (0) 485 - 371918



## TAS301, 401 TAS601



## STS1001



\*) Dimensions for TAS301

Type	Vol. del. at manom. del. head l/min / m	Height H mm	Depth of im- mersion h mm	Weight kg	Power kW	Voltage 3 ~ V	Fre- quen- cy Hz	Current A	Speed 1/min	
<b>TAS301/140</b>	200/5	223	136	13.5	0.55	220-240	50	2.50	2750	
220			216	14.0						
290			286	14.5		380-420	50	1.45		2750
370			366	15.0						
460			456	17.0		460	60	1.45		3250
570			566	18.5						
<b>TAS401/140</b>	250/5	264	136	14.5	0.85	220-240	50	3.64	2850	
220			216	15.5						
290			286	16.5	0.98	460	60	2	3450	
370			366	17.5						
460			456	18.5						
570			566	19.5						
<b>TAS601/150</b>	400/4	291	144	17.5	1.1	220-240	50	4.33	2850	
230			224	18.0						
300			294	19.0	1.27	460	60	2.4	3440	
380			374	20.0						
470			464	21.5						
580			574	22.5						
<b>STS1001/230</b>	600/14	503	216	65	3.3	220-240	50	11.6	2930	
330			316	67						
460			446	70	3.8	460	60	6.4	3520	
580			566	74						
780			766	86						
1010			996	92						

### Suction Immersion Pumps

series TAS/STS make it possible to connect to vacuum filters through their simple connection on the suction side (for instance, with a slot screen).

Suction immersion pumps without seals are positioned in the area of unfiltered coolant in the tank.

With their robust design, they allow operating pressures of - 0.3 bar to - 0.5 bar on the suction side.

The STS serie offers a flange with pressure gauge connection port.

The flange can be rotated for either horizontal or vertical pipe connections.



All types specified are also available as multistage pumps e.g. STS304/610.  
See series TA/STA.

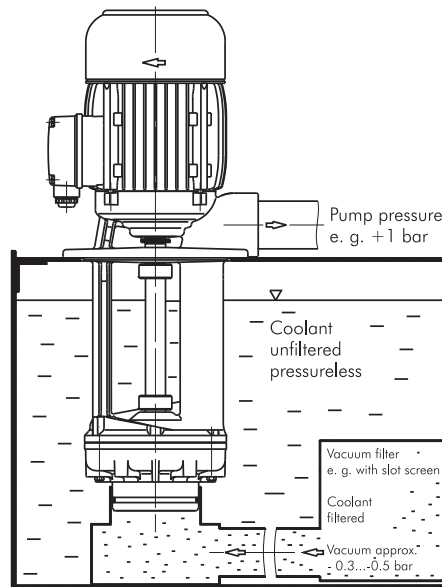
### Applications

Types of fluid  
coolants  
cooling/cutting oils  
Kinematic viscosity  
...45 mm<sup>2</sup>/s (45 cSt)  
Pumping temperature  
0...60° C

### Construction

Pump body	cast iron
Cover	cast iron
Impeller axial	cast steel
Impeller radial	brass
	cast steel (STS1001)
Shaft	steel
Optional: Impeller radial	cast steel (TAS301...TAS601)

Noise level	
TAS301	60 dBA
TAS401...TAS601	62 dBA
STS1001	71 dBA



### Suction connection

Intake cover cast iron  
with O-Ring 78 x 4 mm Viton

for  
Connecting pipe  
86.0...86.8 mm inner-Ø

