

Quick Suctioning Immersion Pumps

TAL/SAL301...306

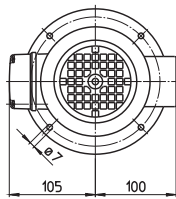
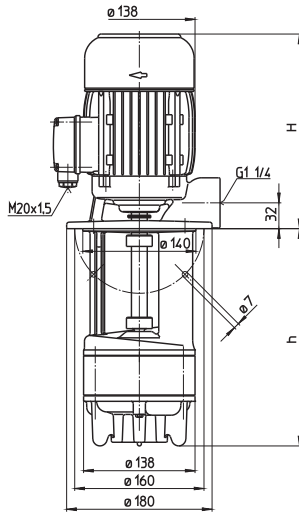
Axial/semi-open impellers

Jansen

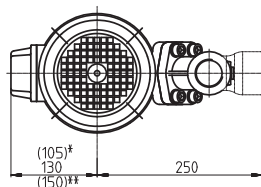
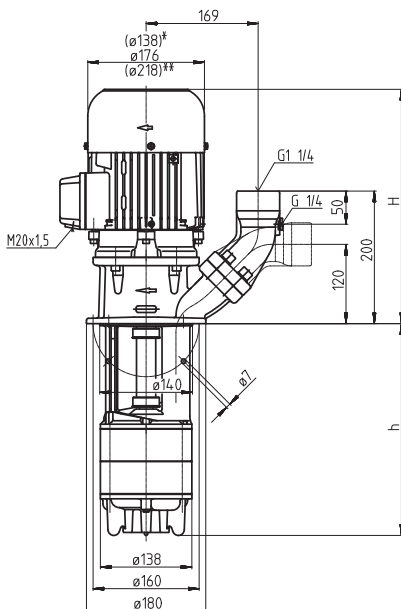


Hoogheindsestraat 5
NL - 5447 PD Rijkevoort
Nederland
T : +31 (0) 485 - 371318
F : +31 (0) 485 - 371918

TAL302



SAL301...306



*) Dimensions for SAL301, 302

**) Dimensions for SAL306

Type	Vol. del. at manom. del. head l/min / m	Height H mm	Depth of im- mersion h mm	Weight kg	Power kW	Voltage 3 ~ V	Fre- quen- cy Hz	Current A	Speed 1/min
TAL302/190	160/12	291	190	20.5	1.1	220-240	50	4.33	2850
270			270	21.0					
340			340	21.5					
420			420	22.5	1.27	460	60	2.4	3440
510			510	24.0					
620			620	25.5					
SAL301/140	160/7	293	140	20	0.54	220-240	50	2.42	2800
220			220	21					
290			290	22					
370			370	23	1.27	460	60	1.40	3300
460			460	25					
570			570	29					
SAL302/190	160/12	361	190	26.5	1.1	220-240	50	4.33	2850
270			270	27.5					
340			340	28.5					
420			420	30.0	1.27	460	60	2.4	3440
510			510	31.5					
620			620	33.5					
SAL303/240	160/18	380	240	37	1.5	220-240	50	5.5	2880
320			320	38					
390			390	39					
470			470	40	1.75	460	60	3.1	3470
560			560	41					
670			670	43					
870			870	49					
1020			1020	51					
SAL304/290	160/24	439	290	46					
370			370	47					
440			440	48					
520			520	50	2.18	460	60	3.9	3500
610			610	51					
720			720	53					
920			920	59					
1070			1070	61					
SAL305/340	160/29	439	340	51					
420			420	52					
490			490	53					
570			570	54	2.94	460	60	5.1	3480
660			660	55					
770			770	57					
970			970	64					
1120			1120	66					
SAL306/390	160/37	478	390	64					
470			470	65					
540			540	66					
620			620	67	3.8	460	60	6.4	3520
710			710	68					
820			820	70					
1020			1020	77					

Quick Suctioning Immersion Pumps

equipped with the patented "BRINKMANN" s Suction De-aeration System" are excellently suited to pumping **extremely air entrained fluids** (emulsions resp. cooling/cutting oils) as they occur in heavy cutting when turning, milling or grinding.

The quick suctioning immersion pumps reach stable working conditions as soon as the liquid level reaches the suction inlet.

The SAL serie offers a (SAE) flange with pressure gauge connection port. The flange can be rotated for either horizontal or vertical pipe connections.

Applications

Types of fluid
coolants
cooling/cutting oils
Kinematic viscosity
...45 mm²/s (45 cSt)
Pumping temperature
0...80° C

Construction

Pump body	cast iron
Cover	cast iron
Impeller axial	cast steel
Impeller radial	brass
Shaft	steel
Optional: Impeller radial	cast steel

