

# Immersion Pumps TA160...600

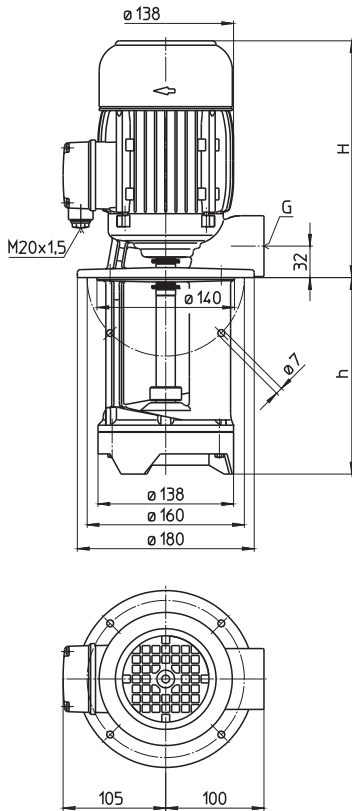
## Semi-open impellers



Hoogeindsestraat 5  
NL - 5447 PD Rijkevoort  
Nederland  
T : +31 (0) 485 - 371318  
F : +31 (0) 485 - 371918



### TA160, 250, 400 TA600



Type	Vol. del. at manom. del. head l/min / m	Height H mm	Depth of im- mersion h mm	Pipe con- nection	Weight kg	Power kW	Voltage 3~ V	Fre- quen- cy Hz	Current A	Speed 1/min
<b>TA160/200</b>	220/2	223	200	G 1 ¼	12.5	0.5	220-240	50	2.42	2800
	270		270		13.5		380-420	50	1.40	2800
	350		350		14.5	460	60	1.40	3300	
	440		440		16.0					
	550		550		17.5					
<b>TA250/200</b>	280/2	223	200	G 1 ¼	12.5	0.63	220-240	50	2.6	2750
	270		270		13.5		380-420	50	1.5	2750
	350		350		14.5	460	60	1.5	3250	
	440		440		16.0					
	550		550		17.5					
<b>TA400/200</b>	380/2	264	200	G 1 ½	14.5	0.85	220-240	50	3.64	2850
	270		270		16.0		380-415	50	2.10	2850
	350		350		17.5	0.98	460	60	2	3450
	440		440		19.0					
	550		550		20.5					
<b>TA600/210</b>	500/2	291	210	G 1 ½	17.0	1.1	220-240	50	4.33	2850
	280		280		18.5		380-415	50	2.50	2850
	360		360		19.5	1.27	460	60	2.4	3440
	450		450		21.0					
	560		560		22.5					

**Immersion Pumps**

are plain centrifugal pumps with the impeller fitted on the driving shaft extension. They are mounted on top of the container, the pump extension being immersed in the coolant. The dimensions are based on standard specification EN 12157. The maximum coolant level must stay a few mm/inches below the mounting flange.

**Applications**

Types of fluid  
coolants  
cooling/cutting oils  
Kinematic viscosity  
...45 mm<sup>2</sup>/s (45 cSt)  
Pumping temperature  
0...60° C  
higher temperatures upon request

**Construction**

Pump body	cast iron
Cover	POM cast iron (TA600)
Impeller	POM brass (TA600)
Shaft	steel
Optional: Cover	cast iron (TA160...TA400) with threaded inlet
Suction cover Impeller	brass (TA160...TA400) cast steel (TA160...TA600)

Noise level  
TA160...TA250 60 dBA  
TA400...TA600 62 dBA

