

Immersion Pumps STA901...904

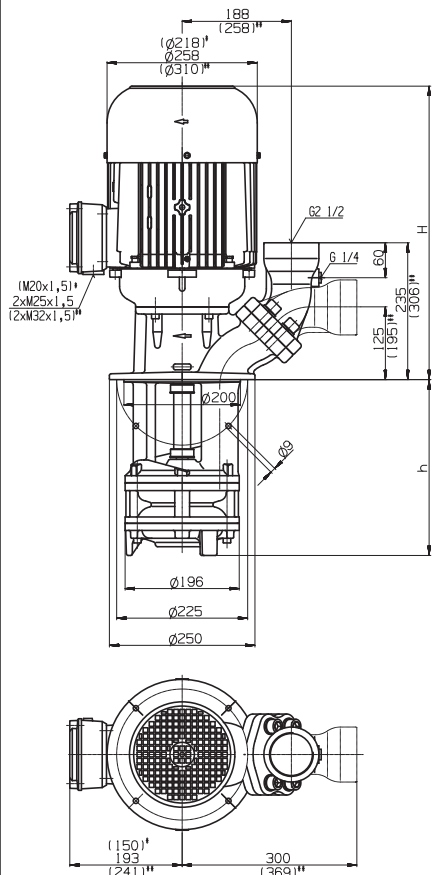
Semi-open impellers



Hoogindsestraat 5
NL - 5447 PD Rijkevoort
Nederland
T : +31 (0) 485 - 371318
F : +31 (0) 485 - 371918



STA901, 902 STA903, 904



*) Dimensions for STA901
**) Dimensions for STA904

Type	Vol. del. at manom. del. head l/min / m	Height H mm	Depth of immersion h mm	Weight kg	Power kW	Voltage 3 ~ V	Fre- quen- cy Hz	Current A	Speed 1/min
STA901/200	600/12	503	200	61	3.3	220-240	50	11.6	2930
300			300	65		380-415	50	6.7	2930
430			430	68					
550			550	72	3.8	460	60	6.4	3520
750			750	85					
980			980	91					
1100			1100	95					
STA902/270	600/24	574	270	98	6.0	380-415	50	11.2	2950
370			370	102					
500			500	105	6.9	460	60	10.7	3550
620			620	108					
820			820	121					
1050			1050	127					
1170			1170	133					
STA903/340	600/38	612	340	119	9.0	380-415	50	16.7	2955
440			440	122					
570			570	126	10.3	460	60	15.8	3550
690			690	130					
890			890	143					
1120			1120	149					
STA904/410	600/55	620	410	150	11.0	380-415	50	20.1	2960
510			510	153					
640			640	157	12.6	460	60	19.5	3560
760			760	161					
960			960	176					
1190			1190	180					

Immersion Pumps

are plain centrifugal pumps with the impeller fitted on the driving shaft extension. They are mounted on top of the container, the pump extension being immersed in the coolant.

The maximum coolant level must stay a few mm/inches below the mounting flange.

The STA serie offers a **flange** with pressure gauge connection port.

The flange can be rotated for either horizontal or vertical pipe connections.



All types are also available as quick-suctioning immersion pumps equipped with "BRINKMANN's Suction De-aeration System". See series SAL.

Applications

Types of fluid
coolants
cooling/cutting oils
Kinematic viscosity
...45 mm²/s (45 cSt)
Pumping temperature
0...80° C
higher temperatures upon request

Construction

Pump body	cast iron
Cover	cast iron
Impellers	cast steel
Shaft	steel
Optional:	
Suction cover	with threaded inlet
Other materials	on request
Noise level	
STA901	71 dBA
STA902...STA904	74 dBA

