

# Immersion Pumps STA601...608

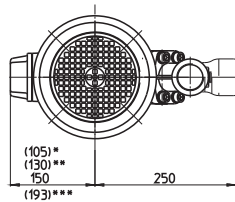
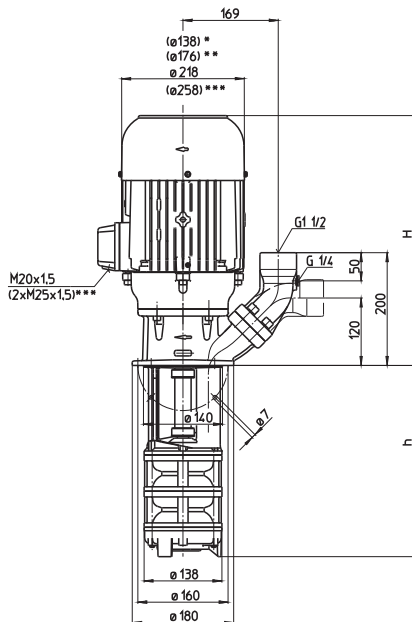
## Semi-open impellers



Hoogindsestraat 5  
NL - 5447 PD Rijkevoort  
Nederland  
T : +31 (0) 485 - 371318  
F : +31 (0) 485 - 371918



### STA601...608



- \*) Dimensions for STA601
- \*\*) Dimensions for STA602
- \*\*\*) Dimensions for STA607, 608

Type	Vol. del. at manom. del. head l/min / m	Height H mm	Depth of im- mersion h mm	Weight kg	Power kW	Voltage 3 ~ V	Fre- quen- cy Hz	Current A	Speed 1/min
<b>STA601/130</b>	400/4	361	130	23	1.1	220-240	50	4.33	2850
<b>210</b>			210	24					
<b>280</b>			280	25	1.27	460	60	2.4	3440
<b>360</b>			360	26					
<b>450</b>			450	27					
<b>560</b>			560	29					
<b>760</b>			760	35					
<b>910</b>			910	36					
<b>STA602/200</b>	400/11	439	195	39					
<b>280</b>			275	40					
<b>350</b>			345	41	2.55	460	60	4.4	3480
<b>430</b>			425	42					
<b>520</b>			515	44					
<b>630</b>			625	46					
<b>830</b>			825	53					
<b>980</b>			975	54					
<b>STA603/260</b>	400/17	478	260	53					
<b>340</b>			340	54					
<b>410</b>			410	55	3.8	460	60	6.4	3520
<b>490</b>			490	56					
<b>580</b>			580	58					
<b>690</b>			690	59					
<b>890</b>			890	66					
<b>1040</b>			1040	68					
<b>STA604/330</b>	400/23	508	325	62					
<b>410</b>			405	63					
<b>480</b>			475	65	5.75	460	60	9.5	3520
<b>560</b>			555	66					
<b>650</b>			645	67					
<b>760</b>			755	68					
<b>960</b>			955	75					
<b>1110</b>			1105	77					
<b>STA605/390</b>	400/32	508	390	65					
<b>470</b>			470	66					
<b>540</b>			540	67	6.3	460	60	10.4	3510
<b>620</b>			620	68					
<b>710</b>			710	70					
<b>820</b>			820	72					
<b>1020</b>			1020	78					
<b>STA607/520</b>	400/45	587	520	102					
<b>600</b>			600	103					
<b>670</b>			670	104	8.6	460	60	13.7	3550
<b>750</b>			750	106					
<b>840</b>			840	107					
<b>950</b>			950	109					
<b>STA608/580</b>	400/60	587	580	112	9.0	380-415	50	16.7	2955
<b>660</b>			660	113					
<b>730</b>			730	114	10.3	460	60	15.8	3550
<b>810</b>			810	115					
<b>900</b>			900	116					
<b>1010</b>			1010	119					

### Immersion Pumps

are plain centrifugal pumps with the impeller fitted on the driving shaft extension. They are mounted on top of the container, the pump extension being immersed in the coolant.

The maximum coolant level must stay a few mm/inches below the mounting flange.

The STA serie offers a (SAE) flange with pressure gauge connection port.

The flange can be rotated for either horizontal or vertical pipe connections.



All types are also available as quick-suctioning immersion pumps equipped with "BRINKMANN's Suction De-aeration System". See series SAL.



All types are also available as suction immersion pump with a connection to the vacuum filters on the suction side. See series STS.

### Applications

Types of fluid  
coolants  
cooling/cutting oils  
Kinematic viscosity  
...45 mm<sup>2</sup>/s (45 cSt)  
Pumping temperature  
0...80° C  
higher temperatures upon request

### Construction

Pump body	cast iron
Cover	cast iron
Impellers	brass
Shaft	steel
Optional: Suction cover	with threaded inlet
Impellers	cast steel

### Noise level

STA601	62 dBA
STA602	66 dBA
STA603...STA605	71 dBA
STA607...STA608	74 dBA

