

# Immersion Pumps STA1600...2500

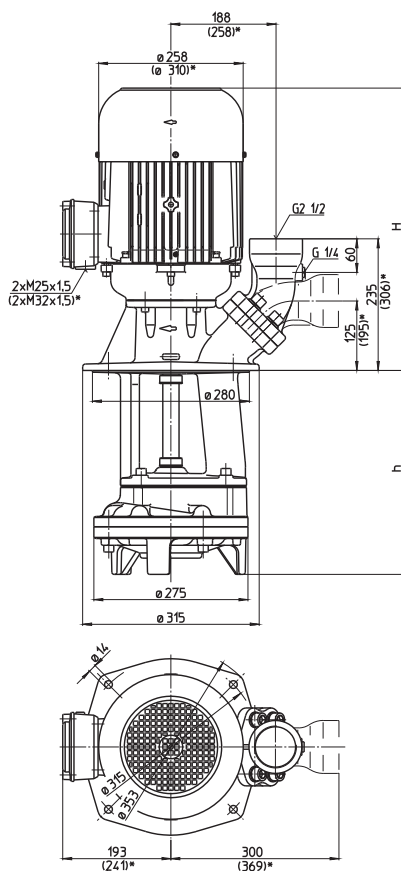
## Semi-open impellers



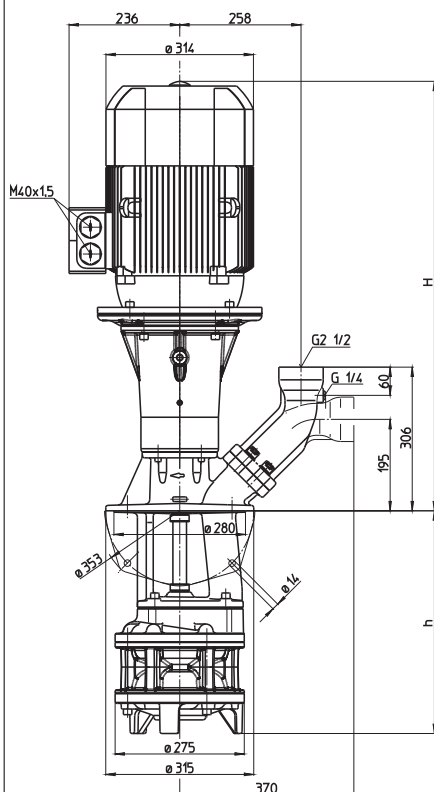
Hoogeindsestraat 5  
NL - 5447 PD Rijkevoort  
Nederland  
T : +31 (0) 485 - 371318  
F : +31 (0) 485 - 371918



### STA1600, 2000



### STA1602...2500



\*) Dimensions for STA2000

| Type               | Vol. del. at manom. del. head<br>l/min / m | Height<br>H mm | Depth of immersion<br>h mm | Weight<br>kg | Power<br>kW | Voltage<br>3~<br>V | Fre-<br>quen-<br>cy<br>Hz | Current<br>A | Speed<br>1/min |
|--------------------|--|----------------|----------------------------|--------------|-------------|--------------------|---------------------------|--------------|----------------|
| <b>STA1600/300</b> | 1300/15                                    | 612            | 300                        | 133          | 9.0         | 380-415            | 50                        | 16.7         | 2955           |
| 430                |  |                | 430                        | 135          |             |                    |                           |              |                |
| 550                |  |                | 550                        | 142          | 10.3        | 460                | 60                        | 15.8         | 3550           |
| 800                |  |                | 800                        | 159          |             |                    |                           |              |                |
| 1050               |  |                | 1050                       | 169          |             |                    |                           |              |                |
| <b>STA2000/300</b> | 1600/15                                    | 620            | 300                        | 157          | 11.0        | 380-415            | 50                        | 20.1         | 2960           |
| 430                |  |                | 430                        | 159          |             |                    |                           |              |                |
| 550                |  |                | 550                        | 166          | 12.6        | 460                | 60                        | 19.5         | 3560           |
| 800                |  |                | 800                        | 183          |             |                    |                           |              |                |
| 1050               |  |                | 1050                       | 186          |             |                    |                           |              |                |
| <b>STA1602/410</b> | 1300/37                                    | 974            | 410                        | 229          | 18.5        | 400                | 50                        | 32           | 2955           |
| 540                |  |                | 540                        | 235          |             |                    |                           |              |                |
| 660                |  |                | 660                        | 239          | 21.3        | 460                | 60                        | 32           | 3555           |
| 910                |  |                | 910                        | 246          |             |                    |                           |              |                |
| 1160               |  |                | 1160                       | 250          |             |                    |                           |              |                |
| <b>STA2002/410</b> | 1600/47                                    | 978            | 410                        | 249          | 22.0        | 400                | 50                        | 37.5         | 2950           |
| 540                |  |                | 540                        | 255          |             |                    |                           |              |                |
| 660                |  |                | 660                        | 259          | 25.3        | 460                | 60                        | 37.5         | 3550           |
| 910                |  |                | 910                        | 266          |             |                    |                           |              |                |
| 1160               |  |                | 1160                       | 270          |             |                    |                           |              |                |
| <b>STA2500/330</b> | 2200/20                                    | 974            | 330                        | 200          | 18.5        | 400                | 50                        | 32           | 2955           |
| 460                |  |                | 460                        | 205          |             |                    |                           |              |                |
| 580                |  |                | 580                        | 210          | 21.3        | 460                | 60                        | 32           | 3555           |
| 830                |  |                | 830                        | 227          |             |                    |                           |              |                |
| 1080               |  |                | 1080                       | 230          |             |                    |                           |              |                |

**Immersion Pumps**

are plain centrifugal pumps with the impeller fitted on the driving shaft extension. They are mounted on top of the container, the pump extension being immersed in the coolant.

The maximum coolant level must stay a few mm/inches below the mounting flange.

The STA serie offers a **flange** with pressure gauge connection port.

The flange can be rotated for either horizontal or vertical pipe connections.



All types are also available as quick-suctioning immersion pumps equipped with "BRINKMANN's Suction De-aeration System". See series SAL.

**Applications**

Types of fluid  
coolants  
cooling/cutting oils  
Kinematic viscosity  
...45 mm<sup>2</sup>/s (45 cSt)  
Pumping temperature  
0...80° C

**Construction**

|                   |            |
|-------------------|------------|
| Pump body         | cast iron  |
| Cover             | cast iron  |
| Impeller          | cast steel |
| Shaft             | steel      |
| Other materials   | on request |
| Noise level       |            |
| STA1600...STA2000 | 74 dBA     |
| STA1602...STA2500 | 78 dBA     |

