

# Immersion Pumps STA1301...1303

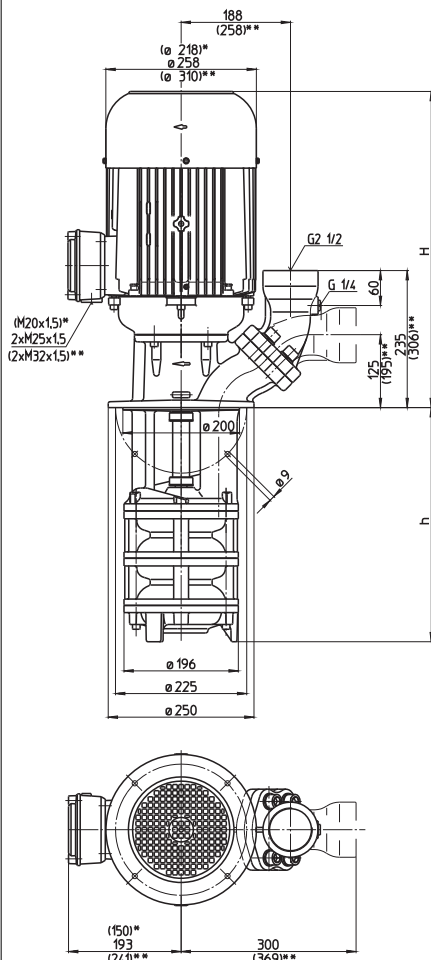
## Semi-open impellers



Hoogeindsestraat 5  
NL - 5447 PD Rijkevoort  
Nederland  
T : +31 (0) 485 - 371318  
F : +31 (0) 485 - 371918



### STA1301, 1302 STA1303



\*) Dimensions for STA1301  
\*\*) Dimensions for STA1303

Type	Vol. del. at manom. del. head l/min / m	Height H mm	Depth of im- mersion h mm	Weight kg	Power kW	Voltage 3 ~ V	Fre- quen- cy Hz	Current A	Speed 1/min
<b>STA1301/210</b>	900/12	533	210	68	5.0	220-240	50	17.3	2920
<b>310</b>			310	71					
<b>440</b>			440	75					
<b>560</b>			560	80	5.75	460	60	9.5	3520
<b>760</b>			760	90					
<b>990</b>			990	97					
<b>1110</b>			1110	100					
<b>STA1302/290</b>	900/27	612	290	108	7.5	380-415	50	14.3	2950
<b>390</b>			390	110					
<b>520</b>			520	113					
<b>640</b>			640	118	8.6	460	60	13.7	3550
<b>840</b>			840	130					
<b>1070</b>			1070	137					
<b>STA1303/370</b>	900/40	620	370	143	11.0	380-415	50	20.1	2960
<b>470</b>			470	146					
<b>600</b>			600	151					
<b>720</b>			720	155	12.6	460	60	19.5	3560
<b>920</b>			920	167					
<b>1150</b>			1150	174					

**Immersion Pumps**

are plain centrifugal pumps with the impeller fitted on the driving shaft extension. They are mounted on top of the container, the pump extension being immersed in the coolant.

The maximum coolant level must stay a few mm/inches below the mounting flange.

The STA serie offers a **flange** with pressure gauge connection port.

The flange can be rotated for either horizontal or vertical pipe connections.



All types are also available as quick-suctioning immersion pumps equipped with "BRINKMANN's Suction De-aeration System". See series SAL.

**Applications**

- Types of fluid
  - coolants
  - cooling/cutting oils
- Kinematic viscosity
  - ...45 mm<sup>2</sup>/s (45 cSt)
- Pumping temperature
  - 0...80° C
  - higher temperatures upon request

**Construction**

Pump body	cast iron
Cover	cast iron
Impellers	cast steel
Shaft	steel
Optional:	
Suction cover	with threaded inlet
Other materials	on request
Noise level	
STA1301	71 dBA
STA1302...STA1303	74 dBA

