

Immersion Pumps STA1001...1006

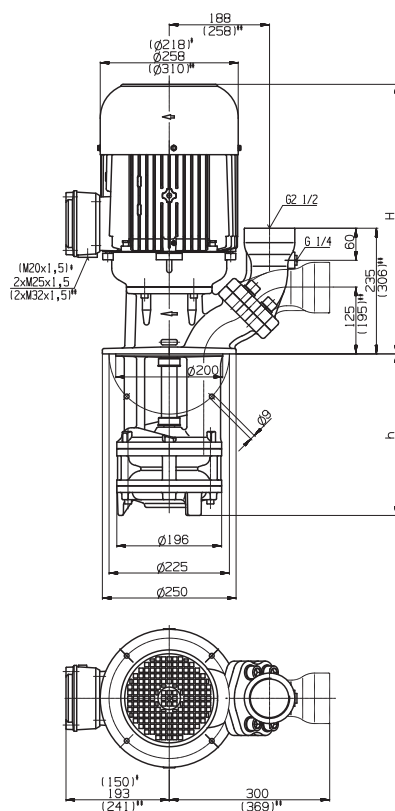
Semi-open impellers



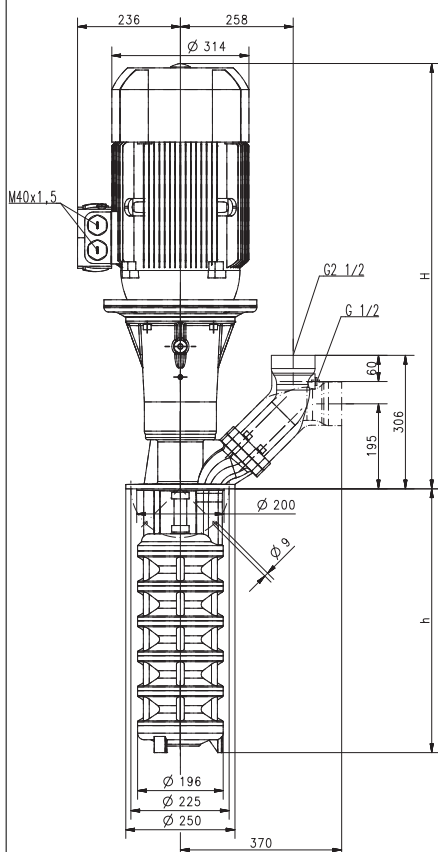
Hoogeindsestraat 5
NL - 5447 PD Rijkevoort
Nederland
T : +31 (0) 485 - 371318
F : +31 (0) 485 - 371918



STA1001...1004



STA1006



*) Dimensions for STA1001
**) Dimensions for STA1004

Type	Vol. del. at manom. del. head l/min / m	Height H mm	Depth of im- mersion h mm	Weight kg	Power kW	Voltage 3 ~ V	Fre- quen- cy Hz	Current A	Speed 1/min
STA1001/210	600/15	503	210	61	3.3	220-240	50	11.6	2930
310			310	64		380-415	50	6.7	2930
440			440	69					
560			560	73					
760			760	85					
990			990	91					
1110			1110	95					
STA1002/290	600/26	574	290	99	6.0	380-415	50	11.2	2950
390			390	102					
520			520	106					
640			640	110					
840			840	122					
1070			1070	129					
1190			1190	133					
STA1003/370	600/40	612	370	121	9.0	380-415	50	16.7	2955
470			470	124					
600			600	128					
720			720	132					
920			920	145					
1150			1150	151					
STA1004/450	600/57	620	450	153	13.0	380-415	50	24.2	2960
550			550	157					
680			680	160					
800			800	163					
1000			1000	175					
1230			1230	178					
STA1006/610	600/86	974	610	202	18.5	400	50	32	2955
710			710	206					
840			840	211					
960			960	215					

Immersion Pumps

are plain centrifugal pumps with the impeller fitted on the driving shaft extension. They are mounted on top of the container, the pump extension being immersed in the coolant.

The maximum coolant level must stay a few mm/inches below the mounting flange.

The STA serie offers a **flange** with pressure gauge connection port.

The flange can be rotated for either horizontal or vertical pipe connections.



All types are also available as quick-suctioning immersion pumps equipped with "BRINKMANN's Suction De-aeration System". See series SAL.



All types are also available as suction immersion pump with a connection to the vacuum filters on the suction side. See series STS.



Applications

Types of fluid
coolants
cooling/cutting oils
Kinematic viscosity
...45 mm²/s (45 cSt)
Pumping temperature
0...80° C
higher temperatures upon request

Construction

Pump body	cast iron
Cover	cast iron
Impellers	cast steel
Shaft	steel
Optional:	
Suction cover	with threaded inlet
Other materials	on request
Noise level	
STA1001	71 dBA
STA1002...STA1004	74 dBA
STA1006	78 dBA

