

Quick Suctioning Immersion Pumps

SGL801...804

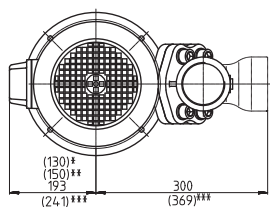
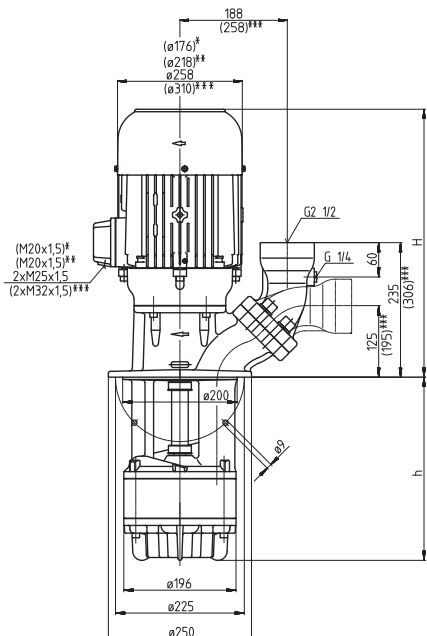
Axial/semi-open impellers

Jansen



Hoogeindsestraat 5
NL - 5447 PD Rijkevoort
Nederland
T : +31 (0) 485 - 371318
F : +31 (0) 485 - 371918

SGL801, 802 SGL803, 804



- *) Dimensions for SGL801
- **) Dimensions for SGL802
- ***) Dimensions for SGL804

Type	Vol. del. at manom. del. head l/min /m	Height H mm	Depth of im- mersion h mm	Weight kg	Power kW	Voltage 3 ~ V	Fre- quen- cy Hz	Current A	Speed 1/min
SGL801/220	500/12	464	220	51	2.6	220-240	50	9.30	2880
320			320	54					
450			450	58					
570			570	62	2.94	460	60	5.1	3480
770			770	74					
1000			1000	81					
SGL802/290	500/25	533	290	76	5.5	220-240	50	18.9	2915
390			390	80					
520			520	83					
640			640	86	6.3	460	60	10.4	3510
840			840	99					
1070			1070	105					
SGL803/360	500/35	612	360	121	9.0	380-415	50	16.7	2955
460			460	124					
590			590	127					
710			710	131	10.3	460	60	15.8	3550
910			910	144					
SGL804/430	500/46	620	430	151	13.0	380-415	50	24.2	2960
530			530	154					
660			660	159					
780			780	162	15.0	460	60	23.6	3560
980			980	177					

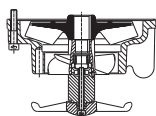
Quick Suctioning Immersion Pumps

series SGL equipped with the patented "BRINKMANN's Suction De-aeration System" are excellently suited to pumping **extremely air entrained fluids** (grinding oils) as they occur in **high-speed grinding**.

The quick suctioning immersion pumps reach stable working conditions as soon as the liquid level reaches the suction inlet.

The SGL serie offers a **flange** with pressure gauge connection port.

The flange can be rotated for either horizontal or vertical pipe connections.



The pump SGL801 is available (upon request) with an additional agitator at the pump suction for breaking up and separating large bundles of chips or birds nests.



Applications

Types of fluid
coolants
cooling/cutting oils
grinding oils
Kinematic viscosity
...45 mm²/s (45 cSt)
Pumping temperature
0...80° C

Construction

Pump body	cast iron
Cover	cast iron
Impeller axial	cast steel
Impeller radial	cast steel
Shaft	steel

