

Quick Suctioning Immersion Pumps

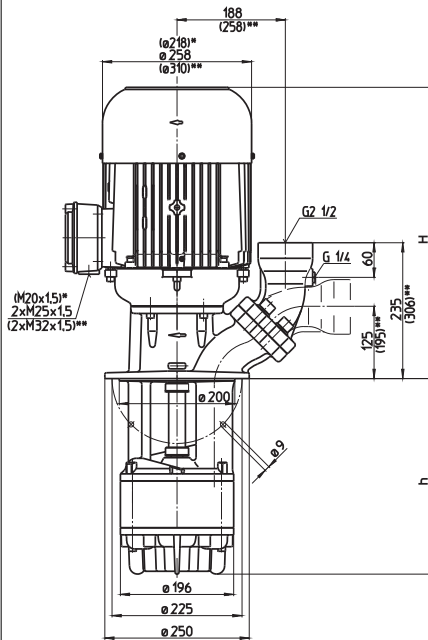
SGL1101...1103

Axial/semi-open impellers



Hoogeindsestraat 5
NL - 5447 PD Rijkevoort
Nederland
T : +31 (0) 485 - 371318
F : +31 (0) 485 - 371918

SGL1101, 1102 SGL1103



*) Dimensions for SGL1101
**) Dimensions for SGL1103

Type	Vol. del. at manom. del. head l/min / m	Height H mm	Depth of im- mersion h mm	Weight kg	Power kW	Voltage 3 ~ V	Fre- quen- cy Hz	Current A	Speed 1/min
SGL1101/230	900/10	533	230	69	5.0	220-240	50	17.3	2920
	330		330	72					
	460		460	76	5.75	460	60	9.5	3520
	580		580	81					
	780		780	91					
1010		1010	98						
SGL1102/310	900/21	612	310	108	9.0	380-415	50	16.7	2955
	410		410	110	10.3	460	60	15.8	3550
	540		540	113					
	660		660	118					
	860		860	130					
1090		1090	138						
SGL1103/390	900/33	620	390	143	13.0	380-415	50	24.2	2960
	490		490	147	15.0	460	60	23.6	3560
	620		620	151					
	740		740	155					
	940		940	167					

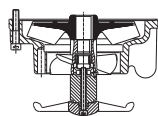
Quick Suctioning Immersion Pumps

series SGL equipped with the patented "BRINKMANN's Suction De-aeration System" are excellently suited to pumping **extremely air entrained fluids** (grinding oils) as they occur in **high-speed grinding**.

The quick suctioning immersion pumps reach stable working conditions as soon as the liquid level reaches the suction inlet.

The SGL serie offers a **flange** with pressure gauge connection port.

The flange can be rotated for either horizontal or vertical pipe connections.



The pump SGL1101 is available (upon request) with an additional agitator at the pump suction for breaking up and separating large bundles of chips or birds nests.

Applications

Types of fluid
coolants
cooling/cutting oils
grinding oils
Kinematic viscosity
...45 mm²/s (45 cSt)
Pumping temperature
0...80° C

Construction

Pump body	cast iron
Cover	cast iron
Impeller axial	cast steel
Impeller radial	cast steel
Shaft	steel

