

Free Flow-Immersion Pumps

SFT450...1400

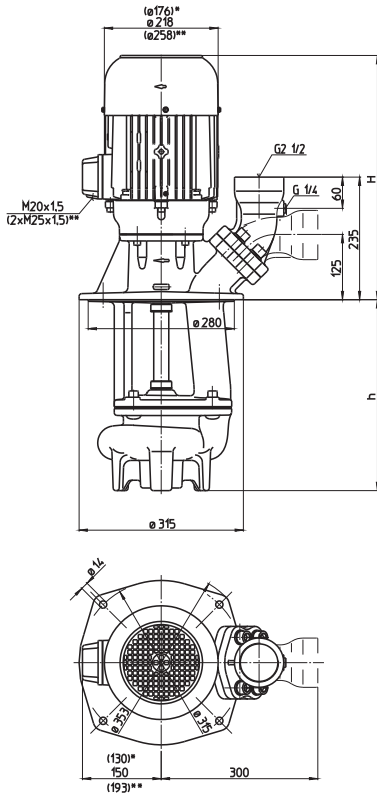
Semi-open impellers



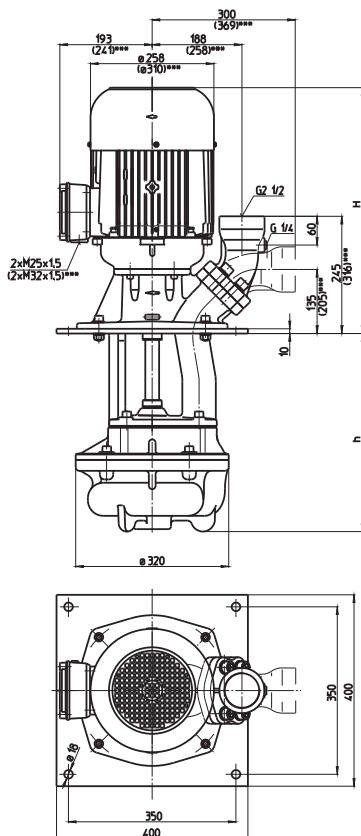
Hoogeindsestraat 5
NL - 5447 PD Rijkevoort
Nederland
T : +31 (0) 485 - 371318
F : +31 (0) 485 - 371918



SFT450...1100



SFT1300...1400



*) Dimensions for SFT450
**) Dimensions for SFT1100
***) Dimensions for SFT1400

Type	Vol. del. at manom. del. head l/min / m	Height H mm	Depth of im- mersion h mm	Weight kg	Power kW	Voltage 3 ~ V	Fre- quen- cy Hz	Current A	Speed 1/min
SFT450/300	600/5	464	300	65	2.6	220-240	50	9.30	2880
430			430	70		380-415	50	5.35	2880
550			550	74					
800			800	97	2.94	460	60	5.1	3480
1050			1050	102					
SFT710/300	800/5	503	300	81	4.0	220-240	50	14.50	2920
430			430	84		380-415	50	8.35	2920
550			550	86					
800			800	109	4.55	460	60	7.9	3520
1050			1050	129					
SFT1100/300	1100/5	574	300	104	6.5	380-415	50	12	2945
430			430	109					
550			550	115	7.48	460	60	11.5	3545
800			800	138					
1050			1050	148					
SFT1300/360	800/11	574	363	155	6.5	380-415	50	12	2945
490			493	160					
610			613	164	7.48	460	60	11.5	3545
SFT1350/360	800/15	612	363	166	9.0	380-415	50	16.7	2955
490			493	171					
610			613	175	10.3	460	60	15.8	3550
SFT1400/360	800/19	620	363	190	11.0	380-415	50	20.1	2960
490			493	195					
610			613	199	12.6	460	60	19.5	3560

Free Flow-Immersion Pumps

series SFT are designed to lift coolant for filtering. Coarse shreds can be transported together with liquids. The SFT serie offers a flange with pressure gauge connection port. The flange can be rotated for either horizontal or vertical pipe connections.

Applications

Types of fluid
coolants
Max. chip to coolant ratio by weight:
1.5 %
Chip material:
Aluminium, steel, coloured steels
Chip geometry:
Flow chips up until 80 mm long
Kinematic viscosity
...30 mm²/s (30 cSt)
higher viscosity upon request
Pumping temperature
0...60° C

Construction

Pump body	cast iron
Cover	special cast iron
Impeller	cast steel
Shaft	steel

