

Quick Suctioning Immersion Pumps

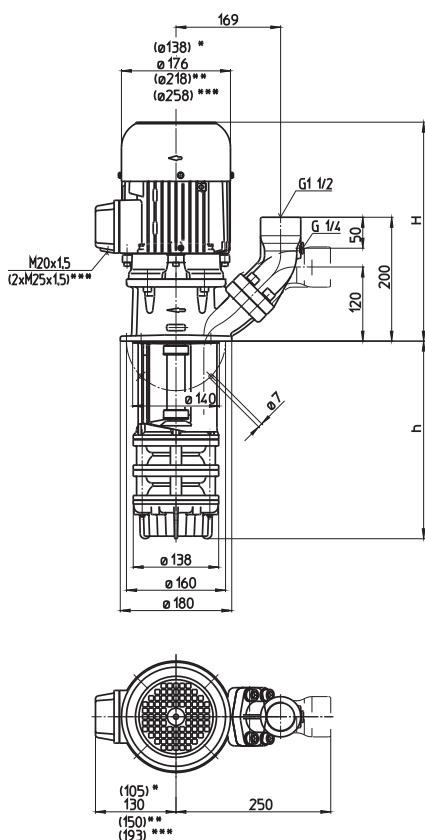
SAL401...409

Axial/semi-open impellers



Hoogendijkstraat 5
NL - 5447 PD Rijkevoort
Nederland
T: +31 (0) 485 - 371318
F: +31 (0) 485 - 371918

SAL401...409



- *) Dimensions for SAL401
- **) Dimensions for SAL405, 406, 407
- ***) Dimensions for SAL409

Type	Vol. del. at manom. del. head l/min / m	Height H mm	Depth of immersion h mm	Weight kg	Power kW	Voltage 3 ~ V	Fre- quen- cy Hz	Current A	Speed 1/min					
SAL401/140	250/5	334	140	22	0.85	220-240	50	3.64	2850					
220			220	23										
290			290	24										
370			370	25	0.98	460	60	2	3450					
460			460	27										
570			570	28										
770			770	35										
920			920	37										
SAL402/190	250/11	380	190	32	1.3	220-240	50	4.85	2900					
270			270	33										
340			340	34	1.49	460	60	2.7	3500					
420			420	35										
510			510	37										
620			620	38										
820			820	45										
970			970	47										
SAL403/240	250/19	439	240	41						1.9	220-240	50	6.84	2900
320			320	42										
390			390	43	2.18	460	60	3.9	3500					
470			470	44										
560			560	45										
670			670	47										
870			870	53										
1020			1020	56										
SAL404/290	250/25	439	290	45						2.6	220-240	50	9.30	2880
370			370	46										
440			440	47	2.94	460	60	5.1	3480					
520			520	49										
610			610	50										
720			720	52										
920			920	58										
1070			1070	60										
SAL405/340	250/30	478	340	58						3.3	220-240	50	11.6	2930
420			420	59										
490			490	60	3.8	460	60	6.4	3520					
570			570	61										
660			660	62										
770			770	65										
970			970	71										
1120			1120	73										
SAL406/390	250/38	478	390	60						4.0	220-240	50	14.50	2920
470			470	62										
540			540	63	4.55	460	60	7.9	3520					
620			620	64										
710			710	65										
820			820	67										
1020			1020	74										
SAL407/440	250/44	508	440	72						5.0	220-240	50	17.3	2920
520			520	73										
590			590	74	5.75	460	60	9.5	3520					
670			670	76										
760			760	77										
870			870	79										
SAL409/540	250/53	549	540	98						6.0	380-415	50	11.2	2950
620			620	99										
690			690	100	6.9	460	60	10.7	3550					
770			770	101										
860			860	103										
970			970	105										

Quick Suctioning Immersion Pumps

equipped with the patented "BRINKMANN" s Suction De-aeration System" are excellently suited to pumping **extremely air entrained fluids** (emulsions resp. cooling/cutting oils) as they occur in heavy cutting when turning, milling or grinding.

The quick suctioning immersion pumps reach stable working conditions as soon as the liquid level reaches the suction inlet.

The SAL serie offers a (SAE) flange with pressure gauge connection port. The flange can be rotated for either horizontal or vertical pipe connections.

Applications

Types of fluid
coolants
cooling/cutting oils
Kinematic viscosity
...45 mm²/s (45 cSt)
Pumping temperature
0...80° C

Construction

Pump body	cast iron
Cover	cast iron
Impeller axial	cast steel
Impeller radial	brass
Shaft	steel
Optional: Impeller radial	cast steel

