

Quick Suctioning Immersion Pumps

SAL1600...2500

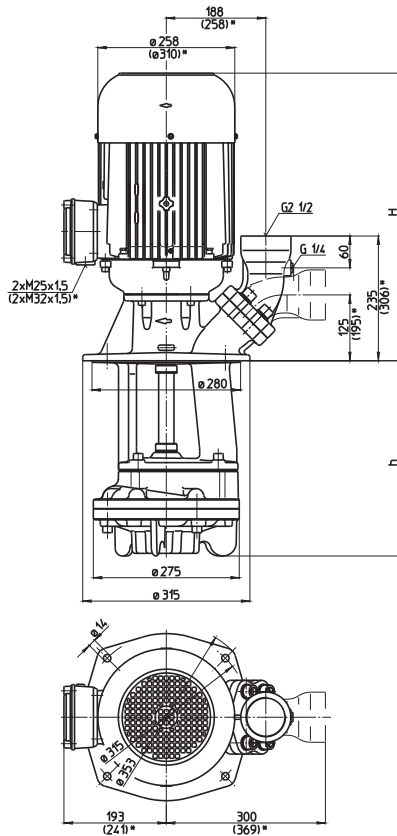
Axial/semi-open impellers

Jansen

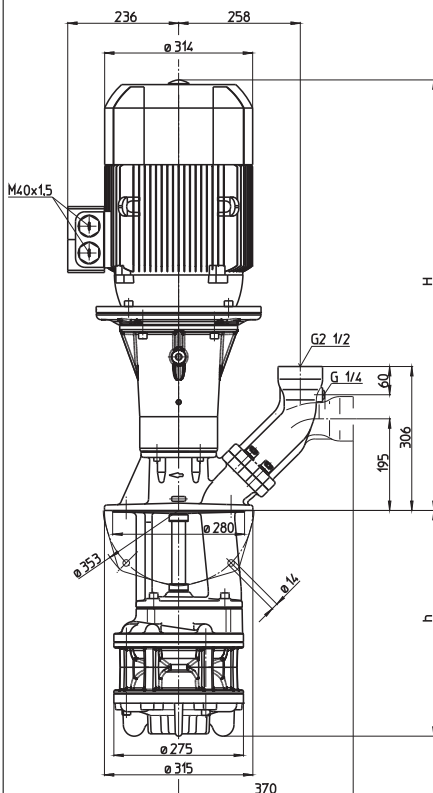


Hoogheindsestraat 5
NL - 5447 PD Rijkevoort
Nederland
T : +31 (0) 485 - 371318
F : +31 (0) 485 - 371918

SAL1600, 2000



SAL1602, 2500



*) Dimensions for SAL2000

Type	Vol. del. at manom. del. head l/min / m	Height H mm	Depth of im- mersion h mm	Weight kg	Power kW	Voltage 3 ~ V	Fre- quen- cy Hz	Current A	Speed 1/min
SAL1600/310	1300/15	612	310	134	9.0	380-415	50	16.7	2955
	440		440	136					
	560		560	143	10.3	460	60	15.8	3550
	810		810	160					
	1060		1060	170					
SAL2000/310	1600/15	620	310	158	11.0	380-415	50	20.1	2960
	440		440	160					
	560		560	167	12.6	460	60	19.5	3560
	810		810	184					
	1060		1060	190					
SAL1602/420	1300/37	974	420	230	18.5	400	50	32	2955
	550		550	236					
	670		670	240	21.3	460	60	32	3555
	920		920	247					
	1170		1170	251					
SAL2002/420	1600/45	978	420	250	22.0	400	50	37.5	2950
	550		550	256					
	670		670	260	25.3	460	60	37.5	3550
	920		920	267					
	1170		1170	271					
SAL2500/340	2200/20	974	340	201	18.5	400	50	32	2955
	470		470	206					
	590		590	211	21.3	460	60	32	3555
	840		840	228					
	1090		1090	231					

Quick Suctioning Immersion Pumps

equipped with the patented "BRINKMANN's Suction De-aeration System" are excellently suited to pumping **extremely air entrained fluids** (emulsions resp. cooling/cutting oils) as they occur in heavy cutting when turning, milling or grinding.

The quick suctioning immersion pumps reach stable working conditions as soon as the liquid level reaches the suction inlet.

The SAL serie offers a **flange** with pressure gauge connection port.

The flange can be rotated for either horizontal or vertical pipe connections.

Applications

Types of fluid
coolants
cooling/cutting oils
Kinematic viscosity
...45 mm²/s (45 cSt)
Pumping temperature
0...80° C

Construction

Pump body	cast iron
Cover	cast iron
Impeller axial	cast steel
Impeller radial	cast steel
Shaft	steel

