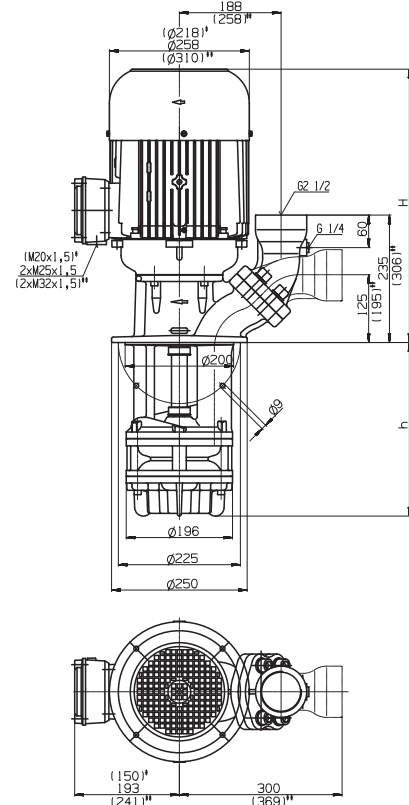


Quick Suctioning Immersion Pumps

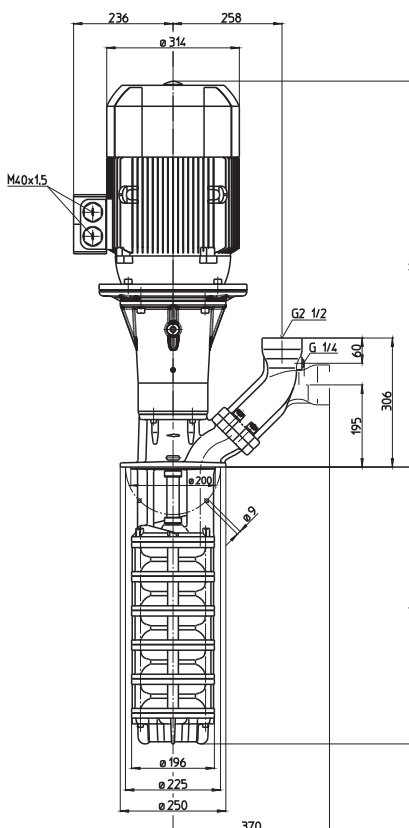
SAL1001...1006

Axial/semi-open impellers

SAL1001...1004



SAL1006



*) Dimensions for SAL1001
**) Dimensions for SAL1004

Type	Vol. del. at manom. del. head l/min / m	Height H mm	Depth of immersion h mm	Weight kg	Power kW	Voltage 3 ~ V	Fre- quen- cy Hz	Current A	Speed 1/min
SAL1001/230	600/14	503	230	64	3.3	220-240	50	11.6	2930
330			330	67		380-415	50	6.7	2930
460			460	70					
580			580	74	3.8	460	60	6.4	3520
780			780	86					
1010			1010	92					
1130			1130	96					
SAL1002/310	600/27	574	310	100	6.0	380-415	50	11.2	2950
410			410	103					
540			540	107	6.9	460	60	10.7	3550
660			660	111					
860			860	123					
1090			1090	130					
1210			1210	134					
SAL1003/390	600/40	612	390	122	9.0	380-415	50	16.7	2955
490			490	125					
620			620	129	10.3	460	60	15.8	3550
740			740	133					
940			940	146					
1170			1170	152					
SAL1004/470	600/55	620	470	154	13.0	380-415	50	24.2	2960
570			570	158					
700			700	160	15.0	460	60	23.6	3560
820			820	164					
1020			1020	176					
1250			1250	179					
SAL1006/630	600/85	974	630	203	18.5	400	50	32	2955
730			730	207					
860			860	211	21.3	460	60	32	3555
980			980	215					

Quick Suctioning Immersion Pumps

equipped with the patented "BRINKMANN's Suction De-aeration System" are excellently suited to pumping **extremely air entrained fluids** (emulsions resp. cooling/cutting oils) as they occur in heavy cutting when turning, milling or grinding.

The quick suctioning immersion pumps reach stable working conditions as soon as the liquid level reaches the suction inlet.

The SAL serie offers a **flange** with pressure gauge connection port.

The flange can be rotated for either horizontal or vertical pipe connections.

Applications

Types of fluid
coolants
cooling/cutting oils
Kinematic viscosity
...45 mm²/s (45 cSt)
Pumping temperature
0...80° C

Construction

Pump body	cast iron
Cover	cast iron
Impeller axial	cast steel
Impeller radial	cast steel
Shaft	steel

