

# Immersion Pumps in Plastics

## KTF151...303, KTB200

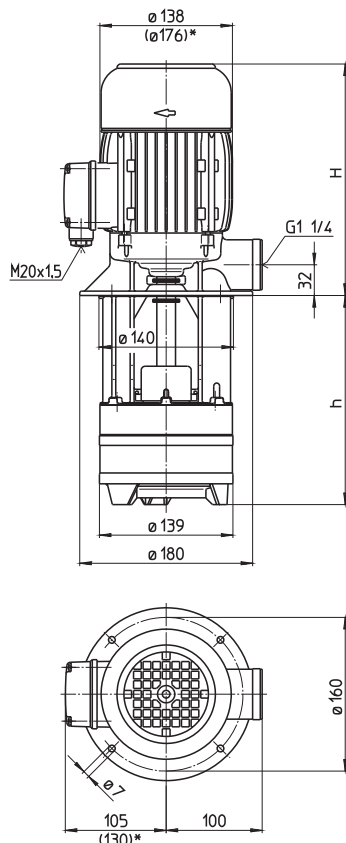
Semi-open impellers



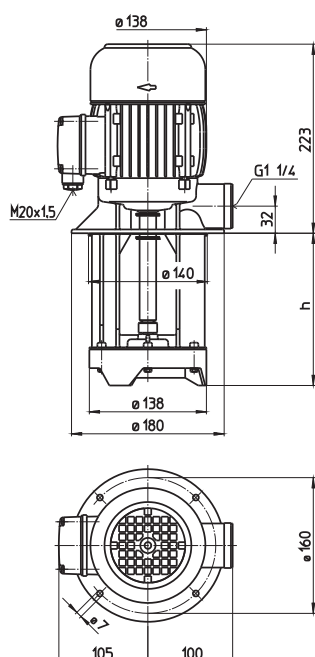
Hoogeindestraat 5  
NL - 5447 PD Rijkevoort  
Nederland  
T : +31 (0) 485 - 371318  
F : +31 (0) 485 - 371918



### KTF151...153 KTF301...303



### KTB200



\*) Dimensions for KTF153, KTF302, 303

Type	Vol. del. at manom. del. head l/min / m	Height H mm	Depth of immersion h mm	Weight kg	Power kW	Voltage 3 ~ V	Fre- quen- cy Hz	Current A	Speed 1/min
<b>KTF151/140</b>	100/10	223	140	7.2	0.53	220-240	50	2.25	2750
<b>220</b>			220	7.5					
<b>290</b>			290	8.0					
<b>370</b>			370	8.2					
<b>KTF152/180</b>	100/20	291	180	10.5	1.1	220-240	50	4.33	2850
<b>260</b>			260	11.0					
<b>330</b>			330	11.5					
<b>410</b>			410	12.0					
<b>KTF153/220</b>	100/32	346	220	20.5	1.7	220-240	50	6.24	2890
<b>300</b>			300	21.0					
<b>370</b>			370	21.5					
<b>450</b>			450	22.0					
<b>KTF301/140</b>	180/10	291	140	10.0	1.1	220-240	50	4.33	2850
<b>220</b>			220	10.5					
<b>290</b>			290	11.0					
<b>370</b>			370	11.5					
<b>KTF302/180</b>	180/20	346	180	20.0	1.7	220-240	50	6.24	2890
<b>260</b>			260	20.5					
<b>330</b>			330	21.0					
<b>410</b>			410	21.5					
<b>KTF303/220</b>	180/33	378	220	25.0	2.6	220-240	50	9.30	2880
<b>300</b>			300	25.5					
<b>370</b>			370	26.0					
<b>450</b>			450	26.5					
<b>KTB200/120</b>	210/2	223	120	6.5	0.55	220-240	50	2.50	2750
<b>200</b>			200	7.0					
<b>270</b>			270	7.5					
<b>350</b>			350	8.5					

**Immersion Pumps in Plastics**

series KTF and KTB are suitable for various **water supply problems**. These pumps are also suitable for a wide range of **chemical liquids**. No shaft seal is required, due to the construction.

**Applications**

Types of fluid  
Industry water; warm, cold, with and without chemical admixtures, distilled, de-ionnized

Kinematic viscosity  
...12 mm<sup>2</sup>/s (12 cSt)

Pumping temperature  
-10...+60° C

**Construction**

Pump body	POM
Cover	PP
Impellers	POM (KTB200) PPS
Shaft	POM (KTB200) 1.4104
Optional: Shaft	CrMo
Noise level	
KTF151...KTF152	60 dBA
KTF301	
KTB200	
KTF153	65 dBA
KTF302...KTF303	

