

Pressure Boosting Pumps

FH11

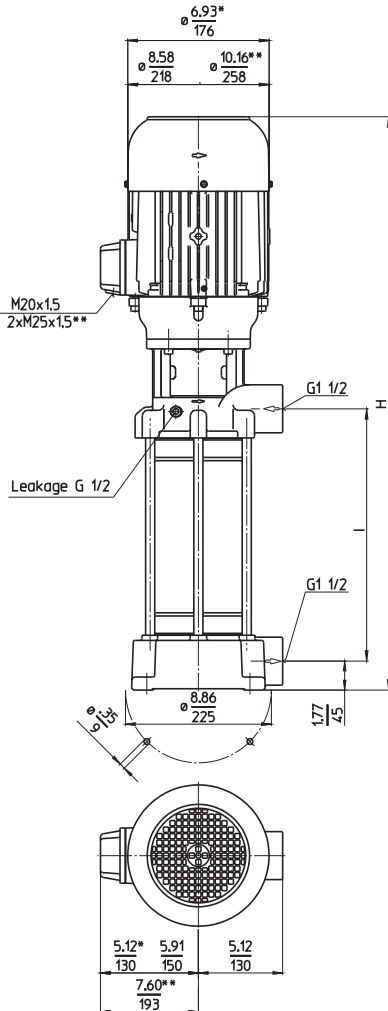
Closed impellers



Hoogeindsestraat 5
NL - 5447 PD Rijkevoort
Nederland
T : +31 (0) 485 - 371318
F : +31 (0) 485 - 371918



FH1102...1115



Dimensions in Inches / mm

*) Dimensions FH1102...FH1104

**) Dimensions FH1110...FH1115

Type	Flow at head	Height	Length		Weight		Power	Voltage	Fre-	Current	Speed
	GPM /Feet l/min /m	H inch mm	l Inch	l mm	Lbs	kg	HP kW	3~ V	quen- cy Hz	AMPS	RPM
FH1102S18	37.5/100	25.3	8.3	212	86.0	39	2	230	60	5.4	3500
	150/30	643					1.49	460	60	2.7	3500
FH1103S18	37.5/150	27.6	8.3	212	101.4	46	2.9	230	60	7.8	3500
	150/45	702					2.18	460	60	3.9	3500
FH1104S28	37.5/200	31.4	12.1	308	103.6	47	3.9	230	60	10.2	3480
	150/59	798					2.94	460	60	5.1	3480
FH1105S28	37.5/250	33.0	12.1	308	132.3	60	5.1	230	60	12.8	3520
	150/77	837					3.8	460	60	6.4	3520
FH1106S28	37.5/300	33.0	12.1	308	136.7	62	6.1	230	60	15.8	3520
	150/90	837					4.55	460	60	7.9	3520
FH1107S31	37.5/355	35.4	13.4	340	147.7	67	7.7	230	60	19.0	3520
	150/106	899					5.75	460	60	9.5	3520
FH1108S38	37.5/400	37.9	15.9	404	152.1	69					
	150/121	963									
FH1109S38	37.5/455	37.9	15.9	404	156.6	71	8.4	230	60	20.8	3510
	150/138	963					6.3	460	60	10.4	3510
FH1110S47	37.5/510	44.7	19.7	500	225	102	11.5	230	60	27.8	3550
	150/152	1136					8.6	460	60	13.9	3550
FH1111S47	37.5/550				227	103					
	150/166										
FH1112S47	37.5/600				229	104					
	150/180										
FH1113S50	37.5/655	46.0	20.9	532	247	112	13.8	230	60	31.6	3550
	150/198	1168					10.3	460	60	15.8	3550
FH1114S57	37.5/705	48.5	23.5	596	249	113					
	150/212	1232									
FH1115S57	37.5/755				251	114					
	150/230										



Pressure Boosting Pumps

series TH and FH use closed impellers in order to minimize power consumption and to optimize hydraulic pump efficiencies.

In addition, the TH series offers high pressures at short immersion depths. Inline pumps of the series FH can be used as boosting pumps if provided with positive inlet pressure. This inlet pressure can be provided by the central coolant supply or a feed pump. In such a setup, pumps of the series FH can raise the incoming pressure by up to 375 PSI (26 bar).

A frequency alternator can be supplied for special applications or for matching the pump characteristic to a specific duty point. See page "Control/Regulation" in the Technical Information section of this catalog for further information.

Applications

- Types of fluid
 - Industry water
 - coolants
 - cooling/cutting oils
- Kinematic viscosity
 - ...115 SSU (...25 mm²/s)
- Pumping temperature
 - 30...175 °F (0...80 °C)

Construction

Pump body	cast iron
Cover	cast iron
Impellers	CrNi-steel
Shaft	CrNi-steel
Diffusers	CrNi-steel
Mechanical seal	SiC
O-rings	Viton®
Noise level	
FH1102...FH1104	66 dBA
FH1105...FH1109	74 dBA
FH1110...FH1115	77 dBA

