

NOCCHI NRM

STANDARDIZED MONOBLOC CENTRIFUGAL PUMPS (2-4 POLE)

RUGGED AND RESISTANT, WIDE RANGE, HIGH HYDRAULIC PERFORMANCE

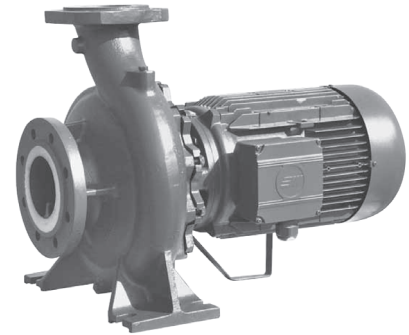
The pumps in the NRM series are monobloc single impeller models with the hydraulic section and motor connected by means of the housing, and pump body constructed in compliance with the standard EN733/DIN24255. The pumps can be installed in all positions, except for that with the suction port directed upwards. The Horizontal single impeller

MOTOR

- Induction, closed, ventilated
- Protection rating: IP 55
- Insulation class F
- Construction design: B3/B5
- Speed of rotation:
- NRM4 1450 rpm
- NRM4 2900 rpm

APPLICATIONS

- Central heating and air conditioning systems.
- Collection of water from lakes, rivers, wells.
- Gravity and sprinkler irrigation systems.
- Water supply, fire fighting and pressure booster systems.



APPLICATION DATA

- Type of liquid: non aggressive, non explosive, free of solid bodies and fibers.
- Hot water for heating.
- Coolant fluids.
- Ambient temperature: 40°C.
- Pumped liquid temperature -10°C + 130°C.
- Maximum operating pressure: 10 bar.

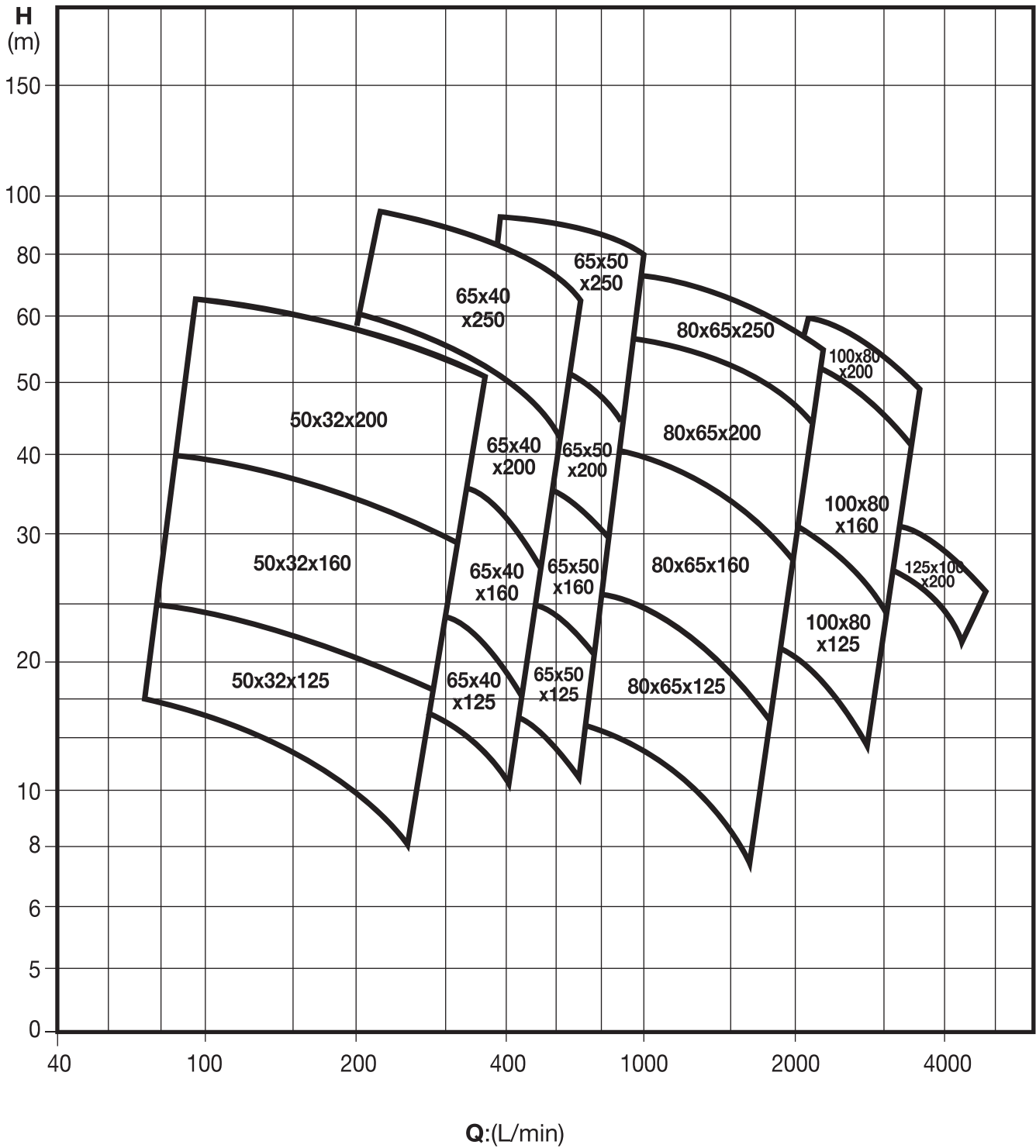
TABLE OF MATERIALS

Component		Material
1	Pump body	Cast iron EN GJL 200 (ex G20)
2	Motor bracket	Cast iron EN GJL 200 (ex G20)
3	Impeller	Cast iron EN GJL 200 (ex G20) AISI 304 on request
4	Shaft	Stainless steel AISI 420
5	Mechanical gasket	Silicon carbide/Silicon carbide/NBR

NOCCHI NRM2

STANDARDIZED MONOBLOC CENTRIFUGAL PUMPS (2-4 POLE)

HYDRAULIC PERFORMANCE



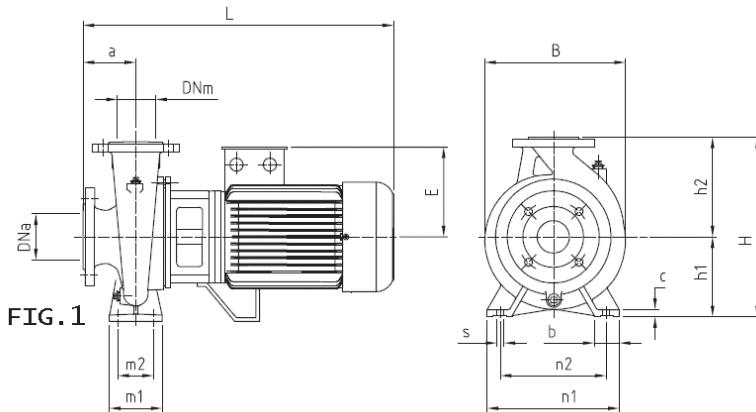
NOCCHI NRM2 50x32

STANDARDIZED MONOBLOC CENTRIFUGAL PUMPS (2-4 POLE)

PERFORMANCE TABLE

MOD.	P2		Volt	In (A)	Q	L/min	100	125	150	175	200	225	250	275	300	350	400	
	HP	kW					m ³ /h	6	7.5	9	10.5	12	13.5	15	16.5	18	21	24
NRM2 50x32x125C	1	0.75	230/400	1.7	m.c.a. / m.w.c.	15.5	14.5	13.5	12.4	11.5	10.3	9	7.5	6				
NRM2 50x32x125B	1.5	1.1	230/400	2.5		20.5	20	19	18	17	16	15	13.5	11.5	7.5			
NRM2 50x32x125A	2	1.5	230/400	3.4		24.5	24	23.5	23	22	21	20	18.5	16.5	13			
NRM2 50x32x160C	3	2.2	230/400	4.4		28.5	28	27.5	26.5	25.5	24	23	21.5	20	15			
NRM2 50x32x160B	4	3	230/400	5.9		33.5	33	32.5	32	31	30	29	27.5	26	22.5			
NRM2 50x32x160A	4	3	230/400	5.9		38	37.5	37	36	35	34	33	31.5	30	26.5			
NRM2 50x32x200C	5.5	4	230/400	7.8		47	46.5	46	45	44	43	42	41	39.5	37.5	35		
NRM2 50x32x200C	5.5		400/690	7.8														
NRM2 50x32x200B	7.5	5.5	230/400	10.4		55	54.5	54	53.5	53	52	51	49.5	48	45	42		
NRM2 50x32x200B			400/690	10.4														
NRM2 50x32x200A	10	7.5	230/400	14.2		62	61.5	61	60	59.2	58.5	57.5	56.4	55	52.5	49		
NRM2 50x32x200A			400/690	14.2														

MEI ≥ 0.1 - MEI reference ≥ 0.70 - The reference efficiency information is available on the website: www.europump.org/efficiencycharts
For efficiency data, see www.nocchi.it



"Flange UNI PN16"					
DN	a1	b1	c1	d1	e1
32	78	100	140	4	18
50	102	125	165	4	18

OVERALL DIMENSIONS AND WEIGHTS

MOD.	Motor	DNm	DNa	Dimensions (mm)															Weight (kg)
		PN16 mm	PN16 mm	Fig.	a	h1	h2	b	m1	m2	n1	n2	s	C	W	L ~	B	H	
NRM2 50x32x125C	71	32	50	1	80	112	140	50	100	70	190	140	14	12	-	421	200	252	23.3
NRM2 50x32x125B	80	32	50	1	80	112	140	50	100	70	190	140	14	12	-	421	200	252	23.6
NRM2 50x32x125A	80	32	50	1	80	112	140	50	100	70	190	140	14	12	-	421	200	252	25.9
NRM2 50x32x160C	80	32	50	1	80	132	160	50	100	70	240	190	14	12	-	426	240	292	31
NRM2 50x32x160B	100	32	50	1	80	132	160	50	100	70	240	190	14	12	-	495	240	292	36.5
NRM2 50x32x160A	100	32	50	1	80	132	160	50	100	70	240	190	14	12	-	495	240	292	38.5
NRM2 50x32x200C	100	32	50	1	80	160	180	50	100	70	240	190	14	12	-	495	240	340	46.9
NRM2 50x32x200B	112	32	50	1	80	160	180	50	100	70	240	190	14	12	-	517	240	340	51.1
NRM2 50x32x200A	112	32	50	1	80	160	180	50	100	70	240	190	14	12	-	539	240	340	59.6

NOCCHI NRM2 65x40

STANDARDIZED MONOBLOC CENTRIFUGAL PUMPS (2-4 POLE)

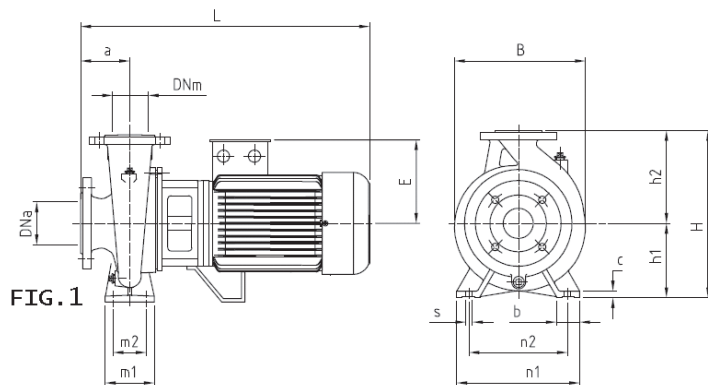
PERFORMANCE TABLE

MOD.	P2		Volt	In (A) 3x440	Q	L/min m ³ /h	250	275	300	350	400	450	500	550	600	650	700		
	HP	kW					15	16.5	18	21	24	27	30	33	36	39	42		
NRM2 65X40X125C	2	1.5	230/400	3.4	m.c.a. / m.w.c.	15.5	15.3	15	14.1	13	11.8	10.5	9	7					
NRM2 65X40X125B	3	2.2	230/400	4.4		19	18.8	18.5	17.5	16.5	15.5	14.5	13	10.5					
NRM2 65X40X125A	4	3	230/400	5.9		24.5	24.3	24	23.5	23	22	20.5	19	17					
NRM2 65X40X160B	4	3	230/400	5.9		30	29.5	29	28	26.5	25	23	20.5	18					
NRM2 65X40X160A	5.5	4	230/400	7.8		36.5	36	35.5	34.5	33.5	32.5	31	29	27					
NRM2 65X40X160A			400/690	7.8															
NRM2 65X40X200C	7.5	5.5	230/400	10.4		45.3	44.8	44	43	41.5	39	37	34	31					
NRM2 65X40X200C			400/690	10.4															
NRM2 65X40X200B	10	7.5	230/400	14.2		51	50.5	50	49	47.5	45	42.5	40	37					
NRM2 65X40X200B			400/690	14.2															
NRM2 65X40X200A	10	7.5	230/400	14.2		56.5	56	55.5	54.5	53	51	49	47	44					
NRM2 65X40X200A			400/690	14.2															
NRM2 65X40X250D	15	11	230/400	19.8		69	68.5	68	66.5	65	63	61	59	57	54				
NRM2 65X40X250D			400/690	19.8															
NRM2 65X40X250C	20	15	400/690	27		77	76.5	76	74.5	73	71	69	67	65	62.5	60			
NRM2 65X40X250B	20	15	400/690	27		90	89.8	89.2	88.2	87	85.3	83.2	80.7	78	75	71			

MEI ≥ 0.1 - MEI reference ≥ 0.70 - The reference efficiency information is available on the website: www.europump.org/efficiencycharts

For efficiency data, see www.nocchi.it

"Flange UNI PN16"					
DN	a1	b1	c1	d1	e1
40	83	110	150	4	18
65	122	145	185	4	18



OVERALL DIMENSIONS AND WEIGHTS

MOD.	Motor	DNm	DNa	Dimensions (mm)														Weight (kg)	
		PN16 mm	PN16 mm	Fig.	a	h1	h2	b	m1	m2	n1	n2	s	C	W	L ~	B		H
NRM2 65X40X125C	80	40	65	1	80	112	140	50	100	70	240	140	14	12	-	421	215	252	26.9
NRM2 65X40X125B	90	40	65	1	80	112	140	50	100	70	210	140	14	12	-	426	215	252	28
NRM2 65X40X125A	100	40	65	1	80	112	140	50	100	70	210	140	14	12	-	495	215	252	33.5
NRM2 65X40X160B	100	40	65	1	80	132	160	50	100	70	240	190	14	12	-	495	270	292	33.5
NRM2 65X40X160A	100	40	65	1	80	132	160	50	100	70	240	190	14	12	-	495	280	292	43.1
NRM2 65X40X200C	112	40	65	1	100	160	180	50	100	70	265	190	14	12	-	537	270	340	47.9
NRM2 65X40X200B	112	40	65	1	100	160	180	50	100	70	265	190	14	12	-	559	270	340	55.4
NRM2 65X40X200A	132	40	65	1	100	160	180	50	100	70	265	190	14	12	-	559	270	340	60.6
NRM2 65X40X250D	132	40	65	1	100	180	225	65	125	95	320	250	14	12	-	654	315	405	82.5
NRM2 65X40X250C	132	40	65	1	100	180	225	65	125	95	320	250	14	12	-	705	315	405	87
NRM2 65X40X250B	132	40	65	1	100	180	225	65	125	95	320	250	14	12	-	705	315	405	94

NOCCHI NRM2 65x50

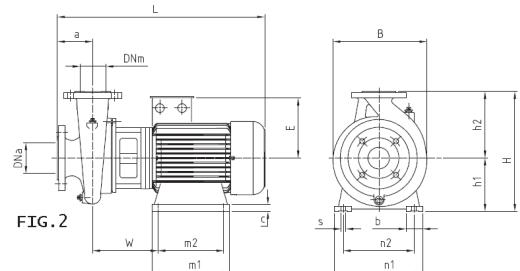
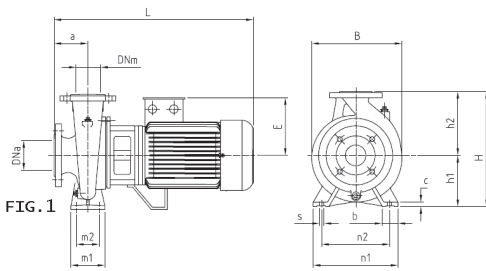
STANDARDIZED MONOBLOC CENTRIFUGAL PUMPS (2-4 POLE)

PERFORMANCE TABLE

MOD.	P2		Volt	In (A) 3X440	Q	L/min	400	450	500	550	600	650	700	750	800	900	1000	
	HP	kW				m³/h	24	27	30	33	36	39	42	45	48	54	60	
NRM2 65X50X125C	3	2.2	230/400	4.4	m.c.a. / m.w.c.	17	16.5	16	15.5	15	14	13	12	11	9			
NRM2 65X50X125B	4	3	230/400	5.9		21	20.5	20	19.5	19	18.3	17.5	16.8	16	14	12		
NRM2 65X50X125A	5.5	4	230/400	7.8		25.5	25.3	25	24.5	24	23.5	23	22.5	21.5	20	18		
NRM2 65X50X125A			400/690	7.8														
NRM2 65X50X160B	7.5	5.5	230/400	10.4		32.5	32	31.5	31	30.5	30	29.5	29	28	26	23.5		
NRM2 65X50X160B			400/690	10.4														
NRM2 65X50X160A	10	7.5	230/400	14.2		37	36.5	36	35.5	35	34.5	34	33.5	32.5	31	29		
NRM2 65X50X160A			400/690	14.2														
NRM2 65X50X200B	15	11	230/400	19.8		51	50.5	50	49	48	47	45.5	44.5	43	39.5	37		
NRM2 65X50X200B			400/690	19.8														
NRM2 65X50X200A	20	15	400/690	27		58	57.5	57	56	55	54	53	51.5	50	46.5	42.5		
NRM2 65X50X250D	20	15	400/690	27		72	71	70	69	68	67	66	64.5	63	60	56		
NRM2 65X50X250C	25	18.5	400/690	33.3		80.5	80	79.5	78.5	77.5	76.5	75.5	74.5	73.5	71	67.5		
NRM2 65X50X250B	30	22	400/690	38.6		92	91.8	91.5	91	90	89	88	87	86	83	80		

MEI ≥ 0.1 - MEI reference ≥ 0.70 - The reference efficiency information is available on the website: www.europump.org/efficiencycharts
For efficiency data, see www.nocchi.it

"Flange UNI PN16"					
DN	a1	b1	c1	d1	e1
50	102	125	165	4	18
65	122	145	185	4	18



OVERALL DIMENSIONS AND WEIGHTS

MOD.	Motor	DNm	DNa	Dimensions (mm)														Weight (kg)	
		PN16 mm	PN16 mm	Fig.	a	h1	h2	b	m1	m2	n1	n2	s	C	W	L ~	B		H
NRM2 65X50X125C	90	50	65	1	100	132	160	50	100	70	240	190	14	12	-	446	245	292	34.5
NRM2 65X50X125B	100	50	65	1	100	132	160	50	100	70	240	190	14	12	-	515	270	292	40
NRM2 65X50X125A	100	50	65	1	100	132	160	50	100	70	240	190	14	12	-	515	280	292	44.1
NRM2 65X50X160B	112	50	65	1	100	160	180	50	100	70	265	212	14	12	-	537	270	340	53.4
NRM2 65X50X160A	112	50	65	1	100	160	180	50	100	70	265	212	14	12	-	559	270	340	58.1
NRM2 65X50X200B	132	50	65	1	100	160	200	50	100	70	265	212	14	12	-	654	285	360	73.5
NRM2 65X50X200A	132	50	65	1	100	160	200	50	100	70	265	212	14	12	-	705	285	360	77
NRM2 65X50X250D	132	50	65	1	100	180	225	50	100	70	265	212	14	12	-	705	320	405	95
NRM2 65X50X250C	160	50	65	2	100	180	225	76	420	370	320	254	14	20	210	802	320	405	146
NRM2 65X50X250B	160	50	65	2	100	180	225	76	420	370	320	254	14	20	210	802	320	405	167

NOCCHI NRM2 80x65

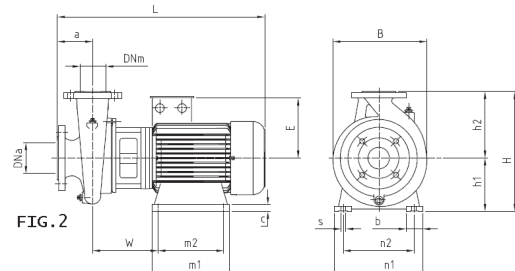
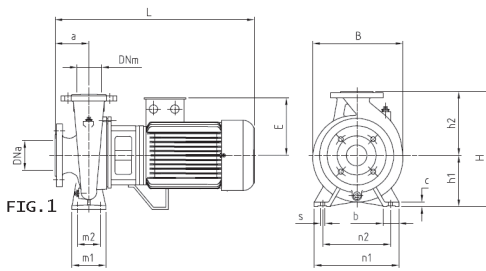
STANDARDIZED MONOBLOC CENTRIFUGAL PUMPS (2-4 POLE)

PERFORMANCE TABLE

MOD.	P2		Volt	In (A) 3X440	Q	L/min	600	650	700	750	800	900	1000	1250	1500	1750	2000	2250	
	HP	kW				m³/h	36	39	42	45	48	54	60	75	90	105	120	135	
NRM2 80X65X125C	5.5	4	230/400	7.8	m.c.a. / m.w.c.	17.5	17.3	17	16.5	16	15.5	14.5	12	9					
NRM2 80X65X125C			400/690	7.8															
NRM2 80X65X125B	7.5	5.5	230/400	10.4		21	20.8	20.6	20.3	20	19.5	19	17	14.5	11				
NRM2 80X65X125B			400/690	10.4															
NRM2 80X65X125A	10	7.5	230/400	14.2		25	24.8	24.6	24.3	24	23.5	23	21.5	19	16				
NRM2 80X65X125A			400/690	14.2															
NRM2 80X65X160C	15	11	230/400	19.8					30.5	30.3	30	29.5	29	26.5	24	20.5	16		
NRM2 80X65X160C			400/690	19.8															
NRM2 80X65X160B	20	15	400/690	27					36.5	36.3	36	35.5	34.5	33	30	27	23	19	
NRM2 80X65X160A	20	15	400/690	27					41	40.8	40.5	40	39.5	38	35.5	33	29	24	
NRM2 80X65X200D	20	15	400/690	27							44	43.5	43	41.5	39	35.5	31.5		
NRM2 80X65X200C	25	18.5	400/690	33.3							51	50	49.5	48.5	46.5	43.5	39.5	35	
NRM2 80X65X200B	30	22	400/690	38.6							57	56.5	56	55	53.5	51	48	42.5	
NRM2 80X65X250D	30	22	400/690	38.6							64	63.5	63	61	57	53			

MEI ≥ 0.1 - MEI reference ≥ 0.70 - The reference efficiency information is available on the website: www.europump.org/efficiencycharts
For efficiency data, see www.nocchi.it

"Flange UNI PN16"					
DN	a1	b1	c1	d1	e1
65	122	145	185	4	18
80	138	160	200	8	18



OVERALL DIMENSIONS AND WEIGHTS

MOD.	Motor	DNm PN16 mm	DNa PN16 mm	Dimensions (mm)																Weight (kg)
				Fig.	a	h1	h2	b	m1	m2	n1	n2	s	C	W	L ~	B	H		
NRM2 80X65X125C	100	65	80	1	100	160	180	65	125	95	280	212	14	14	-	515	280	340	44.9	
NRM2 80X65X125B	112	65	80	1	100	160	180	65	125	95	280	212	14	14	-	537	280	340	47.1	
NRM2 80X65X125A	112	65	80	1	100	160	180	65	125	95	280	212	14	14	-	559	280	340	57.6	
NRM2 80X65X160C	132	65	80	1	100	160	200	65	125	95	280	212	14	14	-	654	280	360	75.5	
NRM2 80X65X160B	132	65	80	1	100	160	200	65	125	95	280	212	14	14	-	705	280	360	79	
NRM2 80X65X160A	132	65	80	1	100	160	200	65	125	95	280	212	14	14	-	705	280	360	85	
NRM2 80X65X200D	132	65	80	1	100	180	225	65	125	95	280	212	14	14	-	705	330	405	89.5	
NRM2 80X65X200C	160	65	80	2	100	180	225	65	420	370	320	254	14	20	210	802	330	405	140	
NRM2 80X65X200B	160	65	80	2	100	180	225	65	420	370	320	254	14	20	210	802	330	405	144	
NRM2 80X65X250D	160	65	80	2	100	180	250	65	420	370	320	254	14	20	222	814	365	430	172	

NOCCHI NRM2 100x80

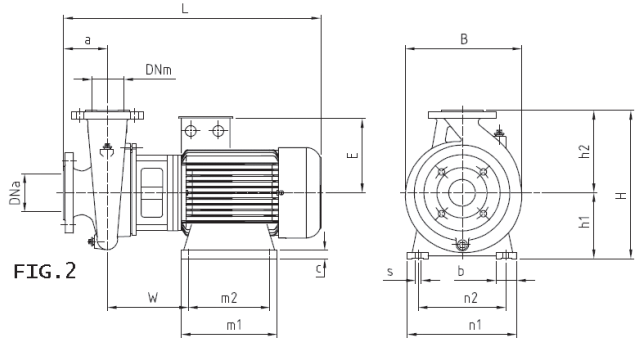
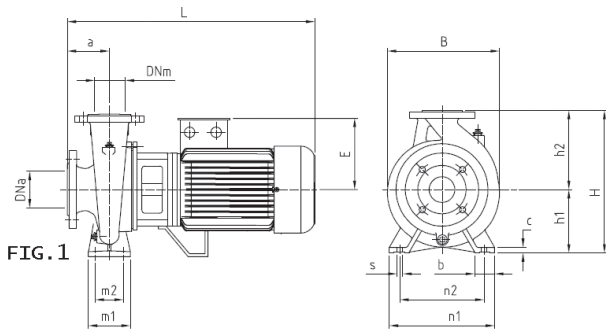
STANDARDIZED MONOBLOC CENTRIFUGAL PUMPS (2-4 POLE)

PERFORMANCE TABLE

MOD.	P2		Volt	In (A) 3X440	Q	L/min	1000	1250	1500	1750	2000	2250	2500	2750	3000	3500	4000	4500	5000		
	HP	kW					m ³ /h	60	75	90	105	120	135	150	165	180	210	240	270	300	
NRM2 100X80X160D	15	11	230/400	19.8	m.c.a. / m.w.c.		24	23	22	21	19.5	18	16.5	15							
NRM2 100X80X160D			400/690	19.8																	
NRM2 100X80X160C	20	15	400/690	27			28.5	28	27	26	24.5	23	21.5	20	18.5						
NRM2 100X80X160B	20	15	400/690	27			34	33.3	32.5	31.8	31	29	27.5	26	24.5						
NRM2 100X80X200D	25	18.5	400/690	33.3			42	41	40	38.5	37	35	33	30.5							
NRM2 100X80X200C	30	22	400/690	38.6			47	46.5	45.5	44.5	43	41	39	37							

MEI ≥ 0.1 - MEI reference ≥ 0.70 - The reference efficiency information is available on the website: www.europump.org/efficiencycharts
For efficiency data, see www.nocchi.it

"Flange UNI PN16"					
DN	a1	b1	c1	d1	e1
80	138	160	200	8	18
100	158	180	220	8	18



OVERALL DIMENSIONS AND WEIGHTS

MOD.	Motor	DNm PN16 mm	DNa PN16 mm	Fig.	Dimensions (mm)													Weight (kg)	
					a	h1	h2	b	m1	m2	n1	n2	s	C	W	L ~	B		H
NRM2 100X80X160D	132	80	100	1	125	180	225	65	125	95	320	250	14	14	-	679	315	405	79.5
NRM2 100X80X160C	132	80	100	1	125	180	225	65	125	95	320	250	14	14	-	730	315	405	83.5
NRM2 100X80X160B	132	80	100	1	125	180	225	65	125	95	320	250	14	14	-	730	315	405	90.5
NRM2 100X80X200D	160	80	100	2	125	180	250	65	420	370	320	254	14	20	222	839	360	430	150
NRM2 100X80X200C	160	80	100	2	125	180	250	65	420	370	320	254	14	20	222	839	360	430	192

NOCCHI NRM2 125x100

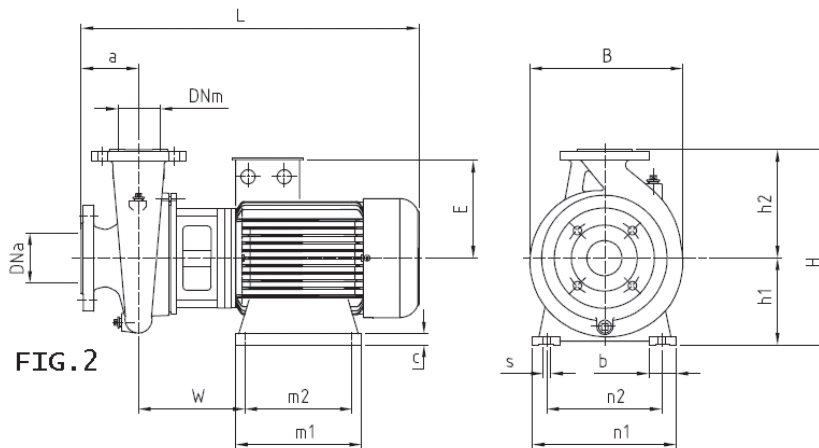
STANDARDIZED MONOBLOC CENTRIFUGAL PUMPS (2-4 POLE)

PERFORMANCE TABLE

MOD.	P2		Volt	In (A) 3X440	Q m.c.a. / m.w.c.	L/min	1000	1250	1500	1750	2000	2250	2500	2750	3000	3500	4000	4500	5000
	HP	kW				m³/h	60	75	90	105	120	135	150	165	180	210	240	270	300
NRM2 125x100x200D	30	22	400/690	38.6					39	38	37	36	34.5	33	31.5	28	24		

MEI ≥ 0.1 - MEI reference ≥ 0.70 - The reference efficiency information is available on the website: www.europump.org/efficiencycharts
For efficiency data, see www.nocchi.it

"Flange UNI PN16"					
DN	a1	b1	c1	d1	e1
100	158	180	220	8	18
125	188	210	250	8	18



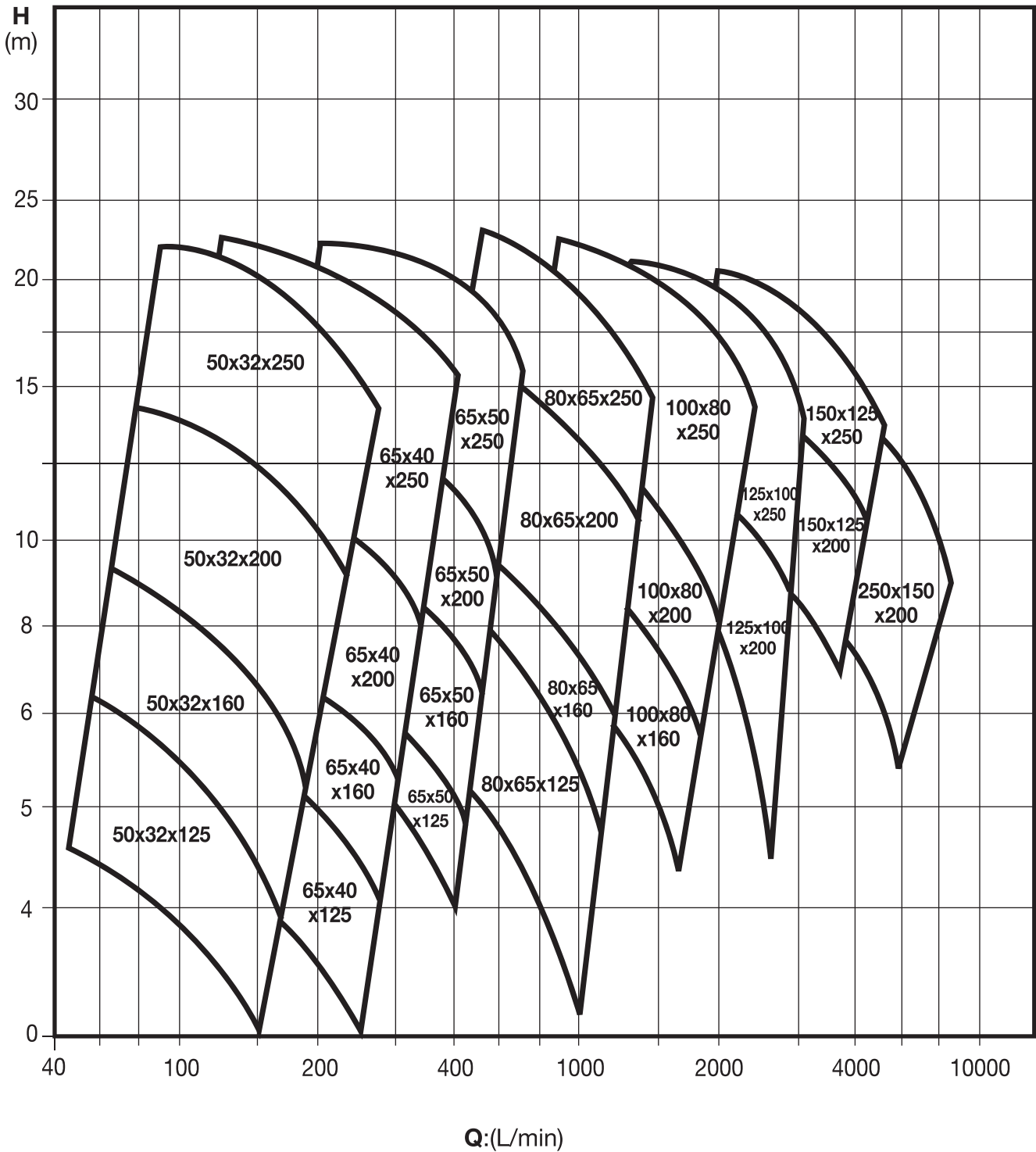
OVERALL DIMENSIONS AND WEIGHTS

MOD.	Motor	DNm	DNa	Dimensions (mm)															Weight (kg)
		PN16 mm	PN16 mm	Fig.	a	h1	h2	b	m1	m2	n1	n2	s	C	W	L ~	B	H	
NRM2 125x100x200D	160	100	125	2	125	180	280	65	420	370	320	254	14	20	222	839	380	460	160

NOCCHI NRM4

STANDARDIZED MONOBLOC CENTRIFUGAL PUMPS (2-4 POLE)

HYDRAULIC PERFORMANCE



NOCCHI NRM4 50x32

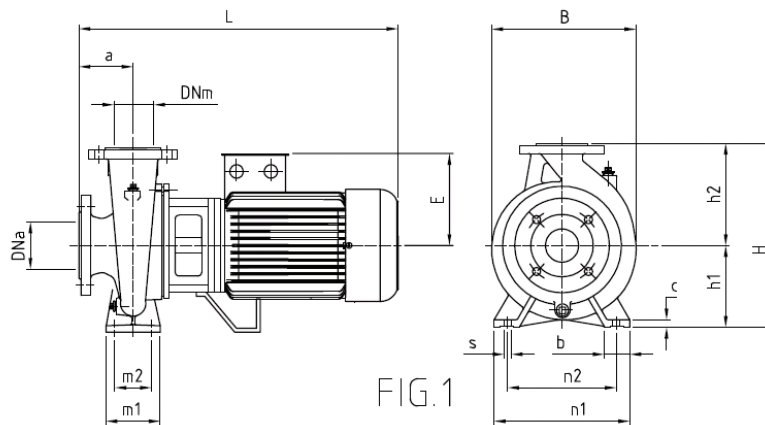
STANDARDIZED MONOBLOC CENTRIFUGAL PUMPS (2-4 POLE)

PERFORMANCE TABLE

MOD.	P2		Volt	In (A) 3X440	Q	L/min	50	75	100	125	150	175	200	225	250	275	300
	HP	kW				m³/h	3	4.5	6	7.5	9	10.5	12	13.5	15	16.5	18
NRM4 50x32x125Y	0.33	0.25	230/400	0.9	m.c.a. / m.w.c.	4.4	4	3.5	3	2.2							
NRM4 50x32x125X	0.33	0.25	230/400	0.9		6.2	6	5.8	5.2	4.5	3.9	3					
NRM4 50X32X160X	0.5	0.37	230/400	1.2		9.4	9.2	8.9	8.3	7.7	6.9	5.8	4.7				
NRM4 50X32X200Y	1	0.75	230/400	1.8		13	12.8	12.4	11.9	11.3	10.6	9.8	9	8	7	6	
NRM4 50X32X200X	1.5	1.1	230/400	2.5			14.5	14.3	13.8	13.3	12.7	11.8	10.9	10	9	8	

MEI ≥ 0.1 - MEI reference ≥ 0.70 - The reference efficiency information is available on the website: www.europump.org/efficiencycharts
For efficiency data, see www.nocchi.it

"Flange UNI PN16"					
DN	a1	b1	c1	d1	e1
32	78	100	140	4	18
50	102	125	165	4	18



OVERALL DIMENSIONS AND WEIGHTS

MOD.	Motor	DNm	DNa	Dimensions (mm)															Weight (kg)
		PN16 mm	PN16 mm	Fig.	a	b	c	m1	m2	n1	n2	s	h1	h2	H	B	L ~	E ~	
NRM4 50x32x125Y	71	32	50	1	80	50	12	100	70	190	140	14	112	140	252	205	405	110	19.5
NRM4 50x32x125X	71	32	50	1	80	50	12	100	70	190	140	14	112	140	252	205	405	110	19.5
NRM4 50X32X160X	71	32	50	1	80	50	12	100	70	240	190	14	132	160	292	240	405	110	23
NRM4 50X32X200Y	80	32	50	1	80	50	12	100	70	240	190	14	160	180	340	255	421	129	31.7
NRM4 50X32X200X	90	32	50	1	80	50	12	100	70	240	190	14	160	180	340	255	456	138	36.8

NOCCHI NRM4 65x40

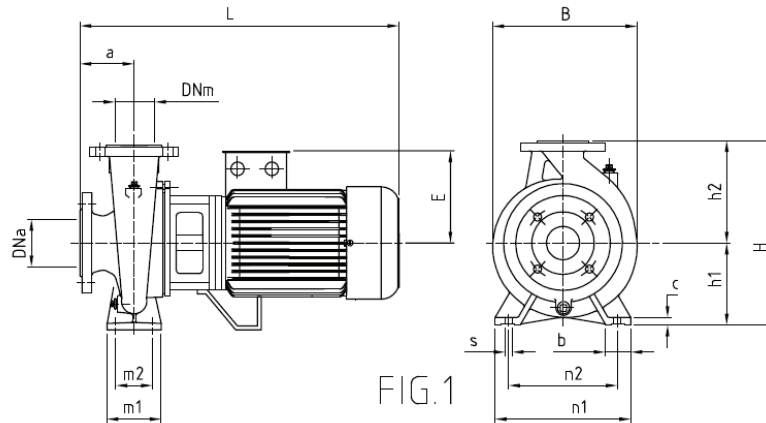
STANDARDIZED MONOBLOC CENTRIFUGAL PUMPS (2-4 POLE)

PERFORMANCE TABLE

MOD.	P2		Volt	In (A) 3X440	Q	L/min	100	125	150	175	200	225	250	275	300	350	400
	HP	kW				m³/h	6	7.5	9	10.5	12	13.5	15	16.5	18	21	24
NRM4 65x40x125Y	0.33	0.25	230/400	0.9	m.c.a. / m.w.c.	4.6	4.5	4.3	4.1	3.9	3.6	3.3	2.9	2.4			
NRM4 65x40x125X	0.5	0.37	230/400	1.2		6.3	6.2	6.1	6	5.8	5.5	5.2	4.9	4.4	3		
NRM4 65x40x160X	0.75	0.55	230/400	1.7		8.8	8.6	8.3	8	7.7	7.3	6.9	6.4	5.9	4.5		
NRM4 65x40x200Y	1.5	1.1	230/400	2.5		12.7	12.5	12.1	11.7	11.2	10.7	10.1	9.3	8.5	7		
NRM4 65x40x200X	1.5	1.1	230/400	2.5		14.2	14	13.8	13.4	13	12.5	11.8	11	10.2	8.3	6	
NRM4 65x40x250Y	2	1.5	230/400	3.4		18.3	18	17.7	17.4	17	16.6	16.2	15.6	15	13.7	12	
NRM4 65x40x250X	3	2.2	230/400	5.1		22.5	22.3	22	21.7	21.4	21	20.5	20	19.5	18.5	17	

MEI ≥ 0.1 - MEI reference ≥ 0.70 - The reference efficiency information is available on the website: www.europump.org/efficiencycharts
For efficiency data, see www.nocchi.it

"Flange UNI PN16"					
DN	a1	b1	c1	d1	e1
40	88	110	150	4	18
65	122	145	185	4	18



OVERALL DIMENSIONS AND WEIGHTS

MOD.	Motor	DNm	DNa	Dimensions (mm)														Weight (kg)	
		PN16 mm	PN16 mm	Fig.	a	b	c	m1	m2	n1	n2	s	h1	h2	H	B	L ~		E ~
NRM4 65x40x125Y	71	40	65	1	80	50	12	100	70	210	160	14	112	140	252	230	405	110	20.5
NRM4 65x40x125X	71	40	65	1	80	50	12	100	70	210	160	14	112	140	252	230	405	110	21.5
NRM4 65x40x160X	71	40	65	1	80	50	12	100	70	240	190	14	132	160	292	230	405	110	25
NRM4 65x40x200Y	90	40	65	1	100	50	12	100	70	265	212	14	160	180	340	285	476	138	39.9
NRM4 65x40x200X	90	40	65	1	100	50	12	100	70	265	212	14	160	180	340	242	476	138	39.9
NRM4 65x40x250Y	90	40	65	1	100	65	12	125	95	320	250	14	180	225	405	325	476	138	49.4
NRM4 65x40x250X	100	40	65	1	100	65	12	125	95	320	250	14	180	225	405	325	415	145	56.9

NOCCHI NRM4 65x50

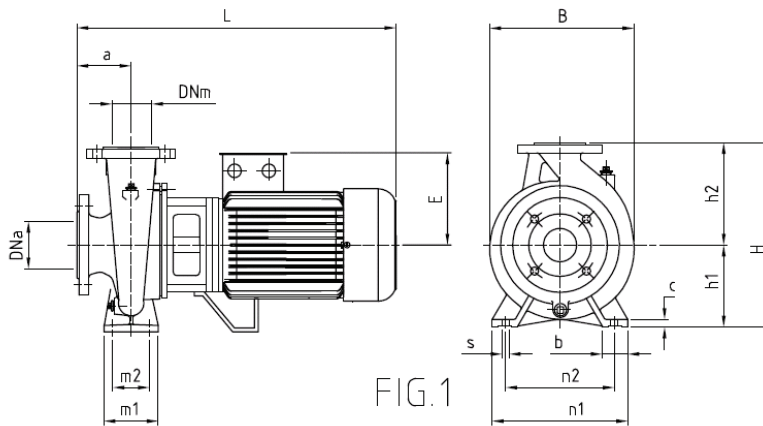
STANDARDIZED MONOBLOC CENTRIFUGAL PUMPS (2-4 POLE)

PERFORMANCE TABLE

MOD.	P2		Volt	In [A] 3X440	Q	L/min	150	175	200	225	250	275	300	350	400	450	500	550	600	650	700		
	HP	kW				m³/h	9	10.5	12	13.5	15	16.5	18	21	24	27	30	33	36	39	42		
NRM4 65x50x125Y	0.5	0.37	230/400	1.2	m.c.a./m.w.c.	5.3	5.3	5.2	5.1	5	4.9	4.8	4.5	4.1	3.6	3							
NRM4 65x50x125X	0.75	0.55	230/400	1.7		6.4	6.3	6.2	6.1	6	5.9	5.8	5.5	5.2	4.9	4.4							
NRM4 65x50x160Y	1	0.75	230/400	1.8				8.2	8	7.9	7.8	7.7	7.4	7.1	6.6	5.8	5	4					
NRM4 65x50x160X	1.5	1.1	230/400	2.5				9	8.9	8.8	8.7	8.6	8.4	8.1	7.7	7.2	6.5	5.5					
NRM4 65x50x200Y	1.5	1.1	230/400	2.5					12.4	12.2	12	11.8	11.5	10.8	10	9	8	7	5.8				
NRM4 65x50x200X	2	1.5	230/400	3.4					14.3	14.2	14.1	14	13.7	13	12.3	11.3	10.2	9.1	7.8	6.4	5		
NRM4 65x50x250Y	3	2.2	230/400	5.1					18.5	18.3	18.1	17.8	17.5	17	16.2	15.5	14.5	13.5	12.5	11.2	10		
NRM4 65x50x250X	4	3	230/400	6.5					22.5	22.4	22.3	22.2	22	21.5	20.9	20.2	19.4	18.5	17.5	16.3	15		

MEI ≥ 0.1 - MEI reference ≥ 0.70 - The reference efficiency information is available on the website: www.europump.org/efficiencycharts
For efficiency data, see www.nocchi.it

"Flange UNI PN16"					
DN	a1	b1	c1	d1	e1
50	102	125	165	4	18
65	122	145	185	4	18



OVERALL DIMENSIONS AND WEIGHTS

MOD.	Motor	DNm	DNa	Dimensions (mm)															Weight (kg)
		PN16 mm	PN16 mm	Fig.	a	b	c	m1	m2	n1	n2	s	h1	h2	H	B	L ~	E ~	
NRM4 65x50x125Y	71	50	65	1	100	50	12	100	70	240	190	14	132	160	292	246	425	110	25
NRM4 65x50x125X	71	50	65	1	100	50	12	100	70	240	190	14	132	160	292	246	425	110	26
NRM4 65x50x160Y	80	50	65	1	100	50	12	100	70	265	212	14	160	180	340	269	441	129	33.7
NRM4 65x50x160X	90	50	65	1	100	50	12	100	70	265	212	14	160	180	340	269	476	138	38.8
NRM4 65x50x200Y	90	50	65	1	100	50	12	100	70	265	250	14	160	200	360	285	476	138	41.9
NRM4 65x50x200X	90	50	65	1	100	50	12	100	70	265	212	14	160	200	360	285	476	138	41.9
NRM4 65x50x250Y	100	50	65	1	100	65	14	125	95	320	250	14	180	225	405	333	415	145	59.9
NRM4 65x50x250X	100	50	65	1	100	65	14	125	95	320	250	14	180	225	405	333	515	145	67

NOCCHI NRM4 80x65

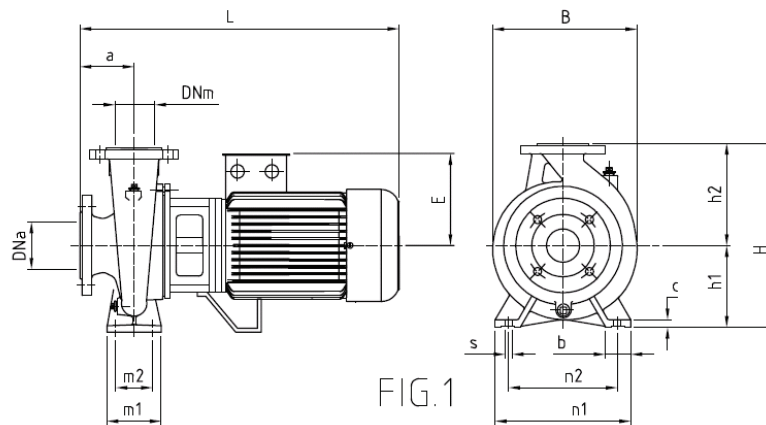
STANDARDIZED MONOBLOC CENTRIFUGAL PUMPS (2-4 POLE)

PERFORMANCE TABLE

MOD.	P2		Volt	In (A) 3X440	Q	Flow Rate																	
	HP	kW				L/min	300	350	400	450	500	550	600	700	800	900	1000	1100	1200	1300	1400		
						m ³ /h	18	21	24	27	30	33	36	42	48	54	60	66	72	78	84		
NRM4 80x65x125X	1	0.75	230/400	1.8	m.c.a. / m.w.c.	5.8	5.7	5.6	5.5	5.3	5.1	4.9	4.5	4									
NRM4 80x65x160Y	1.5	1.1	230/400	2.5		8.6	8.5	8.4	8.3	8.2	8.1	8	7.5	6.8	6	5							
NRM4 80x65x160X	2	1.5	230/400	3.4		10.2	10.1	10	9.9	9.8	9.6	9.4	9	8.5	7.7								
NRM4 80x65x200Y	3	2.2	230/400	5.1				12.5	12.4	12.3	12.2	12.1	11.7	11.1	10.5	9.6	8.5						
NRM4 80x65x200X	4	3	230/400	6.5						15.2	15.1	15	14.6	14.3	13.6	12.8	12	11					
NRM4 80x65x250Y	5.5	4	230/400	8.5						19.5	19.3	19.1	18.4	17.5	16.5	15.5	14	12.5	10.5				
NRM4 80x65x250Y			400/690	8.5																			
NRM4 80x65x250X	7.5	5.5	230/400	10.8						23	22.8	22.6	22.2	21.4	20.6	19.7	18.7	17.5	16	14			
NRM4 80x65x250X			400/690	10.8																			

MEI ≥ 0.1 - MEI reference ≥ 0.70 - The reference efficiency information is available on the website: www.europump.org/efficiencycharts
For efficiency data, see www.nocchi.it

"Flange UNI PN16"					
DN	a1	b1	c1	d1	e1
65	122	145	185	4	18
80	138	160	200	8	18



OVERALL DIMENSIONS AND WEIGHTS

MOD.	Motor	DNm PN16 mm	DNa PN16 mm	Fig.	Dimensions (mm)														Weight (kg)
					a	b	c	m1	m2	n1	n2	s	h1	h2	H	B	L ~	E ~	
NRM4 65x40x125Y	71	40	65	1	80	50	12	100	70	210	160	14	112	140	252	230	405	110	20.5
NRM4 65x40x125X	71	40	65	1	80	50	12	100	70	210	160	14	112	140	252	230	405	110	21.5
NRM4 65x40x160X	71	40	65	1	80	50	12	100	70	240	190	14	132	160	292	230	405	110	25
NRM4 65x40x200Y	90	40	65	1	100	50	12	100	70	265	212	14	160	180	340	285	476	138	39.9
NRM4 65x40x200X	90	40	65	1	100	50	12	100	70	265	212	14	160	180	340	242	476	138	39.9
NRM4 65x40x250Y	90	40	65	1	100	65	12	125	95	320	250	14	180	225	405	325	476	138	49.4
NRM4 65x40x250X	100	40	65	1	100	65	12	125	95	320	250	14	180	225	405	325	415	145	56.9

NOCCHI NRM4 100x80

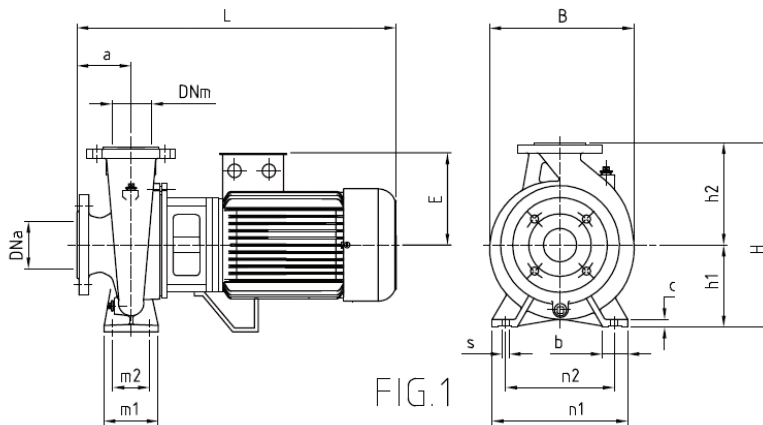
STANDARDIZED MONOBLOC CENTRIFUGAL PUMPS (2-4 POLE)

PERFORMANCE TABLE

MOD.	P2		Volt	In (A) 3X440	Q	Flow Rate																		
	HP	kW				L/min	600	650	700	800	900	1000	1100	1200	1300	1400	1500	1750	2000	2250				
						m ³ /h	36	39	42	48	54	60	66	72	78	84	90	105	120	135				
NRM4 100x80x160Y	2	1.5	230/400	3.4	m.c.a. / m.w.c.	7.7	7.6	7.5	7.3	7	6.7	6.4	6.1	5.8	5.4	5								
NRM4 100x80x160X	3	2.2	230/400	5.1		9.7	9.6	9.5	9.3	9	8.8	8.5	8.2	7.9	7.5	7.1	6							
NRM4 100x80x200Y	4	3	230/400	6.5		12	11.9	11.8	11.5	11.3	11	10.5	10	9.5	9	8.5	7							
NRM4 100x80x200X	5.5	4	230/400	8.5		14.5	14.4	14.2	14	13.8	13.5	13.1	12.7	12.2	11.6	11	9	6.5						
NRM4 100x80x200X			400/690	8.5																				
NRM4 100x80x250Y	7.5	5.5	230/400	10.8						19	18.5	18	17.5	17	16.5	16	14	12						
NRM4 100x80x250Y			400/690	10.8																				
NRM4 100x80x250X	10	7.5	230/400	14.4						22	21.9	21.7	21.2	20.8	20.5	20	18.5	16.8	14.5					
NRM4 100x80x250X			400/690	14.4																				

MEI ≥ 0.1 - MEI reference ≥ 0.70 - The reference efficiency information is available on the website: www.europump.org/efficiencycharts
For efficiency data, see www.nocchi.it

"Flange UNI PN16"					
DN	a1	b1	c1	d1	e1
80	138	160	200	8	18
100	158	180	220	8	18



OVERALL DIMENSIONS AND WEIGHTS

MOD.	Motor	DNm PN16 mm	DNa PN16 mm	Fig.	Dimensions (mm)														Weight (kg)
					a	b	c	m1	m2	n1	n2	s	h1	h2	H	B	L ~	E ~	
NRM4 100x80x160Y	90	80	100	1	125	65	14	125	95	320	250	14	180	225	405	330	501	138	46.9
NRM4 100x80x160X	100	80	100	1	125	65	14	125	95	320	250	14	180	225	405	330	440	145	53.9
NRM4 100x80x200Y	100	80	100	1	125	65	12	125	95	345	280	14	180	250	430	355	552	145	70
NRM4 100x80x200X	112	80	100	1	125	65	12	125	95	345	280	14	180	250	430	355	574	160	81.9
NRM4 100x80x250Y	132	80	100	1	125	80	14	160	120	400	315	18	200	280	480	400	631	194	113.1
NRM4 100x80x250X	132	80	100	1	125	80	14	160	120	400	315	18	200	280	480	400	671	194	127

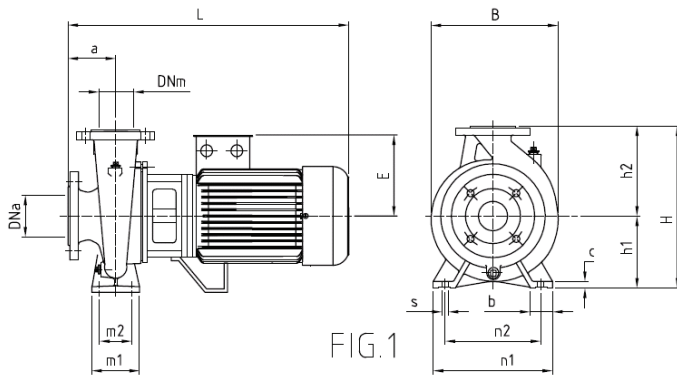
NOCCHI NRM4 125x100

STANDARDIZED MONOBLOC CENTRIFUGAL PUMPS (2-4 POLE)

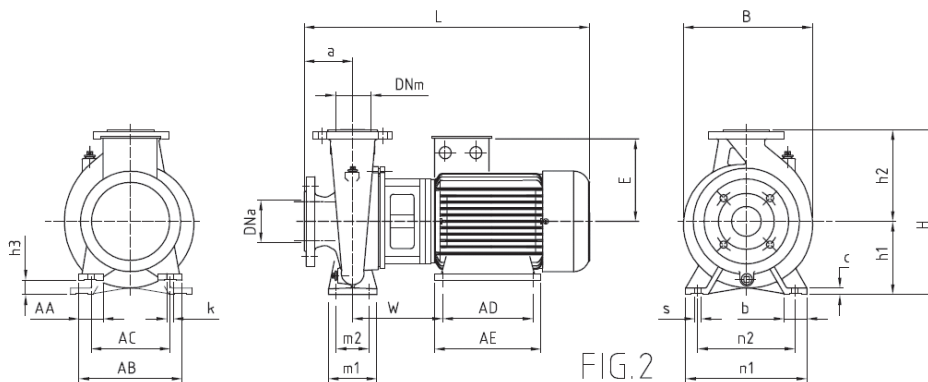
PERFORMANCE TABLE

MOD.	P2		Volt	In (A) 3X440	Q	L/min m³/h	900	1000	1100	1200	1300	1400	1500	1750	2000	2250	2500	2750	3000	
	HP	kW					54	60	66	72	78	84	90	105	120	135	150	165	180	
NRM4 125x100x200Y	5.5	4	230/400	8.5	m.c.a. / m.w.c.		12.4	12.2	12	11.8	11.6	11.4	11.2	10.3	9.3	8.2	6.8	4.8		
NRM4 125x100x200X			400/690	8.5			14.5	14.4	14.2	14	13.8	13.6	13.4	12.8	12	11	10	8.5		
NRM4 125x100x250Y	7.5	5.5	230/400	10.8				19.5	19.3	19.1	18.9	18.7	18.5	17.5	16.5	15.2	14	12		
NRM4 125x100x250X			400/690	10.8				22	21.9	21.8	21.7	21.6	21.3	20.5	19.6	18.5	17	15	13	
NRM4 125x100x250X	10	7.5	230/400	14.4																
NRM4 125x100x250X	15	11	230/400	22																
NRM4 125x100x250X			400/690	22																

MEI ≥ 0.1 - MEI reference ≥ 0.70 - The reference efficiency information is available on the website: www.europump.org/efficiencycharts
For efficiency data, see www.nocchi.it



"Flange UNI PN16"					
DN	a1	b1	c1	d1	e1
65	122	145	185	4	18
80	138	160	200	8	18



OVERALL DIMENSIONS AND WEIGHTS

MOD.	Motor	DNm	DNa	Fig.	Dimensions (mm)																	Weight (kg)						
					PN16 mm	PN16 mm	a	b	c	m1	m2	n1	n2	s	h1	h2	h3	H	AA	AB	AC		AD	AE	k	W	B	L
NRM4 125x100x200Y	112	100	125	1	125	80	14	160	120	360	280	18	200	280	-	480	-	-	-	-	-	-	-	-	385	574	160	79.9
NRM4 125x100x200X	132	100	125	1	125	80	14	160	120	360	280	18	200	280	-	480	-	-	-	-	-	-	-	-	385	631	194	107.1
NRM4 125x100x250Y	132	100	125	1	140	80	14	160	120	400	315	18	225	280	-	505	-	-	-	-	-	-	-	-	420	686	194	126
NRM4 125x100x250X	160	100	125	2	140	80	14	160	120	400	315	18	225	280	65	505	76	320	254	210	270	14	191	420	779	238	161	

NOCCHI NRM4 150x125

STANDARDIZED MONOBLOC CENTRIFUGAL PUMPS (2-4 POLE)

PERFORMANCE TABLE

MOD.	P2		Volt	In (A) 3X440	Q	L/min	1800	2000	2500	3000	3500	4000	4500	5000	
	HP	kW				m ³ /h	108	120	150	180	210	240	270	300	
NRM4 150x125x200W	7.5	5.5	400/690	10.8	m.c.a. / m.w.c.	10.4	10.2	9.4	8.3	6.8					
NRM4 150x125x200Z	10	7.5	400/690	14.4		11.6	11.5	10.9	9.9	8.6	7				
NRM4 150x125x200Y	10	7.5	400/690	14.4		13	12.8	12.3	11.6	10.5	9.1	7.5			
NRM4 150x125x200X	15	11	400/690	22		14.3	14.2	13.8	13.2	12.3	11.1	9.6	8		
NRM4 150x125x250Z	15	11	400/690	22		17	16.6	15.7	14.4	12.6					
NRM4 150x125x250Y	20	15	400/690	29			19.8	19	18	16.6	15				
NRM4 150x125x250X	20	15	400/690	29			20.8	19.7	18.6	17	15.2	13.2			

MEI ≥ 0.1 - MEI reference ≥ 0.70 - The reference efficiency information is available on the website: www.europump.org/efficiencycharts
For efficiency data, see www.nocchi.it

"Flange UNI PN16"					
DN	a1	b1	c1	d1	e1
65	122	145	185	4	18
80	138	160	200	8	18

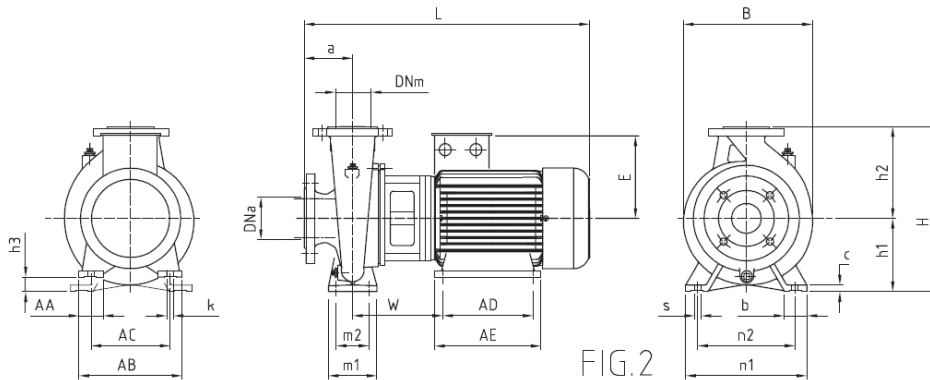


FIG.2

OVERALL DIMENSIONS AND WEIGHTS

MOD.	Motor	DNm	DNa	Dimensions (mm)																				Weight (kg)			
		PN16 mm	PN16 mm	Fig.	a	b	c	m1	m2	n1	n2	s	h1	h2	h3	H	AA	AB	AC	AD	AE	k	W		B	L	E
NRM4 150x125x200W	132	125	150	2	140	80	14	160	120	400	315	18	250	280	118	565	59	256	216	140	180	12	230	470	657	194	137.1
NRM4 150x125x200Z	132	125	150	2	140	80	14	160	120	400	315	18	250	315	118	565	59	256	216	178	218	12	241	470	697	194	148
NRM4 150x125x200Y	132	125	150	2	140	80	14	160	120	400	315	18	250	315	118	565	59	256	216	178	218	12	241	470	697	194	155
NRM4 150x125x200X	160	125	150	2	140	80	14	160	120	400	315	18	250	315	90	565	76	320	254	210	270	14	241	470	790	238	187
NRM4 150x125x250Z	160	125	150	2	140	80	16	160	120	400	315	18	250	355	90	605	76	320	254	210	270	14	260	470	790	238	197.5
NRM4 150x125x250Y	160	125	150	2	140	80	16	160	120	400	315	18	250	355	90	605	76	320	254	254	310	14	260	470	854	238	205
NRM4 150x125x250X	160	125	150	2	140	80	16	160	120	400	315	18	250	355	90	605	76	320	254	254	310	14	280	470	854	238	205

NOCCHI NRM4 200x150

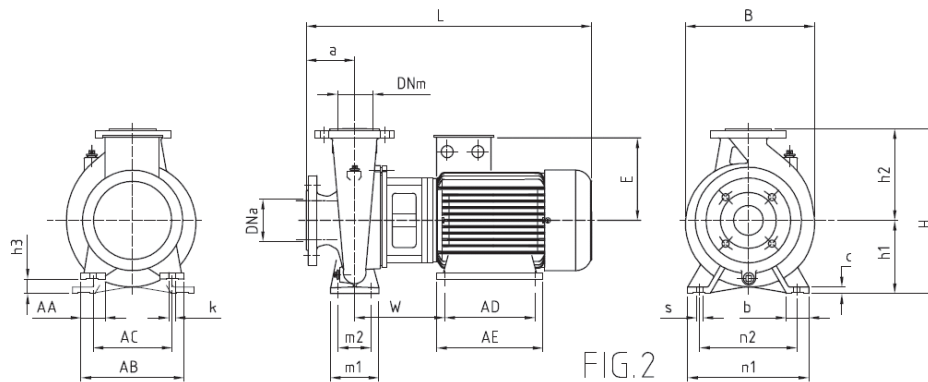
STANDARDIZED MONOBLOC CENTRIFUGAL PUMPS (2-4 POLE)

PERFORMANCE TABLE

MOD.	P2		Volt	In (A) 3X440	Q	L/min	2500	3000	3500	4000	4500	5000	5500	6000	6500	
	HP	kW				m³/h	150	180	210	240	270	300	330	360	390	
NRM4 200x150x200W	7.5	5.5	400/690	14.4	m.c.a. / m.w.c.	10.4	9.7	8.9	7.9	6.7	5.5					
NRM4 200x150x200Z	15	11	400/690	22		11.5	10.9	10.2	9.3	8.3	7	5.8				
NRM4 200x150x200Y	15	11	400/690	22			13.3	12.6	12	11.1	10.1	9	7.6			
NRM4 200x150x200X	20	15	400/690	29			14.5	14	13.2	12.5	11.6	10.6	9.4	8		

MEI ≥ 0.1 - MEI reference ≥ 0.70 - The reference efficiency information is available on the website: www.europump.org/efficiencycharts
For efficiency data, see www.nocchi.it

"Flange UNI PN16"					
DN	a1	b1	c1	d1	e1
65	122	145	185	4	18
80	138	160	200	8	18



OVERALL DIMENSIONS AND WEIGHTS

MOD.	Motor	DNm	DNa	Dimensions (mm)																			Weight (kg)				
		PN16 mm	PN16 mm	Fig.	a	b	c	m1	m2	n1	n2	s	h1	h2	h3	H	AA	AB	AC	AD	AE	k		W	B	L	E
NRM4 200x150x200W	132	150	200	2	160	100	22	200	155	550	450	24	280	400	148	680	59	256	216	178	218	12	280	550	717	194	181
NRM4 200x150x200Z	160	150	200	2	160	100	22	200	155	550	450	24	280	400	120	680	76	320	254	210	270	14	241	550	810	238	210.5
NRM4 200x150x200Y	160	150	200	2	160	100	22	200	155	550	450	24	280	400	120	680	76	320	254	210	270	14	260	550	810	238	218
NRM4 200x150x200X	160	150	200	2	160	100	22	200	155	550	450	24	280	400	120	680	76	320	254	254	310	14	260	550	874	238	220