



8BHEL



Hoogeindsestraat 5
 NL - 5447 PD Rijkevoort
 Nederland
 T : +31 (0) 485 - 371318
 F : +31 (0) 485 - 371918
 info@pompentechniek.nl
 www.pompentechniek.nl

8" SUBMERSED CENTRIFUGAL PUMPS in AISI 316



Submersed electric pump with semi-axial discharge in AISI 316 stainless steel for wells with depth of 8" and over. This range of submersed pumps has been developed specifically for high flow rate pumping requirements.

APPLICATIONS

- Water provisioning from deep wells
- Water supply and pressure boosting
- Irrigation systems
- Treating waters, filtering and reverse osmosis
- Industrial cooling systems
- Fountains
- Fire-fighting systems

TECHNICAL DETAILS

- Corrosion-proof
- Strong
- Reliable
- Compact
- Also suitable for horizontal functioning

TECHNICAL DATA

- Maximum sand content: 50 ppm
- Maximum temperature of the liquid: 50°C
- 2 pole motor in bath of liquid refrigerant (OY) or in water bath (WY),
- Protection rating IP58 (OY), IP68 (WY)
- 380V -10% 50 Hz three phase voltage (OY)
- 400V +6% 50 Hz three phase voltage (OY)
- 380V -10% 50 Hz three phase voltage (WY)
- 415V +6% 50 Hz three phase voltage (WY)
- Class of insulation F (6" OY version)
- (8" WY version)
- B (6" WY version)
- Motor support for coupling to 6" motors
- Motor joint and coupling flange in compliance with NEMA Standards
- For cables dimensioning (see page 41)

MATERIALS

- Completely in AISI 316
- Impellers and semi-axial discharge nozzles in stainless steel
- Wear ring in Teflon, shaft guide support in ceramic

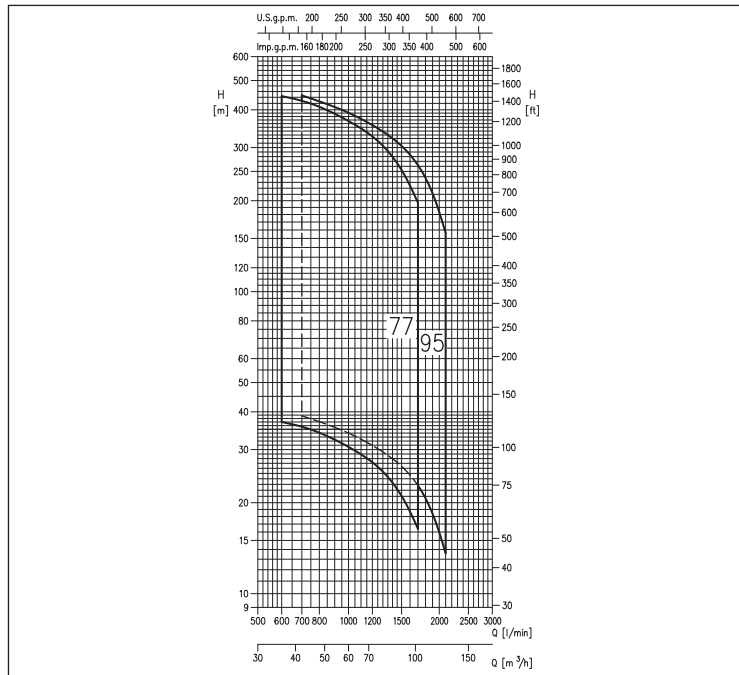
CONTROL PANELS

- 1EPBH (see page 43)

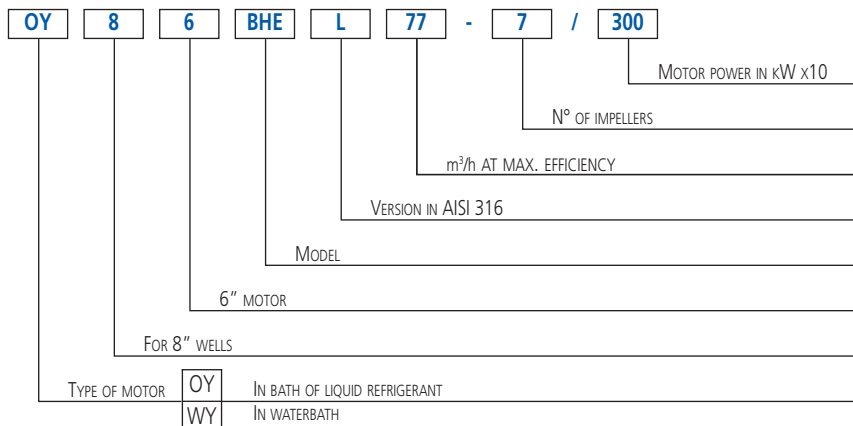
ACCESSORIES (on request)

- Junction for cable GPS-1 (for 4x1.5 and 4x2.5 cables)
- Junction for cable GPS-2 (for 4x4 and 4x6 cables)
- Casting resin cable junction 92A1 (section 1.5±10 mm²)
- Casting resin cable junction 92A2 (section 4±25 mm²)
- PVC 5m key float with counter-weight
- PVC 10 m key float with counter-weight
- PVC 20 m key float with counter-weight

PERFORMANCE RANGE (according to ISO 9906 Attachment A)



IDENTIFICATION CODE



8" SUBMERSED CENTRIFUGAL PUMPS

in AISI 316

PERFORMANCE TABLE

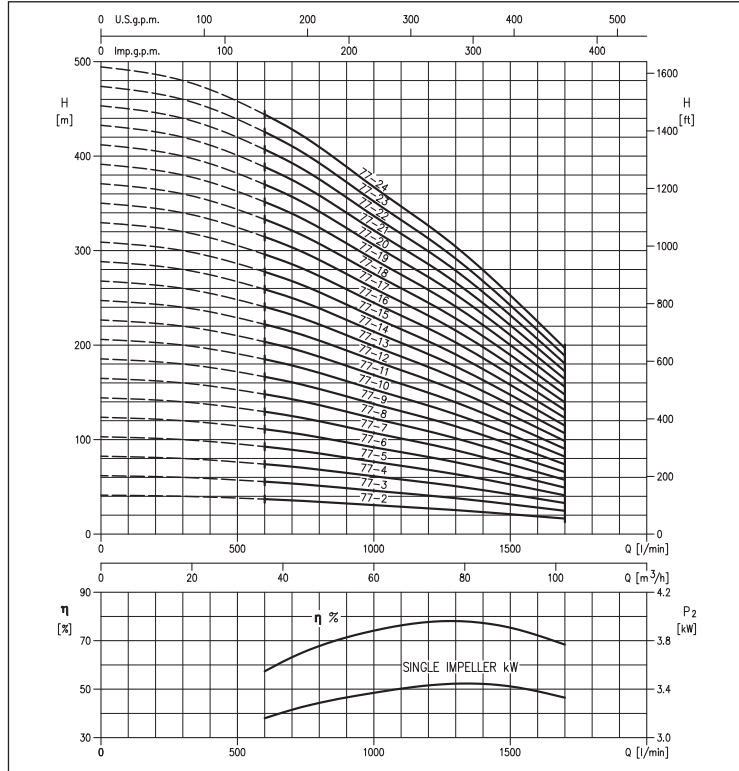
| Model | Motor size | P ₂ | | l/min m ³ /h | 600 36 | 700 42 | 1000 60 | Q=Flow rate | | | | |
|-----------------|------------|----------------|------|----------------------------|-----------|-----------|------------|-------------|------------|-------------|-------------|-------------|
| | | [HP] | [kW] | | | | | 1250 75 | 1500 90 | 1700 102 | 1900 114 | 2100 126 |
| H=Head [m] | | | | | | | | | | | | |
| 86 BHEL 77 - 2 | 6" | 10 | 7,5 | 37,0 | | 35,7 | 30,6 | 26,3 | 21,1 | 16,4 | - | - |
| 86 BHEL 77 - 3 | 6" | 15 | 11 | 55,5 | | 53,5 | 46,0 | 39,5 | 31,6 | 24,6 | - | - |
| 86 BHEL 77 - 4 | 6" | 20 | 15 | 74,0 | | 71,5 | 61,0 | 52,5 | 42,0 | 32,8 | - | - |
| 86 BHEL 77 - 5 | 6" | 25 | 18,5 | 92,5 | | 89,5 | 76,5 | 66,0 | 52,5 | 41,0 | - | - |
| 86 BHEL 77 - 6 | 6" | 30 | 22 | 111,0 | | 107,0 | 92,0 | 79,0 | 63,0 | 49,0 | - | - |
| 86 BHEL 77 - 7 | 6" | 40 | 30 | 130,0 | | 125,0 | 107,0 | 92,0 | 73,5 | 57,5 | - | - |
| 86 BHEL 77 - 8 | 6" | 40 | 30 | 148,0 | | 143,0 | 122,0 | 105,0 | 84,0 | 65,5 | - | - |
| 86 BHEL 77 - 9 | 6" | 40 | 30 | 167,0 | | 161,0 | 138,0 | 118,0 | 95,0 | 74,0 | - | - |
| 86 BHEL 77 - 10 | 6" | 50 | 37 | 185,0 | | 179,0 | 153,0 | 132,0 | 105,0 | 82,0 | - | - |
| 86 BHEL 77 - 11 | 6" | 50 | 37 | 204,0 | | 196,0 | 168,0 | 145,0 | 116,0 | 90,0 | - | - |
| 8 BHEL 77 - 12 | 8" | 60 | 45 | 222,0 | | 214,0 | 184,0 | 158,0 | 126,0 | 98,5 | - | - |
| 8 BHEL 77 - 13 | 8" | 75 | 55 | 241,0 | | 232,0 | 199,0 | 171,0 | 137,0 | 107,0 | - | - |
| 8 BHEL 77 - 14 | 8" | 75 | 55 | 259,0 | | 250,0 | 214,0 | 184,0 | 147,0 | 115,0 | - | - |
| 8 BHEL 77 - 15 | 8" | 75 | 55 | 278,0 | | 268,0 | 230,0 | 197,0 | 158,0 | 123,0 | - | - |
| 8 BHEL 77 - 16 | 8" | 100 | 75 | 296,0 | | 286,0 | 245,0 | 210,0 | 168,0 | 131,0 | - | - |
| 8 BHEL 77 - 17 | 8" | 100 | 75 | 315,0 | | 303,0 | 260,0 | 224,0 | 179,0 | 139,0 | - | - |
| 8 BHEL 77 - 18 | 8" | 100 | 75 | 333,0 | | 321,0 | 275,0 | 237,0 | 190,0 | 148,0 | - | - |
| 8 BHEL 77 - 19 | 8" | 100 | 75 | 352,0 | | 339,0 | 291,0 | 250,0 | 200,0 | 156,0 | - | - |
| 8 BHEL 77 - 20 | 8" | 100 | 75 | 370,0 | | 357,0 | 306,0 | 263,0 | 211,0 | 164,0 | - | - |
| 8 BHEL 77 - 21 | 8" | 100 | 75 | 389,0 | | 375,0 | 321,0 | 276,0 | 221,0 | 172,0 | - | - |
| 8 BHEL 77 - 22 | 8" | 125 | 93 | 407,0 | | 393,0 | 337,0 | 289,0 | 232,0 | 180,0 | - | - |
| 8 BHEL 77 - 23 | 8" | 125 | 93 | 426,0 | | 411,0 | 352,0 | 302,0 | 242,0 | 189,0 | - | - |
| 8 BHEL 77 - 24 | 8" | 125 | 93 | 444,0 | | 428,0 | 367,0 | 316,0 | 253,0 | 197,0 | - | - |
| 86 BHEL 95 - 2 | 6" | 12,5 | 9,2 | - | | 38,8 | 34,0 | 30,2 | 26,4 | 22,8 | 18,4 | 13,6 |
| 86 BHEL 95 - 3 | 6" | 20 | 15 | - | | 58,0 | 51,0 | 45,5 | 39,6 | 34,2 | 27,6 | 20,4 |
| 86 BHEL 95 - 4 | 6" | 25 | 18,5 | - | | 77,5 | 68,0 | 60,5 | 53,0 | 45,5 | 36,8 | 27,2 |
| 86 BHEL 95 - 5 | 6" | 30 | 22 | - | | 97,0 | 85,0 | 75,5 | 66,0 | 57,0 | 46,0 | 34,0 |
| 86 BHEL 95 - 6 | 6" | 40 | 30 | - | | 116,0 | 102,0 | 90,5 | 79,0 | 68,5 | 55,0 | 41,0 |
| 86 BHEL 95 - 7 | 6" | 40 | 30 | - | | 136,0 | 119,0 | 106,0 | 92,5 | 80,0 | 64,5 | 47,5 |
| 86 BHEL 95 - 8 | 6" | 50 | 37 | - | | 155,0 | 136,0 | 121,0 | 106,0 | 91,0 | 73,5 | 54,5 |
| 86 BHEL 95 - 9 | 6" | 50 | 37 | - | | 175,0 | 153,0 | 136,0 | 119,0 | 103,0 | 83,0 | 61,0 |
| 8 BHEL 95 - 10 | 8" | 60 | 45 | - | | 194,0 | 170,0 | 151,0 | 132,0 | 114,0 | 92,0 | 68,0 |
| 8 BHEL 95 - 11 | 8" | 75 | 55 | - | | 213,0 | 187,0 | 166,0 | 145,0 | 125,0 | 101,0 | 75,0 |
| 8 BHEL 95 - 12 | 8" | 75 | 55 | - | | 233,0 | 204,0 | 181,0 | 158,0 | 137,0 | 110,0 | 81,5 |
| 8 BHEL 95 - 13 | 8" | 75 | 55 | - | | 252,0 | 221,0 | 196,0 | 172,0 | 148,0 | 120,0 | 88,5 |
| 8 BHEL 95 - 14 | 8" | 100 | 75 | - | | 272,0 | 238,0 | 211,0 | 185,0 | 160,0 | 129,0 | 95,0 |
| 8 BHEL 95 - 15 | 8" | 100 | 75 | - | | 291,0 | 255,0 | 227,0 | 198,0 | 171,0 | 138,0 | 102,0 |
| 8 BHEL 95 - 16 | 8" | 100 | 75 | - | | 310,4 | 272,0 | 242,0 | 211,0 | 182,0 | 147,0 | 109,0 |
| 8 BHEL 95 - 17 | 8" | 100 | 75 | - | | 330,0 | 289,0 | 257,0 | 224,0 | 194,0 | 156,0 | 116,0 |
| 8 BHEL 95 - 18 | 8" | 125 | 93 | - | | 349,0 | 306,0 | 272,0 | 238,0 | 205,0 | 166,0 | 122,0 |
| 8 BHEL 95 - 19 | 8" | 125 | 93 | - | | 369,0 | 323,0 | 287,0 | 251,0 | 217,0 | 175,0 | 129,0 |
| 8 BHEL 95 - 20 | 8" | 125 | 93 | - | | 388,0 | 340,0 | 302,0 | 264,0 | 228,0 | 184,0 | 136,0 |
| 8 BHEL 95 - 21 | 8" | 125 | 93 | - | | 407,0 | 357,0 | 317,0 | 277,0 | 239,0 | 193,0 | 143,0 |
| 8 BHEL 95 - 22 | 8" | 150 | 110 | - | | 427,0 | 374,0 | 332,0 | 290,0 | 251,0 | 202,0 | 150,0 |
| 8 BHEL 95 - 23 | 8" | 150 | 110 | - | | 446,0 | 391,0 | 347,0 | 304,0 | 262,0 | 212,0 | 156,0 |

8" SUBMERSED CENTRIFUGAL PUMPS

in AISI 316

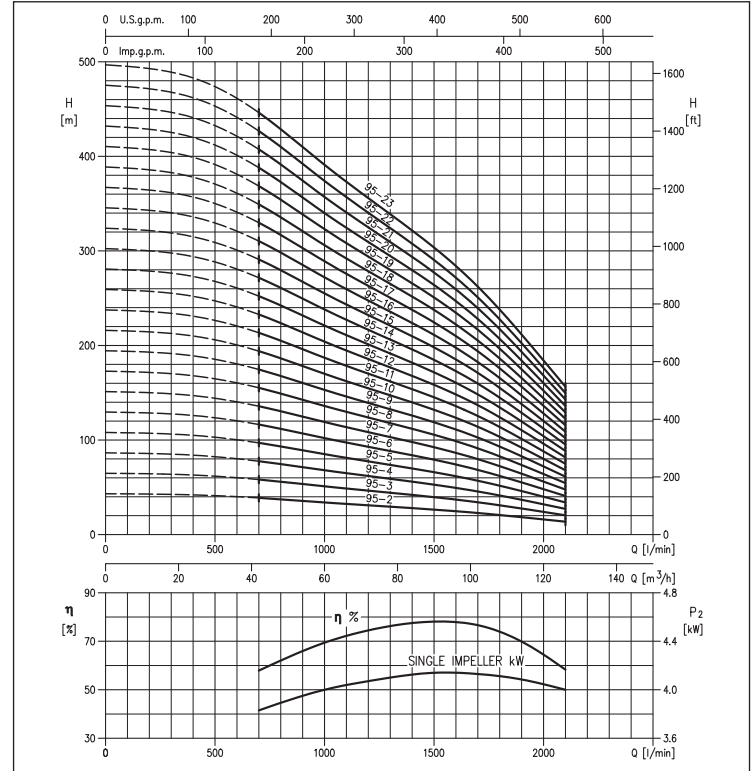
8(6)BHEL 77 range PERFORMANCE CURVES

(according to ISO 9906 Attachment A)



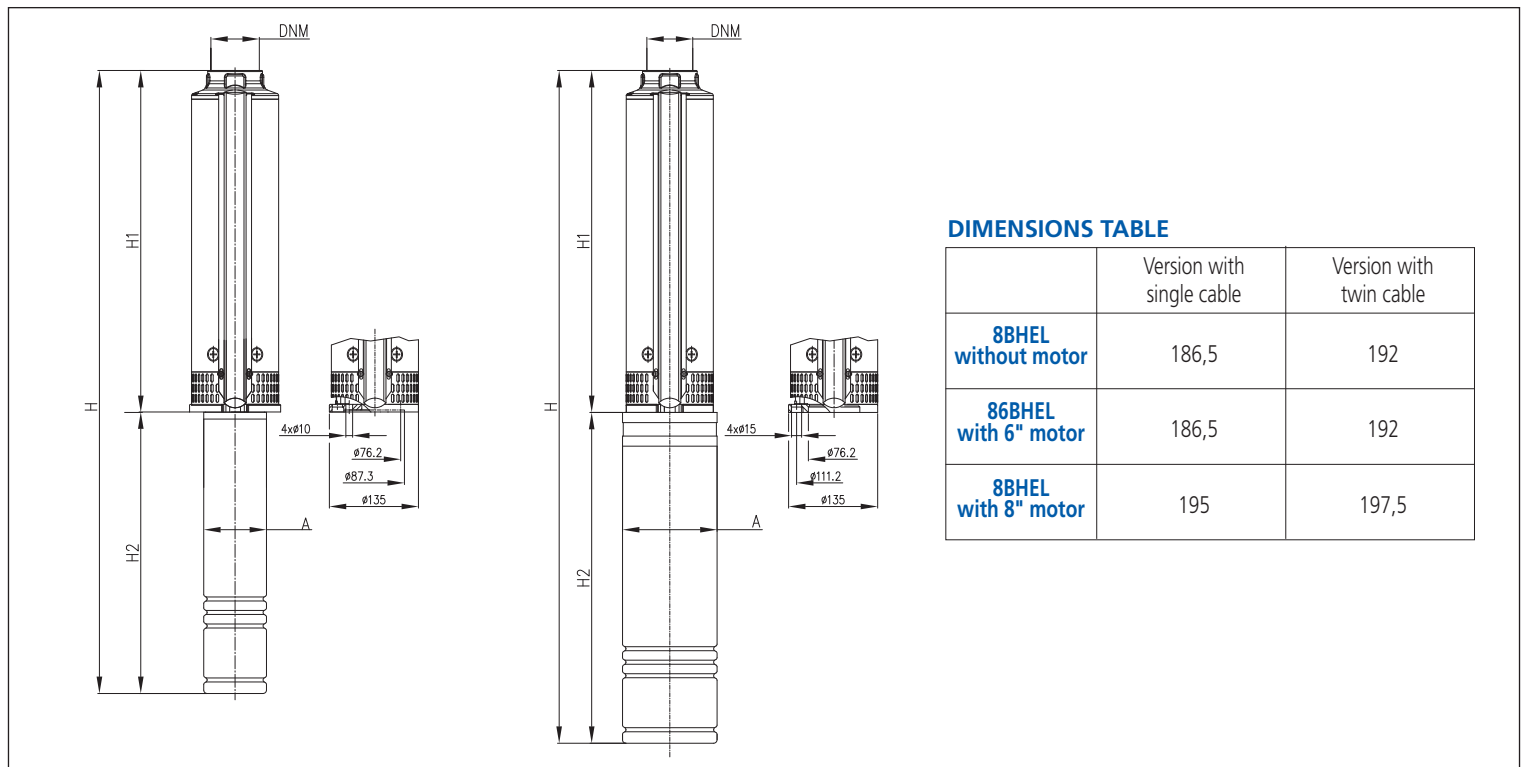
8(6)BHEL 95 range PERFORMANCE CURVES

(according to ISO 9906 Attachment A)



DIMENSIONS

Pump with 6" motor connection (86BHEL) Pump with 8" motor connection (8BHEL)



DIMENSIONS TABLE

| | Version with single cable | Version with twin cable |
|-----------------------------|---------------------------|-------------------------|
| 8BHEL without motor | 186,5 | 192 |
| 86BHEL with 6" motor | 186,5 | 192 |
| 8BHEL with 8" motor | 195 | 197,5 |

8" SUBMERSED CENTRIFUGAL PUMPS

in AISI 316

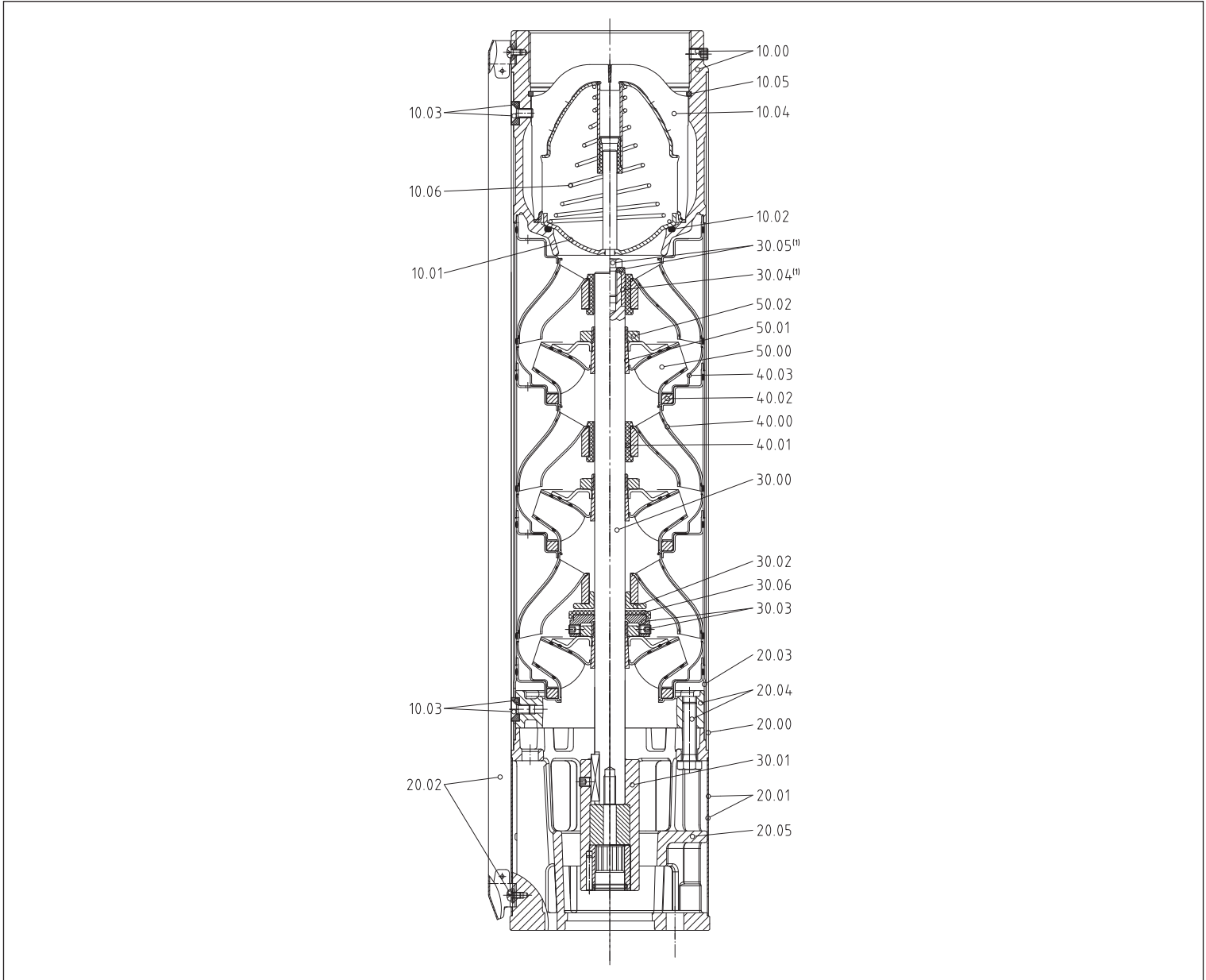
DIMENSIONS TABLE

| Model | Motor size | P ₂ | | Pump without motor | | | Pump with motor in bath of liquid refrigerant | | | | Pump with motor in water bath | | | |
|-----------------|------------|----------------|------|--------------------|-----|-------------|---|---------|--------|-------------|-------------------------------|---------|--------|-------------|
| | | [HP] | [kW] | H1 [mm] | DNM | Weight [kg] | A [mm] | H2 [mm] | H [mm] | Weight [kg] | A [mm] | H2 [mm] | H [mm] | Weight [kg] |
| 86 BHEL 77 - 2 | 6" | 10 | 7,5 | 644 | G5 | 31,5 | 139 | 600 | 1244 | 74 | 137 | 646 | 1290 | - |
| 86 BHEL 77 - 3 | 6" | 15 | 11 | 770 | G5 | 36,5 | 139 | 700 | 1470 | 85 | 137 | 711 | 1481 | - |
| 86 BHEL 77 - 4 | 6" | 20 | 15 | 896 | G5 | 41,5 | 139 | 760 | 1656 | 96 | 137 | 776 | 1672 | 98 |
| 86 BHEL 77 - 5 | 6" | 25 | 18,5 | 1022 | G5 | 46,5 | 139 | 830 | 1852 | 112 | 137 | 842 | 1864 | 110 |
| 86 BHEL 77 - 6 | 6" | 30 | 22 | 1148 | G5 | 51,0 | 139 | 890 | 2038 | 121 | 137 | 907 | 2055 | 120 |
| 86 BHEL 77 - 7 | 6" | 40 | 30 | 1274 | G5 | 56,0 | 139 | 1030 | 2304 | 146 | 137 | 1037 | 2311 | 140 |
| 86 BHEL 77 - 8 | 6" | 40 | 30 | 1400 | G5 | 61,0 | 139 | 1030 | 2430 | 151 | 137 | 1037 | 2437 | 145 |
| 86 BHEL 77 - 9 | 6" | 40 | 30 | 1526 | G5 | 66,0 | 139 | 1030 | 2556 | 156 | 137 | 1037 | 2563 | 150 |
| 86 BHEL 77 - 10 | 6" | 50 | 37 | 1652 | G5 | 71,0 | - | - | - | - | 137 | 1405 | 3057 | 206 |
| 86 BHEL 77 - 11 | 6" | 50 | 37 | 1778 | G5 | 76,0 | - | - | - | - | 137 | 1405 | 3183 | 211 |
| 8 BHEL 77 - 12 | 8" | 60 | 45 | 1909 | G5 | 82,0 | - | - | - | - | 191 | 1077 | 2986 | 227 |
| 8 BHEL 77 - 13 | 8" | 75 | 55 | 2035 | G5 | 87,0 | - | - | - | - | 191 | 1204 | 3239 | 262 |
| 8 BHEL 77 - 14 | 8" | 75 | 55 | 2161 | G5 | 92,0 | - | - | - | - | 191 | 1204 | 3365 | 267 |
| 8 BHEL 77 - 15 | 8" | 75 | 55 | 2287 | G5 | 97,0 | - | - | - | - | 191 | 1204 | 3491 | 272 |
| 8 BHEL 77 - 16 | 8" | 100 | 75 | 2413 | G5 | 101,5 | - | - | - | - | 191 | 1395 | 3808 | 315 |
| 8 BHEL 77 - 17 | 8" | 100 | 75 | 2539 | G5 | 106,5 | - | - | - | - | 191 | 1395 | 3934 | 320 |
| 8 BHEL 77 - 18 | 8" | 100 | 75 | 2665 | G5 | 111,5 | - | - | - | - | 191 | 1395 | 4060 | 325 |
| 8 BHEL 77 - 19 | 8" | 100 | 75 | 2791 | G5 | 116,5 | - | - | - | - | 191 | 1395 | 4186 | 330 |
| 8 BHEL 77 - 20 | 8" | 100 | 75 | 2917 | G5 | 121,0 | - | - | - | - | 191 | 1395 | 4312 | 334 |
| 8 BHEL 77 - 21 | 8" | 100 | 75 | 3043 | G5 | 126,0 | - | - | - | - | 191 | 1395 | 4438 | 339 |
| 8 BHEL 77 - 22 | 8" | 125 | 93 | 3169 | G5 | 131,0 | - | - | - | - | 191 | 1747 | 4916 | 422 |
| 8 BHEL 77 - 23 | 8" | 125 | 93 | 3295 | G5 | 136,0 | - | - | - | - | 191 | 1747 | 5042 | 427 |
| 8 BHEL 77 - 24 | 8" | 125 | 93 | 3421 | G5 | 141,0 | - | - | - | - | 191 | 1747 | 5168 | 432 |
| 86 BHEL 95 - 2 | 6" | 12,5 | 9,2 | 644 | G5 | 31,5 | 139 | 600 | 1244 | 77 | 137 | 678,7 | 1323 | 79 |
| 86 BHEL 95 - 3 | 6" | 20 | 15 | 770 | G5 | 36,5 | 139 | 760 | 1530 | 91 | 137 | 776 | 1546 | 93 |
| 86 BHEL 95 - 4 | 6" | 25 | 18,5 | 896 | G5 | 41,5 | 139 | 830 | 1726 | 107 | 137 | 842 | 1738 | 105 |
| 86 BHEL 95 - 5 | 6" | 30 | 22 | 1022 | G5 | 46,0 | 139 | 890 | 1912 | 116 | 137 | 907 | 1929 | 115 |
| 86 BHEL 95 - 6 | 6" | 40 | 30 | 1148 | G5 | 51,0 | 139 | 1030 | 2178 | 141 | 137 | 1037 | 2185 | 135 |
| 86 BHEL 95 - 7 | 6" | 40 | 30 | 1274 | G5 | 56,0 | 139 | 1030 | 2304 | 146 | 137 | 1037 | 2311 | 140 |
| 86 BHEL 95 - 8 | 6" | 50 | 37 | 1400 | G5 | 61,0 | - | - | - | - | 137 | 1405 | 2805 | 196 |
| 86 BHEL 95 - 9 | 6" | 50 | 37 | 1526 | G5 | 66,0 | - | - | - | - | 137 | 1405 | 2931 | 201 |
| 8 BHEL 95 - 10 | 8" | 60 | 45 | 1657 | G5 | 72,0 | - | - | - | - | 191 | 1077 | 2734 | 217 |
| 8 BHEL 95 - 11 | 8" | 75 | 55 | 1783 | G5 | 77,0 | - | - | - | - | 191 | 1204 | 2987 | 252 |
| 8 BHEL 95 - 12 | 8" | 75 | 55 | 1909 | G5 | 82,0 | - | - | - | - | 191 | 1204 | 3113 | 257 |
| 8 BHEL 95 - 13 | 8" | 75 | 55 | 2035 | G5 | 87,0 | - | - | - | - | 191 | 1204 | 3239 | 262 |
| 8 BHEL 95 - 14 | 8" | 100 | 75 | 2161 | G5 | 92,0 | - | - | - | - | 191 | 1395 | 3556 | 305 |
| 8 BHEL 95 - 15 | 8" | 100 | 75 | 2287 | G5 | 97,0 | - | - | - | - | 191 | 1395 | 3682 | 310 |
| 8 BHEL 95 - 16 | 8" | 100 | 75 | 2413 | G5 | 102,0 | - | - | - | - | 191 | 1395 | 3808 | 315 |
| 8 BHEL 95 - 17 | 8" | 100 | 75 | 2539 | G5 | 106,5 | - | - | - | - | 191 | 1395 | 3934 | 320 |
| 8 BHEL 95 - 18 | 8" | 125 | 93 | 2665 | G5 | 111,5 | - | - | - | - | 191 | 1747 | 4412 | 403 |
| 8 BHEL 95 - 19 | 8" | 125 | 93 | 2791 | G5 | 116,5 | - | - | - | - | 191 | 1747 | 4538 | 408 |
| 8 BHEL 95 - 20 | 8" | 125 | 93 | 2917 | G5 | 121,0 | - | - | - | - | 191 | 1747 | 4664 | 412 |
| 8 BHEL 95 - 21 | 8" | 125 | 93 | 3043 | G5 | 126,0 | - | - | - | - | 191 | 1747 | 4790 | 417 |
| 8 BHEL 95 - 22 | 8" | 150 | 110 | 3169 | G5 | 131,0 | - | - | - | - | 191 | 1975 | 5144 | 465 |
| 8 BHEL 95 - 23 | 8" | 150 | 110 | 3295 | G5 | 136,0 | - | - | - | - | 191 | 1975 | 5270 | 470 |

8" SUBMERSED CENTRIFUGAL PUMPS

in AISI 316

SECTIONAL VIEW



MATERIALS TABLE

| Ref. | Name | Material | Ref. | Name | Material |
|-------|----------------------------|----------------------|-------|--|---|
| 10 00 | 5" discharge fitting | EN 1.4401 (AISI 316) | 30 01 | Motor joint | EN 1.4401 (AISI 316)+EN 1.4460 (AISI 329) |
| 10 01 | Valve | EN 1.4401 (AISI 316) | 30 02 | Upper thrust block washer | EN 1.4460 (AISI 329) |
| 10 02 | O-Ring | NBR | 30 03 | Lower thrust block washer | EN 1.4460 (AISI 329) |
| 10 03 | Support screw and blocking | EN 1.4401 (AISI 316) | 30 04 | Upper bearing (1) 9 stages or models | SiC |
| 10 04 | Valve seat | EN 1.4401 (AISI 316) | 30 05 | Screw and washer (1) 17 stages or upper models | EN 1.4401 (AISI 316) |
| 10 05 | Seeger ring | EN 1.4401 (AISI 316) | 30 06 | Thrust block | PTFE |
| 10 06 | Spring | EN 1.4401 (AISI 316) | 40 00 | Stage | EN 1.4401 (AISI 316) |
| 20 00 | External casing | EN 1.4401 (AISI 316) | 40 01 | Intermediate bush | NBR |
| 20 01 | Filter | EN 1.4401 (AISI 316) | 40 02 | Wear ring | PTFE |
| 20 02 | Isolating cover | EN 1.4401 (AISI 316) | 40 03 | Flange | EN 1.4401 (AISI 316) |
| 20 03 | Spacer | EN 1.4401 (AISI 316) | 50 00 | Impeller | EN 1.4401 (AISI 316) |
| 20 04 | Flange and bolt | EN 1.4401 (AISI 316) | 50 01 | Tapered ring | EN 1.4401 (AISI 316) |
| 20 05 | Motor support | EN 1.4401 (AISI 316) | 50 02 | Fixing ring | EN 1.4401 (AISI 316) |
| 30 00 | Shaft | EN 1.4460 (AISI 329) | | | |

8" SUBMERSED CENTRIFUGAL PUMPS

in AISI 316

ELECTRIC DATA TABLE 8(6)BHEL WITH MOTOR IN BATH OF LIQUID REFRIGERANT

| Motor | P ₂ | | P ₁ | Voltage | IN | IA | Efficiency | Power factor |
|-------|----------------|-------|----------------|---------|------|-----|------------|--------------|
| | [HP] | [kW] | [kW] | | | | | |
| 6" | 5,5 | 4 | 5,26 | 380/400 | 8,8 | 45 | 76 | 0,82 |
| | 7,5 | 5,5 | 7,05 | 380/400 | 12,5 | 64 | 78 | 0,82 |
| | 10 | 7,5 | 9,74 | 380/400 | 16,9 | 78 | 77 | 0,82 |
| | 12,5 | 9,2 | 11,50 | 380/400 | 21,5 | 95 | 80 | 0,81 |
| | 15 | 11 | 13,25 | 380/400 | 23,7 | 121 | 83 | 0,83 |
| | 20 | 15 | 18,29 | 380/400 | 30,4 | 160 | 82 | 0,85 |
| | 25 | 18,5 | 22,56 | 380/400 | 38,3 | 225 | 82 | 0,85 |
| | 30 | 22 | 26,51 | 380/400 | 44 | 250 | 83 | 0,86 |
| 40 | 30 | 34,88 | 380/400 | 62 | 330 | 86 | 0,86 | |

ELECTRIC DATA TABLE 8(6)BHEL WITH MOTOR IN WATERBATH

| Motor | P ₂ | | P ₁ | Voltage | IN | IA | Efficiency | Power factor |
|-------|----------------|------|----------------|---------|------|------|------------|--------------|
| | [HP] | [kW] | [kW] | | | | | |
| 6" | 5,5 | 4 | 5,13 | 400 | 9,3 | 43 | 78 | 0,82 |
| | 7,5 | 5,5 | 6,96 | 400 | 12,5 | 64 | 79 | 0,82 |
| | 10 | 7,5 | 9,49 | 400 | 16 | 83 | 79 | 0,86 |
| | 12,5 | 9,2 | 11,36 | 400 | 20,7 | 112 | 81 | 0,80 |
| | 15 | 11 | 13,58 | 400 | 23,3 | 129 | 81 | 0,85 |
| | 20 | 15 | 18,52 | 400 | 31,3 | 169 | 81 | 0,85 |
| | 25 | 18,5 | 22,56 | 400 | 38,5 | 231 | 82 | 0,85 |
| | 30 | 22 | 26,51 | 400 | 45,3 | 268 | 83 | 0,84 |
| | 40 | 30 | 36,14 | 400 | 63,5 | 393 | 83 | 0,84 |
| | 50 | 37 | 43,79 | 400 | 73 | 410 | 84,5 | 0,87 |
| 8" | 60 | 45 | 51,72 | 400 | 89 | 645 | 87 | 0,85 |
| | 75 | 55 | 62,5 | 400 | 108 | 862 | 88 | 0,87 |
| | 100 | 75 | 86,21 | 400 | 145 | 1157 | 87 | 0,87 |
| | 125 | 93 | 106,9 | 400 | 190 | 1332 | 87 | 0,83 |
| | 150 | 110 | 125 | 400 | 222 | 1597 | 88 | 0,84 |