

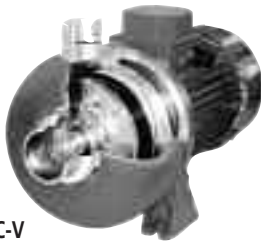
DWC

CLOSED IMPELLER CENTRIFUGAL ELECTRIC PUMPS

in AISI 304



DWC-N



DWC-V

Closed impeller centrifugal electric pumps in AISI 304 stainless steel.

APPLICATIONS

- Cooling, air-conditioning and heating systems
- Chiller
- Washing systems
- Provisioning of civil and industrial water

TECHNICAL DETAILS

- Available in versions with threaded (DWC-N) and Victaulic connections (DWC-V)
- Insulation as per standard for the Victaulic version (DWC-V)

TECHNICAL DATA

- Maximum working pressure: 8 bar
- Temperature of the liquid: from -15°C to +90°C
- Self-ventilated 2 pole asynchronous motor
- Class of insulation F
- IP55 Protection rating
- 230/400V ± 10% 50Hz three phase voltage
- Protection under user's responsibility for the three phase version
- G2 suction and discharge connection for DWC-N
- Ø2" (60.3 mm) suction and discharge connection for DWC-V

MATERIALS

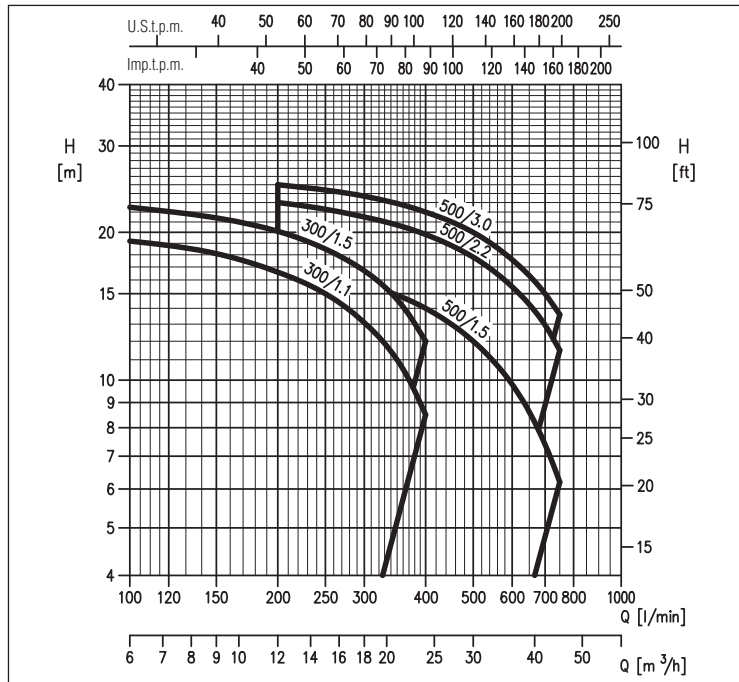
- Pump body, seal housing disc, impeller and shaft in AISI 304
- Support and motor casing in aluminium
- Mechanical seal in:
 - Ceramic/Carbon/EPDM (standard)
 - Ceramic/Carbon/FPM (H version)
 - SiC/SiC/FPM (HS version)
 - Tungsten carbide/Tungsten carbide/FPM (HW version)
 - SiC/Tungsten carbide/FPM (HSW version)

ACCESSORIES (on request)

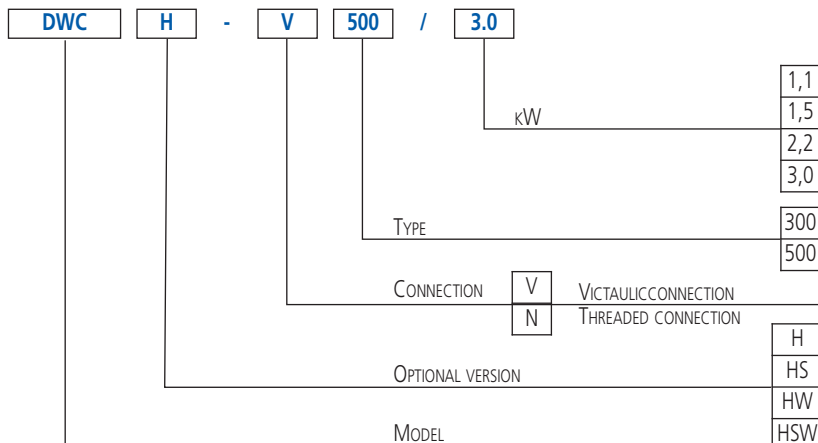
- DWC body insulation casing



PERFORMANCE RANGE (according to ISO 9906 Attachment A)



IDENTIFICATION CODE



CLOSED IMPELLER CENTRIFUGAL ELECTRIC PUMPS

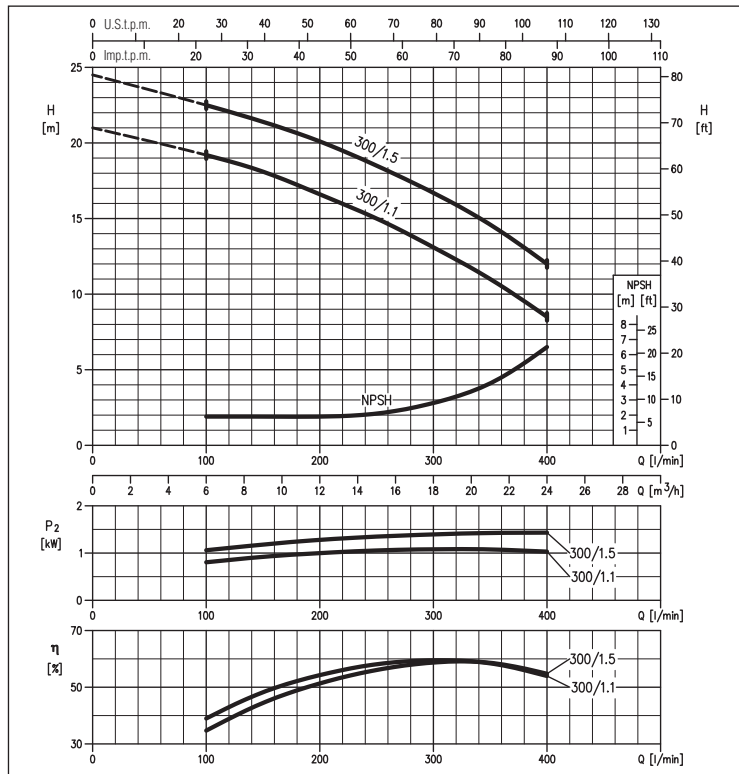
in AISI 304

PERFORMANCE TABLE

Model Three phase 230/400V	P ₂		Q=Flow rate												
	[HP]	[kW]	l/min	100	150	200	250	300	350	400	500	600	700	750	
			m ³ /h	6	9	12	15	18	21	24	30	36	42	45	
				H=Head [m]											
DWC 300/1,1	1,5	1,1	19,2	18,1	16,6	15,0	13,1	11,0	8,5	-	-	-	-	-	
DWC 300/1,5	2	1,5	22,5	21,4	20,1	18,5	16,7	14,6	12,0	-	-	-	-	-	
DWC 500/1,5	2	1,5	-	-	17,0	16,4	15,7	14,9	14,0	12,0	9,8	7,4	6,2	-	
DWC 500/2,2	3	2,2	-	-	23,0	22,3	21,5	20,7	19,8	17,8	15,5	13,0	11,5	-	
DWC 500/3,0	4	3	-	-	25,0	24,4	23,7	22,9	22,0	20,0	17,6	15,0	13,6	-	

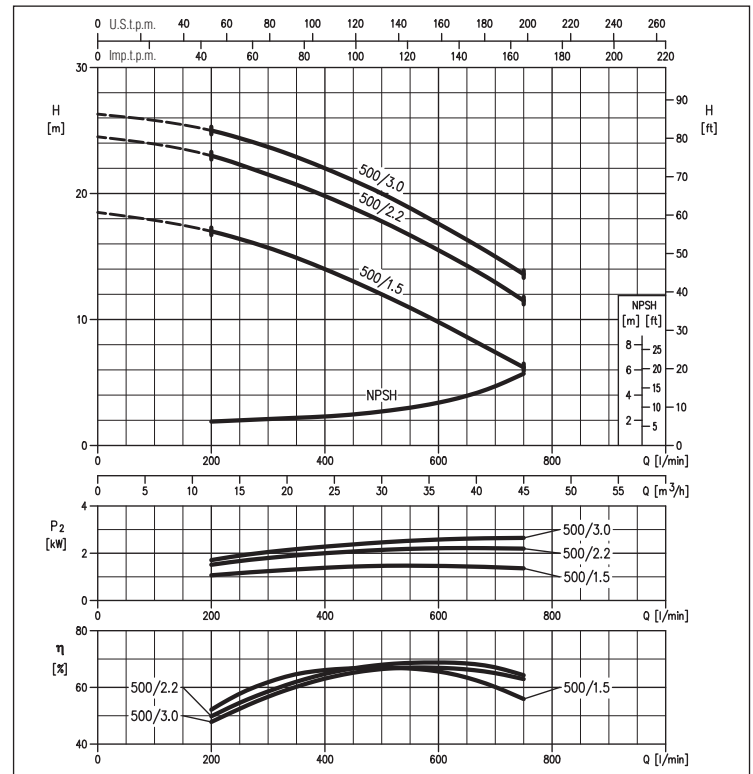
DWC 300 range PERFORMANCE CURVES

(according to ISO 9906 Attachment A)

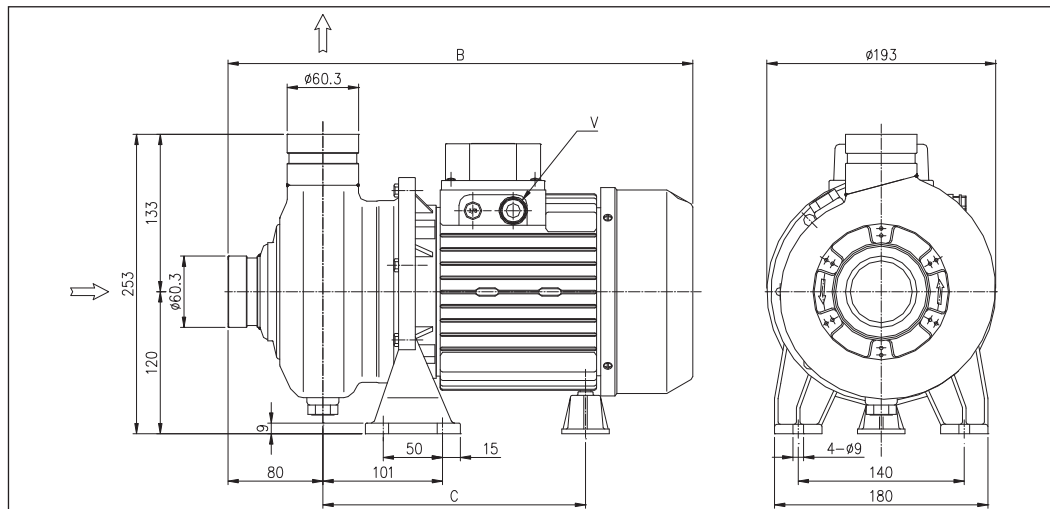


DWC 500 range PERFORMANCE CURVES

(according to ISO 9906 Attachment A)



DWC-V DIMENSIONS (VICTAULIC CONNECTION)



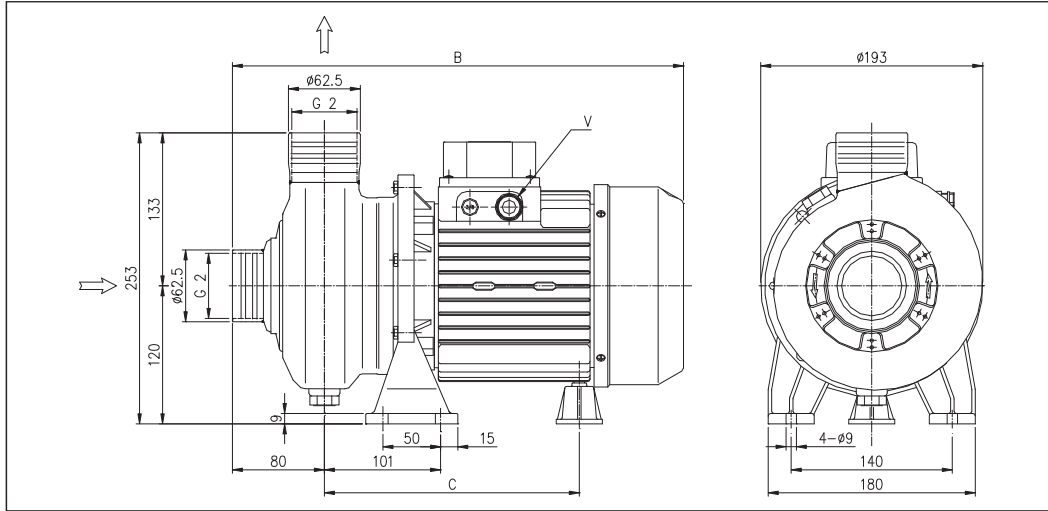
DIMENSIONS TABLE

Model	Dimensions [mm]	Weight [kg]
	B C V	
DWC 300/1,1	371,5 197,5 PG11	13,6
DWC 300/1,5	371,5 197,5 PG11	14,2
DWC 500/1,5	371,5 197,5 PG11	15,0
DWC 500/2,2	392 221,5 PG13,5	17,1
DWC 500/3,0	392 221,5 PG13,5	20,0

CLOSED IMPELLER CENTRIFUGAL ELECTRIC PUMPS

in AISI 304

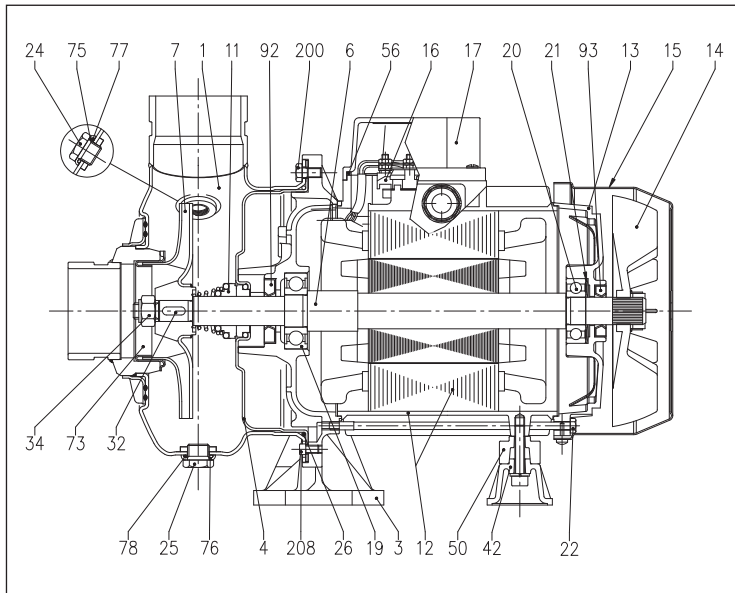
DWC-N DIMENSIONS (THREADED CONNECTION)



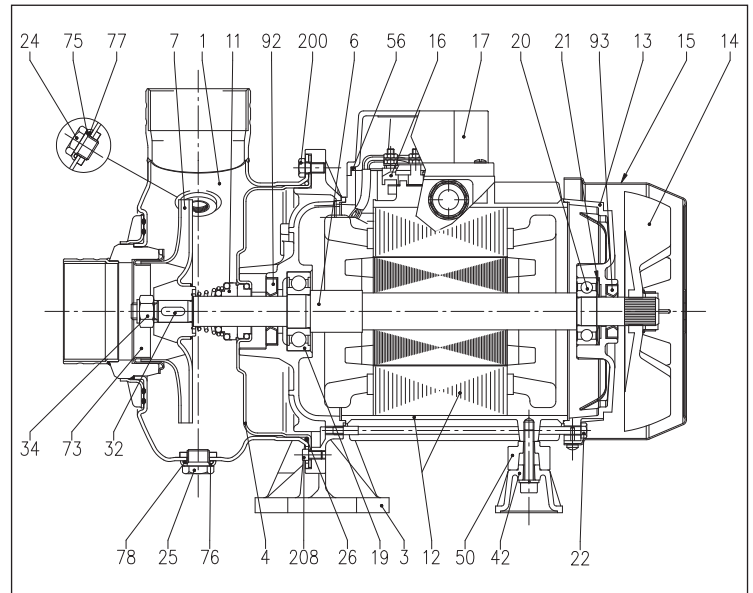
DIMENSIONS TABLE

Model	Dimensions [mm]			Weight [kg]
	B	C	V	
DWC 300/1,1	371,5	197,5	PG11	13,6
DWC 300/1,5	371,5	197,5	PG11	14,2
DWC 500/1,5	371,5	197,5	PG11	15,0
DWC 500/2,2	392	221,5	PG13,5	17,1
DWC 500/3,0	392	221,5	PG13,5	20,0

DWC-V SECTIONAL VIEW (VICTAULIC CONNECTION)

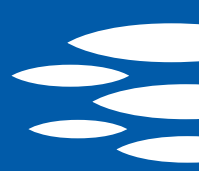


DWC-N SECTIONAL VIEW (THREADED CONNECTION)



MATERIALS TABLE

Ref.	Name	Material	Ref.	Name	Material
001	Pump body	EN 1.4301 (AISI 304)	025	Drain plug	EN 1.4301 (AISI 304)
003	Motor support	Aluminium	026	O-Ring	EPDM/FPM (H and W versions)
004	Seal housing disc	EN 1.4301 (AISI 304)	032	Key	EN 1.4401 (AISI 316)
006	Shaft	EN 1.4301 (AISI 304)	034	Impeller nut	EN 1.4301 (AISI 304)
007	Impeller	EN 1.4301 (AISI 304)	042	Foot	Aluminium/Galvanised steel
011	Mechanical seal	Ceramic/Carbon/EPDM	050	Spacer	-
012	Motor casing	-	056	Terminal box cover gaskets	NBR
013	Motor cover	Aluminium	073	Wear ring	EN 1.4301 (AISI 304)
014	Fan	Polyamide	075	Washer	AISI 304
015	Fan cover	Fe P04 galvanised steel	076	Washer	AISI 304
016	Terminal box	-	077	O-Ring	EPDM/FPM (H and W versions)
017	Terminal box cover box	Aluminium	078	O-Ring	EPDM/FPM (H and W versions)
019	Bearing (pump side)	-	092	Sealing ring	-
020	Bearing (motor side)	-	093	Sealing ring	-
021	Adjusting ring	Steel C70	200	Screw (pump body)	Stainless steel A2-70 class ISO 3506/1
022	Tie-rod	Fe 42 galvanised	208	Screw	Stainless steel A2-70 class ISO 3506/1
024	Filler cap	EN 1.4301 (AISI 304)			

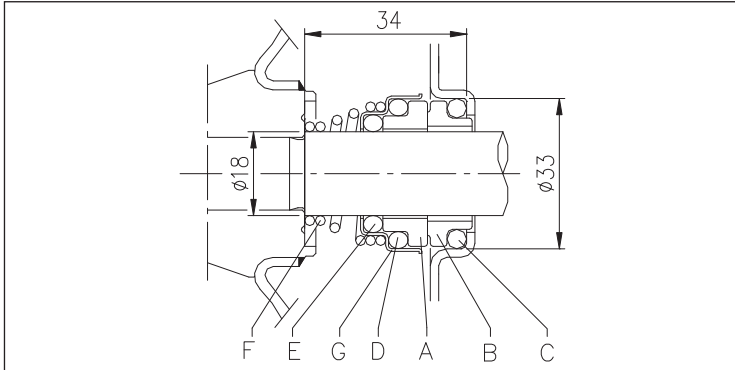


DWC

CLOSED IMPELLER CENTRIFUGAL ELECTRIC PUMPS

in AISI 304

MECHANICAL SEAL DWC standard



MATERIALS TABLE

Ref.	Name	Material
A	Rotating part	Ceramic
B	Fixed part	Carbon
C	O-Ring	EPDM
D	O-Ring	EPDM
E	O-Ring	EPDM
F	Spring	AISI 316
G	Structure/frame	AISI 304

SPECIAL MECHANICAL SEALS (on request)

Name	H version	HS version	Material	HW version	HSW version
Fixed Part	Carbon	SiC		Tungsten carbide	Tungsten carbide
Rotating Part	Ceramic	SiC		Tungsten carbide	SiC
Elastomers	FPM	FPM		FPM	FPM
Spring	AISI 316	AISI 316		AISI 316	AISI 316
Structure/Frame	AISI 304	AISI 316		AISI 304	AISI 304

ELECTRIC DATA TABLE

Model Three phase 230/400V	P ₂		P ₁ Three phase [kW]	Absorbed Current [A] Three phase	
	[HP]	[kW]		230V	400V
DWC 300/1,1	1,5	1,1	1,36	4,3	2,5
DWC 300/1,5	2	1,5	1,76	5,5	3,2
DWC 500/1,5	2	1,5	1,82	5,9	3,4
DWC 500/2,2	3	2,2	2,93	8,3	4,8
DWC 500/3,0	4	3	3,27	9,7	5,6