

## Argonaut Pump

Swimming Pool

# Argonaut Pump



### The New Generation of Swimming Pool Pumps

Your best choice for small to medium sized pools. Incorporating many technical features that ensure high performance, durability and reliability.

**Mechanical Seal**  
 The seal fitted on the Argonaut Pool Pump is suitable for a wide range of applications including chlorine, bromine, iodine and sea

water (if flushed through with fresh water on shut down).

**Shaft**  
 Stainless steel AISI 316.

Modern compact design

Polypropylene tank high chemical resistance

1 & 3-phase plus 2-speed version

Maintenance friendly

Self priming up to 3m

Clear tank cover and large strainer basket

Silent running

Totally enclosed IPX5 motor

2 3/4" BSP thread on both inlet and outlet

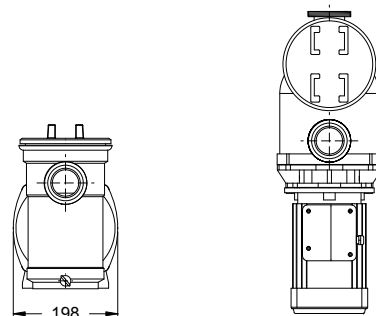
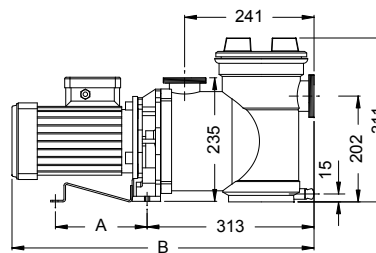
### Argonaut Dimensions

1-Phase	A	B
AV50-2DN-S	144	533
AV75-2DN-S	164	533
AV100-2DN-S	164	533
AV150-2DN-S	164	561
AV200-2DN-S	174	561
AV250-2DN-S	174	564

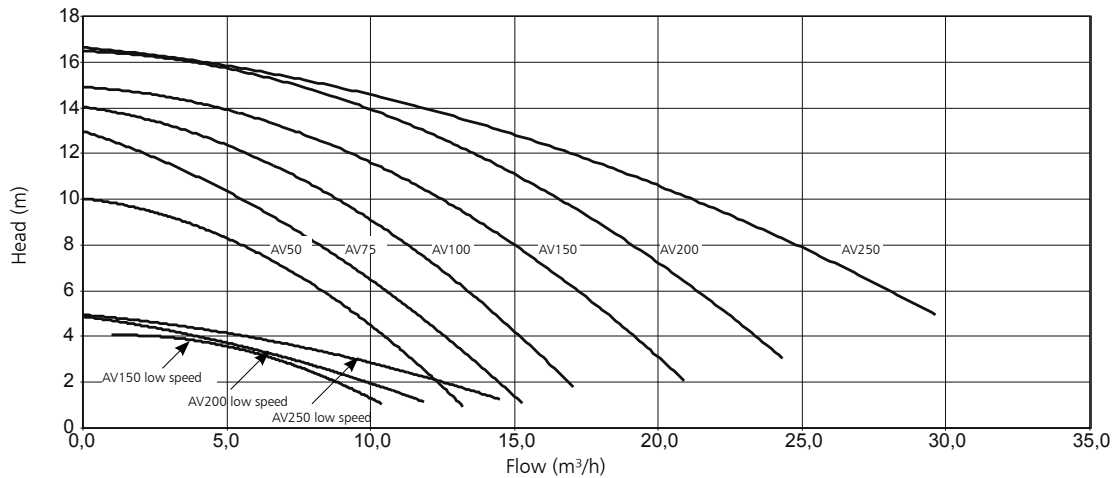
1-Phase / 2-Speed		
AV150-2DZ-S	174	566
AV200-2DZ-S	174	578
AV250-2DZ-S	174	580

3-Phase		
AV50-3DN-S	144	527
AV75-3DN-S	164	533
AV100-3DN-S	164	533
AV150-3DN-S	164	563
AV200-3DN-S	174	563
AV250-3DN-S	174	578

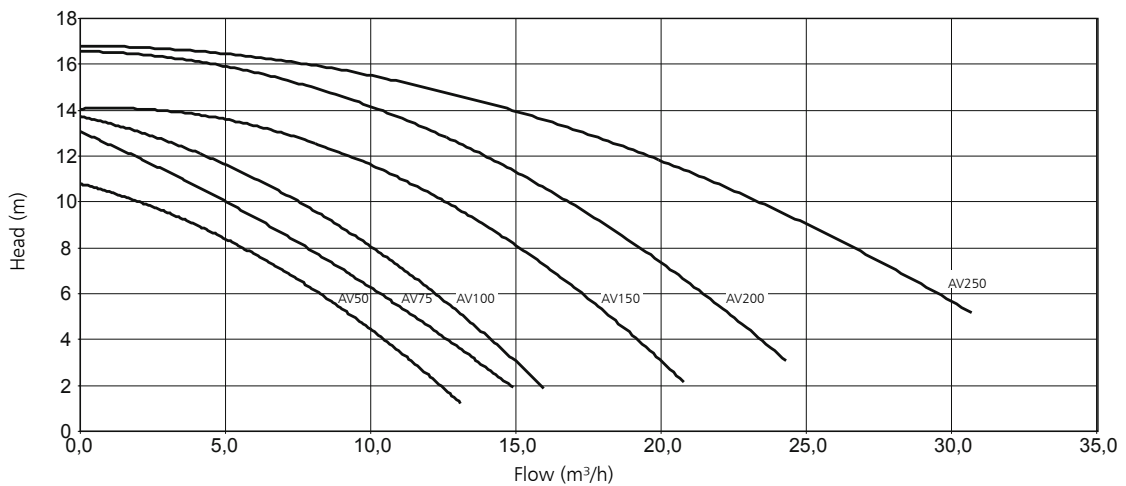
All dimensions in mm.



## Argonaut 1-Phase Performance Curve



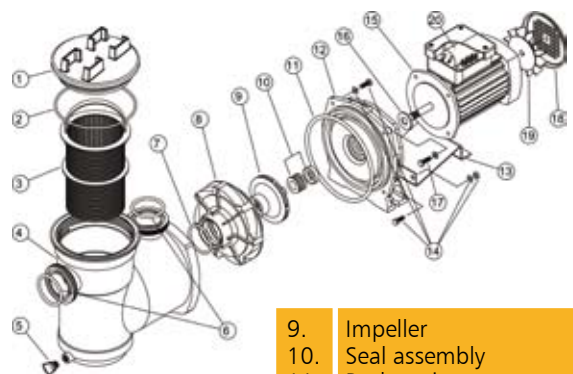
## Argonaut 3-Phase Performance Curve



## Model Overview

	P1		P2		V/Hz
	kW	HP	kW	HP	
<b>Single Phase</b>					
AV50-2DN-S	0.45	0.60	0.24	0.32	230/50
AV75-2DN-S	0.60	0.80	0.37	0.50	230/50
AV100-2DN-S	0.70	0.94	0.55	0.74	230/50
AV150-2DN-S	1.00	1.34	0.75	1.00	230/50
AV200-2DN-S	1.30	1.74	1.10	1.48	230/50
AV250-2DN-S	1.80	2.41	1.50	2.01	230/50
<b>Single Phase / Two Speed</b>					
AV150-2DZ-S	1.00	1.34	0.75	1.00	230/50
AV200-2DZ-S	1.30	1.74	1.10	1.48	230/50
AV250-2DZ-S	1.80	2.41	1.50	2.01	230/50
<b>Three Phase</b>					
AV50-3DN-S	0.45	0.60	0.24	0.32	400/50
AV75-3DN-S	0.60	0.80	0.37	0.50	400/50
AV100-3DN-S	0.70	0.94	0.55	0.74	400/50
AV150-3DN-S	1.00	1.34	0.75	1.00	400/50
AV200-3DN-S	1.30	1.74	1.10	1.48	400/50
AV250-3DN-S	1.80	2.41	1.50	2.01	400/50

## Argonaut Spare Parts



- 1. Clear lid cover
- 2. Lid o-ring
- 3. Strainer basket
- 4. Tank
- 5. Drain plug
- 6. Port o-ring
- 7. Diffuser o-ring
- 8. Diffuser

- 9. Impeller
- 10. Seal assembly
- 11. Body o-ring
- 12. Bracket
- 13. Motor foot
- 14. Bracket / foot screw kit
- 15. Motor
- 16. Slinger washer
- 17. Motor-screw kit
- 18. Fan cover
- 19. Fan
- 20. Capacitor