

TIGER F



Jansen



POMPEN - & WATERTECHNIEK

Hoogeindsestraat 5
NL - 5447 PD Rijkevoort
Nederland
T : +31 (0) 485 - 371318
F : +31 (0) 485 - 371918
info@pompentechniek.nl
www.pompentechniek.nl

ELETTROPOMPE SOMMERGIBILI VORTEX PER ACQUE CARICHE, DOTATE DI CONTROFLANGIA **SUBMERSIBLE VORTEX ELECTRIC PUMPS FOR WASTE WATER, FEATURING A COUNTER FLANGE**

PREVALENZA : 7,0 mt. ÷ 15,5 mt.
PORTATA : 15,6 m³/h ÷ 75,0 m³/h
POTENZA NOMINALE : 0,6 kW (0,8HP) ÷ 3,0 kW (4,0HP)
PASSAGGIO SOLIDI FINO A 80 mm.

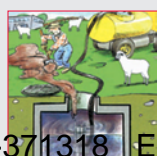
APPLICAZIONI

- SVUOTAMENTO DI FOSSE DI DECANTAZIONE, POZZI DI RACCOLTA LIQUAMI
- POMPAGGIO DI ACQUE LURIDE ANCHE CON CORPI SOLIDI IN SOSPENSIONE
- MOVIMENTAZIONE DI ACQUE LURIDE AD USO DOMESTICO ED INDUSTRIALE

PUMP HEAD : 7,0 mt ÷ 15,5 mt
DELIVERY : 15,6 m³/h ÷ 75,0 m³/h
RATED HORSEPOWER : 0,6 kW (0,8HP) ÷ 3,0 kW (4,0HP)
SOLID MATTER BYPASS up to 80 mm

APPLICATIONS

- DECANTATION PIT, SEWAGE PIT AND SLURRY COLLECTION PIT PUMP OUT.
- PUMP OUT OF LAVATORY/FOUL WATER WITH POSSIBLE FLOATING SOLIDS CONTENTS.
- DOMESTIC AND INDUSTRIAL LAVATORY/BLACK WATER HANDLING SYSTEMS.



AV ARVEN®

CARATTERISTICHE DI COSTRUZIONE

- ELETTOPOMPA A DOPPIA CAMERA (MOTORE, TENUTA MECCANICA).
- ELETTOPOMPA A UNICA CAMERA (SOLO PER TIGER 400F).
- MOTORE A BAGNO D'OLIO (BIODEGRADABILE E DIELETTRICO) PER RAFFREDDAMENTO E LUBRIFICAZIONE CUSCINETTI.
- ANELLO DI TENUTA LATO MOTORE.
- TENUTA MECCANICA A BAGNO D'OLIO.
- DOPPIA TENUTA MECCANICA: LATO MOTORE A BAGNO D'OLIO (SOLO PER TIGER 400F) LATO POMPA A BAGNO D'ACQUA
- IMMERSIONE MASSIMA: mt. 5 .
- GRADO DI PROTEZIONE IP 68 .
- CLASSE DI ISOLAMENTO: F
- TEMPERATURA MAX. LIQUIDO POMPATO:
25°C con pompa PARZIALMENTE immersa.
35°C con pompa TOTALMENTE immersa
- PASSAGGIO LIBERO: 35 mm - TIGER 80F
50 mm - TIGER 100F - 140F - 190F
60 mm - TIGER 150F - 200F
80 mm - TIGER 300F - 400F
- VERSIONI: Monofase: 220-277V/50Hz o 220-277V/60Hz con protettore termico incorporato e condensatore permanentemente inserito.
Trifase: 220-277V/50Hz o 380-480V/50Hz e 220-277V/60Hz o 380-480V/60Hz con protezione da sovraccarico a cura dell'utente.
- POTENZA MOTORE: da 0,6 kW (0,8 HP) a 1,5 kW (2 HP) versione mono fase e trifase.
da 2,2 kW (3 HP) a 3 kW (4 HP) solo versione trifase
- VERSIONI MONOFASI AUTOMATICHE fino a 1,1 kW (1,5 HP).
- VERSIONI MONOFASI da 1,5 kW (2 HP) solo manuali senza galleggiante.
- CAVO STANDARD:
Monofase: 10 metri H07RN-F per versione normale (aut.-man.)
5 metri H07RN-F solo per versione automatica
Trifase: 10 metri H07RN-F
- SPECIALI VOLTAGGI E FREQUENZE A RICHIESTA.

OPTIONAL:

- SISTEMI DI DISCESA DN50-DN80 PER IMPIANTI FISSI (VEDERE PAGINA 100-101)

DESIGN ENGINEERING

- DOUBLE CHAMBER ELECTRIC PUMP (MOTOR, MECHANICAL SEAL).
- SINGLE CHAMBER ELECTRIC PUMP (ONLY FOR TIGER 400F).
- OIL BATH MOTOR (BIODEGRADABLE AND DIELECTRIC) FOR COOLING AND BEARING LUBRICATION.
- SEALING RING - ENGINE FACE
- OIL BATH MECHANICAL SEALS.
- DOUBLE MECHANICAL SEALS: ENGINE FACE: OIL BATH (ONLY TIGER 400F) PUMP FACE: WATER BATH
- PERMISSIBLE DRAUGHT OF WATER: 5 m
- IP 68 PROTECTION CLASS.
- CLASS "F" INSULATION.
- MAX. PUMPED LIQUID TEMPERATURE:
25°C with PARTIALLY submerged pump.
35°C with TOTALLY submerged pump.
- BY PASS SECTION: 35 mm. - TIGER 80F
50 mm - TIGER 100F - 140F - 190F
60 mm - TIGER 150F - 200F
80 mm - TIGER 300F - 400F
- VERSIONS: Single Phase: 220-277V/50Hz or 220-277V/60 Hz with built in thermal protection and permanent capacitor.
Three Phase : 220-277V/50 Hz or 380-480V/50Hz and 220-277V/60Hz or 380-480V/60Hz with overload protection care of the User.
- MOTOR POWER:
From 0,6 kW (0,8 HP) to 1,5 kW (2,0 HP) single phase and three phase versions.
From 2,2 kW (3,0 HP) to 3,0 kW (4,0 HP) only three phase versions
- AUTOMATIC SINGLE PHASE VERSIONS up to 1,1 kW (1,5 HP).
- SINGLE PHASE VERSIONS from 1,5 kW (2 HP) only manual, without floater.
- STANDARD CABLE FEATURES:
Single Phase: 10 metres H07RN-F for the standard version (automatic-manual)
5 metres H07RN-F only for the automatic version.
Three Phase: 10 metres H07RN-F

CUSTOMISED VOLTAGE AND FREQUENCY RATING AVAILABLE ON DEMAND.

OPTIONAL:

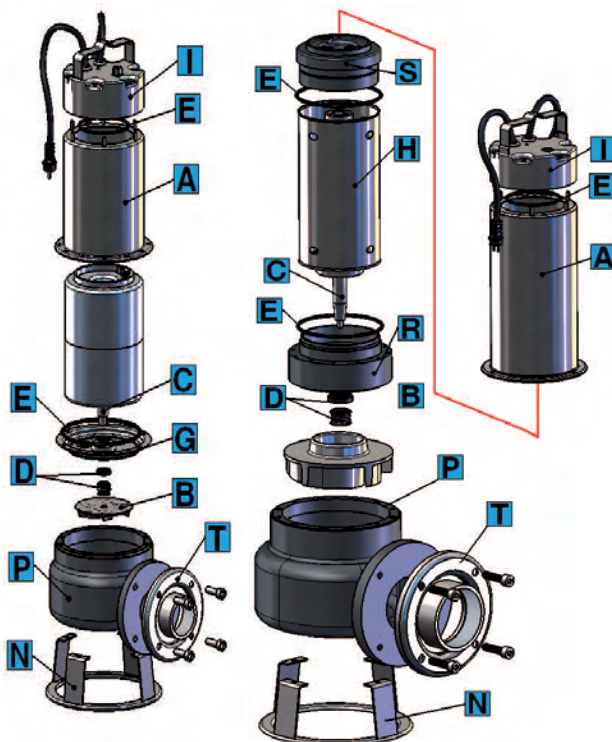
- DOWN STROKE GUIDE RAIL SYSTEMS DN50-DN80 (SEE PAGE 100-101)

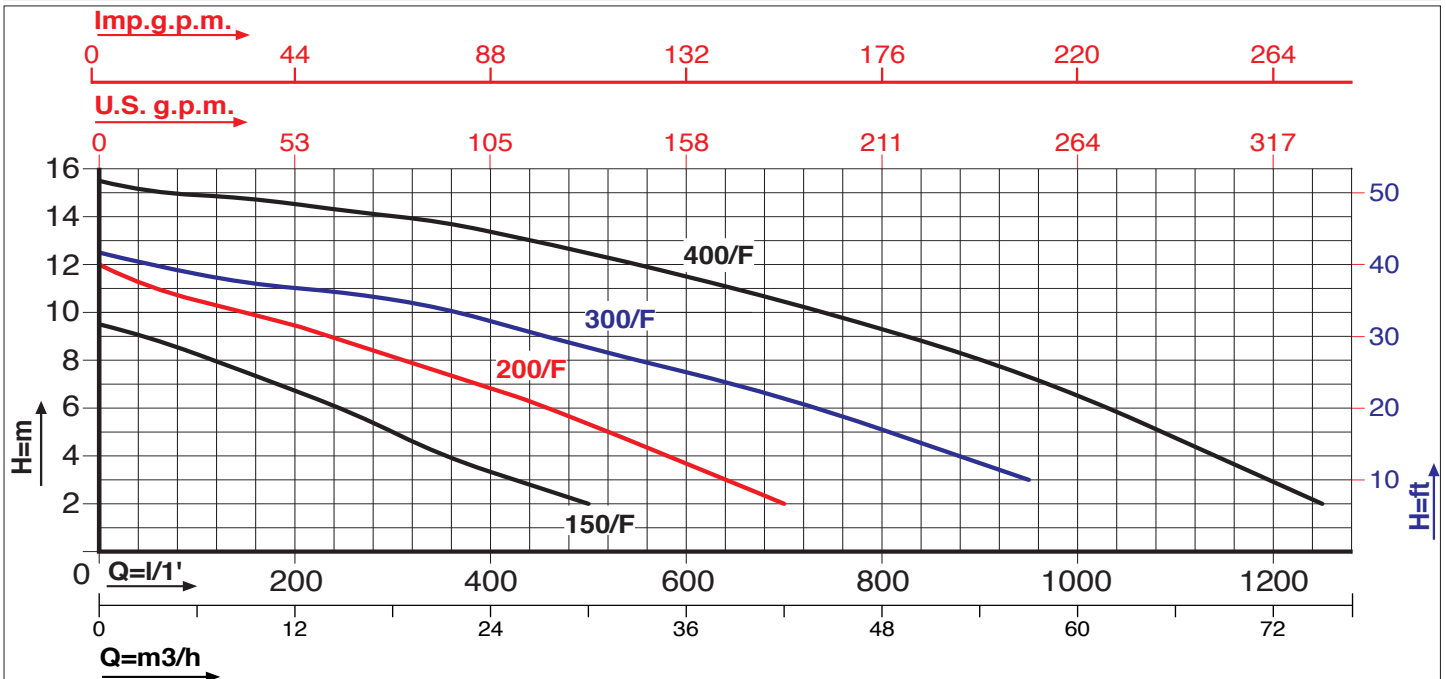
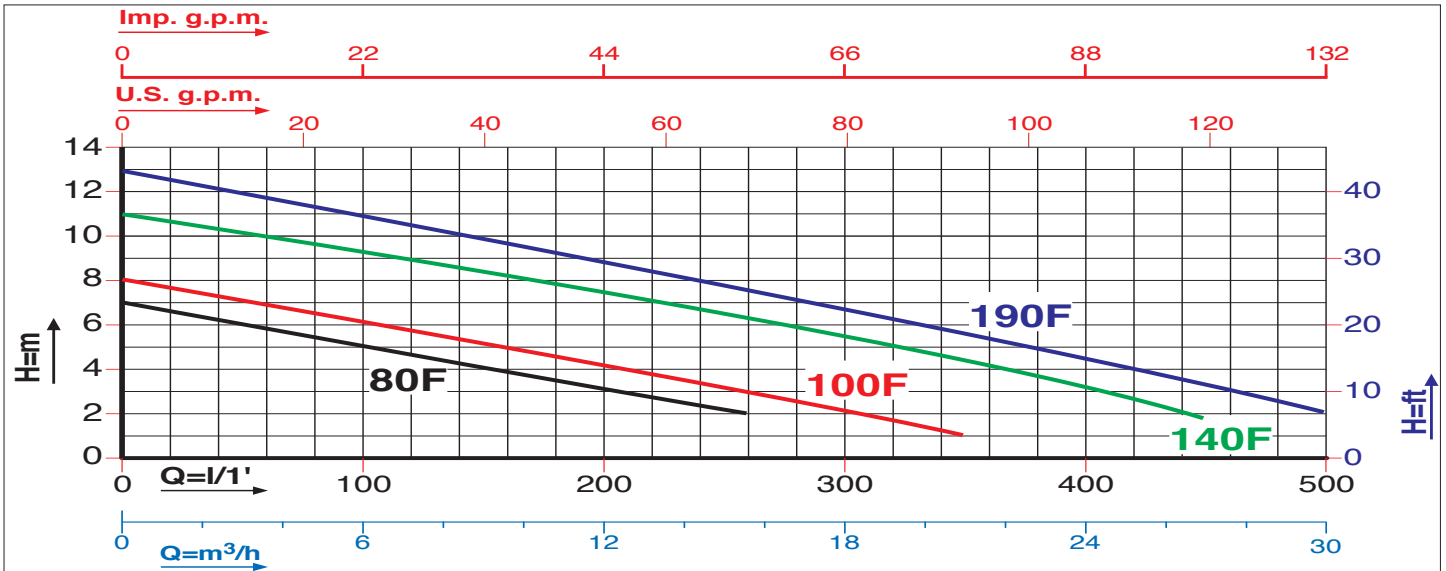
TABELLA MATERIALI / MATERIALS TABLE:

Pos.	Componente / Component	Materiale / Materials	
A	Carcassa esterna / External housing	ACCIAIO INOX AISI 304 - DIN 1.4301 STAINLESS STEEL	
B	Girante / Impeller		
C	Albero (lato pompa) / Shaft (pump side)	ACCIAIO INOX AISI 316 DIN 1.4401 STAINLESS STEEL	
D	Tenuta meccanica / Mechanical Seal	Lato motore / Motor face	TIGER 80F-100F-140F-150F-190F-200F-300F ANELLO DI TENUTA NBR / NBR SEAL RING
			TIGER 400F GRAFITE - CERAMICA / GRAPHITE - CERAMIC
		Lato pompa / Pump face	TIGER 80F-100F-140F-190F GRAFITE - CERAMICA / GRAPHITE - CERAMIC
			TIGER 150F-200F-300F-400F CARBURO DI SILICIO - CERAMICA SILICON CARBIDE - CERAMIC
E	Oring	NBR	
H	Carcassa motore / Motor housing	ACCIAIO INOX AISI 304 - DIN 1.4301 STAINLESS STEEL	
I	Coperchio + maniglia / Cover + handle		
R	Flangia inferiore / Lower flange	GHISA (G.20) CAST IRON	
S	Flangia superiore / Upper flange		
P	Corpo pompa / Pump body		
N	Base d'appoggio / Base holder	ACCIAIO INOX AISI 304 - DIN 1.4301 STAINLESS STEEL	
T	Controflangia d'aspirazione / Suction counter-flange		

**TIGER 80F-100F-140F
190F-150F-200F-300F**

TIGER 400F



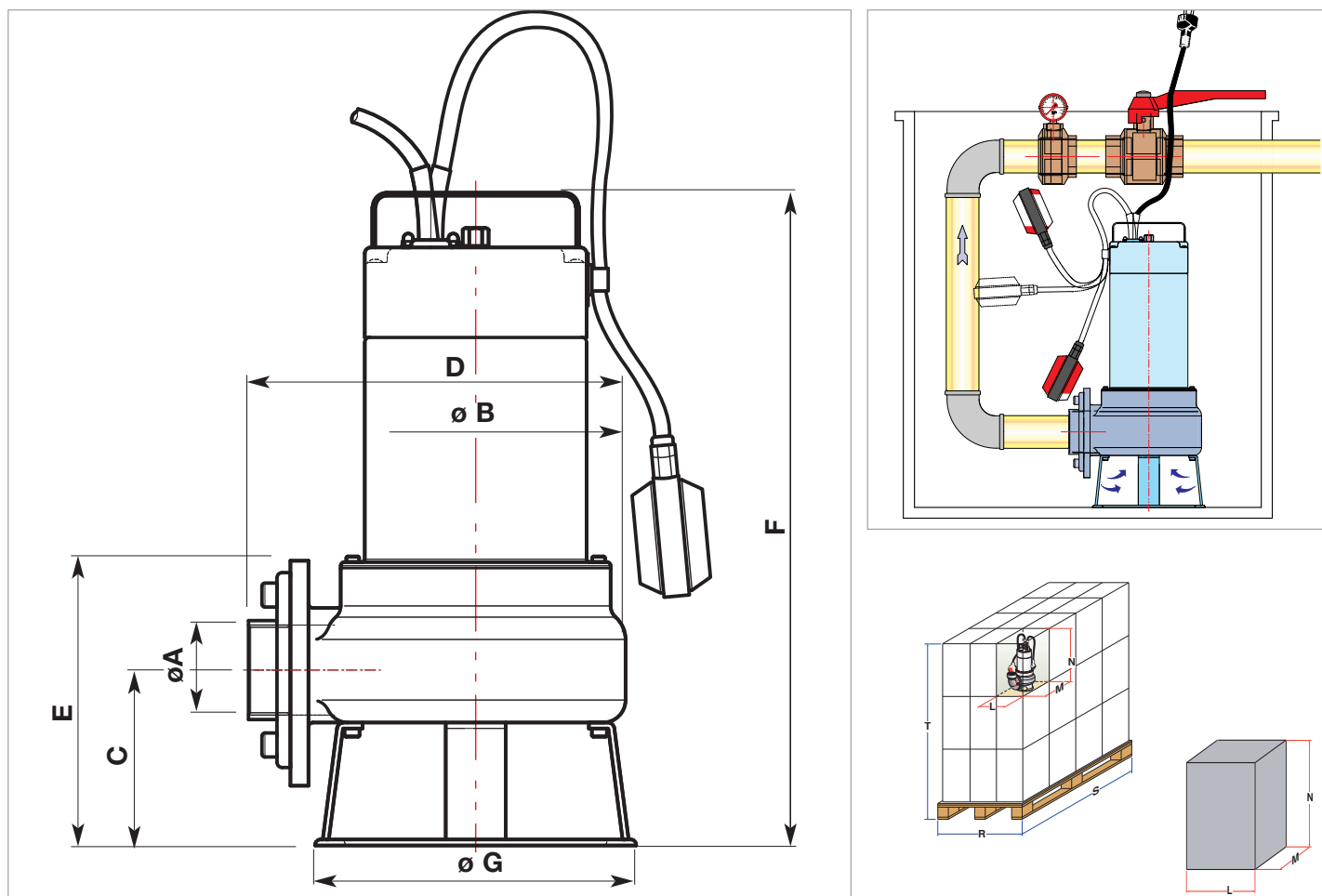


Caratteristiche di funzionamento a 2800 rpm 50Hz e 3450 rpm 60Hz - Performances at 2800 rpm 50 Hz and 3450 rpm 60 Hz
 Le prestazioni valgono per liquidi con densità $\rho = 1,0 \text{ kg/dm}^3$ ed una viscosità $\nu = 1 \text{ mm}^2/\text{s}$ / The performance data holds true for liquids with a $\rho = 1,0 \text{ kg/dm}^3$ density and a $\nu = 1 \text{ mm}^2/\text{s}$ viscosity.

MODELLO MODEL	VOLTAGGIO VOLTAGE	DATI ELETTRICI / ELECTRICAL DATA						DATI IDRAULICI / HYDRAULIC DATA										
		P1 max kW	P2 nom. kW	HP	I max Ampere	Condensatore Capacitor		H (m)										
						µF	VC	0	9	15,6	21	27	30	42	54	75		
TIGER 80F M	1 x 220-230V	1,1	0,6	0,8	4,5	16,0	450	7,0	4,0	2,0	---	---	---	---	---	---	---	---
TIGER 80F T	3 x 380-440V	0,9	0,6	0,8	2,0	---	---	7,0	4,0	2,0	---	---	---	---	---	---	---	---
TIGER 100F M	1 x 220-230V	1,5	0,75	1,0	6,5	20,0	450	8,0	4,8	3,0	1,0	---	---	---	---	---	---	---
TIGER 100F T	3 x 380-440V	1,3	0,75	1,0	2,2	---	---	8,0	4,8	3,0	1,0	---	---	---	---	---	---	---
TIGER 140F M	1 x 220-230V	2,2	1,1	1,5	10,4	30,0	450	11,0	8,0	6,2	4,5	1,8	---	---	---	---	---	---
TIGER 140F T	3 x 380-440V	1,7	1,1	1,5	3,0	---	---	11,0	8,0	6,2	4,5	1,8	---	---	---	---	---	---
TIGER 190F M	1 x 220-230V	2,4	1,5	2,0	11,5	30,0	450	13,0	10,4	8,3	5,5	3,5	2,0	---	---	---	---	---
TIGER 190F T	3 x 380-440V	2,2	1,5	2,0	3,6	---	---	13,0	10,4	8,3	5,5	3,5	2,0	---	---	---	---	---
TIGER 150F M	1 x 220-230V	2,1	1,1	1,5	9,5	40,0	450	9,5	7,5	5,8	4,0	2,5	2,0	---	---	---	---	---
TIGER 150F T	3 x 380-440V	1,8	1,1	1,5	3,2	---	---	9,5	7,5	5,8	4,0	2,5	2,0	---	---	---	---	---
TIGER 200F M	1 x 220-230V	2,7	1,5	2,0	12,5	50,0	450	12,0	10,0	8,8	7,5	6,0	5,5	2,0	---	---	---	---
TIGER 200F T	3 x 380-440V	2,6	1,5	2,0	4,8	---	---	12,0	10,0	8,8	7,5	6,0	5,5	2,0	---	---	---	---
TIGER 300F T	3 x 380-440V	3,5	2,25	3,0	6,5	---	---	12,5	11,2	10,8	10,2	9,0	8,5	6,5	3,0	---	---	---
TIGER 400F T	3 x 380-440V	4,5	3,0	4,0	8,5	---	---	15,5	14,8	14,2	13,8	13,0	12,5	10,5	7,5	2,0	---	---

PREVALENZA TOTALE in METRI COLONNA ACQUA / TOTAL PUMP HEAD AND WATER COLUMN HEIGHT IN m.

DIMENSIONI E PESI / SIZE AND WEIGHT DATA:



MODELLO / MODEL	DIMENSIONI POMPA in mm. / PUMP DIMENSIONS in mm.						
	A	B	C	D	E	F	G
TIGER 80F	2"	164	81,5	274	161,5	367	153
TIGER 100F	2"	164	81,5	274	161,5	367	153
TIGER 140F	2"	164	81,5	274	161,5	367	153
TIGER 190F	2"	164	81,5	274	161,5	367	153
TIGER 150F	2 1/2"	200	121	280,5	196	490	214
TIGER 200F	2 1/2"	200	121	280,5	196	490	214
TIGER 300F	3"	253	133	290	223	523,5	214
TIGER 400F	3"	253	133	290	223	523,5	214

MODELLO MODEL	DIMENSIONI SCATOLA / PACKING DIMENSIONS				DIMENSIONI PALLET / PALLET DIMENSIONS				
	L	M	N	Peso / Weight Kg	R	S	T	nr.	Peso / Weight Kg
	mm	mm	mm		mm	mm	mm	scatole/cartons	
TIGER 80F	190	230	410	14,0	800	1200	1370	60	865
TIGER 100F	190	230	410	16,0	800	1200	1370	60	985
TIGER 140F	190	230	410	17,0	800	1200	1370	60	1045
TIGER 190F	190	230	410	17,5	800	1200	1370	60	1075
TIGER 150F	260	300	530	23,0	800	1200	1750	36	850
TIGER 200F	260	300	530	28,0	800	1200	1750	36	1030
TIGER 300F	260	300	550	32,0	800	1200	1810	36	1170
TIGER 400F	720	400	260	48,0	800	1200	900	9	460