

## NOCCHI A2L - A4L "IN LINE" MONOBLOC PUMP

Single impeller centrifugal pump coupled via housing to asynchronous motor in closed construction with external ventilation. Mechanical type gasket on shaft. Single design. The catalog operating and data plate specifications refer to continuous duty and clean water (spec. weight = 1000 Kg / m<sup>3</sup>) with maximum manometric suction height of 2 m.c.a.

### MOTOR - THREE PHASE ASYNCHRONOUS

- Protection rating: IP 55.
- Standard voltage: 50Hz ;: V 220 / 400 ( + - 10% ).
- Insulation class F.
- Version A2L: 2-pole.
- Version A4L: 4-pole.

### APPLICATION DATA

- Maximum operating pressure: 10 bar.
- Maximum conveyed liquid temperature: + 130 °C.
- Minimum conveyed liquid temperature: - 10 °C.
- Maximum ambient temperature: + 40 °C ( request checks for higher values).
- Maximum viscosity of conveyed liquid: 5 °C Central heating and air

### TABLE OF MATERIALS

COMPONENT	MATERIAL
Mechanical gasket	Silicon carbide/Silicon carbide O-Ring EPDM
Pump body	Cast iron EN-GJL 200 ( ex G20 )
Impeller	Cast iron EN-GJL 200 ( ex G20 )
Shaft	Stainless steel AISI 420
Shield, housing, cover	Cast iron EN-GJL 200 ( ex G20 )

### APPLICATIONS

- conditioning systems
- Collection of water from lakes, rivers, wells.
- Gravity and sprinkler irrigation systems.
- Water supply systems for communities, homes, etc.
- Autoclaves
- Industrial facilities.
- Hygiene facility water distribution.

### TOLERANCES

- Pump: ISO 2548 class C ann. B
- Motor: to standards C.E.I.

### ON REQUEST

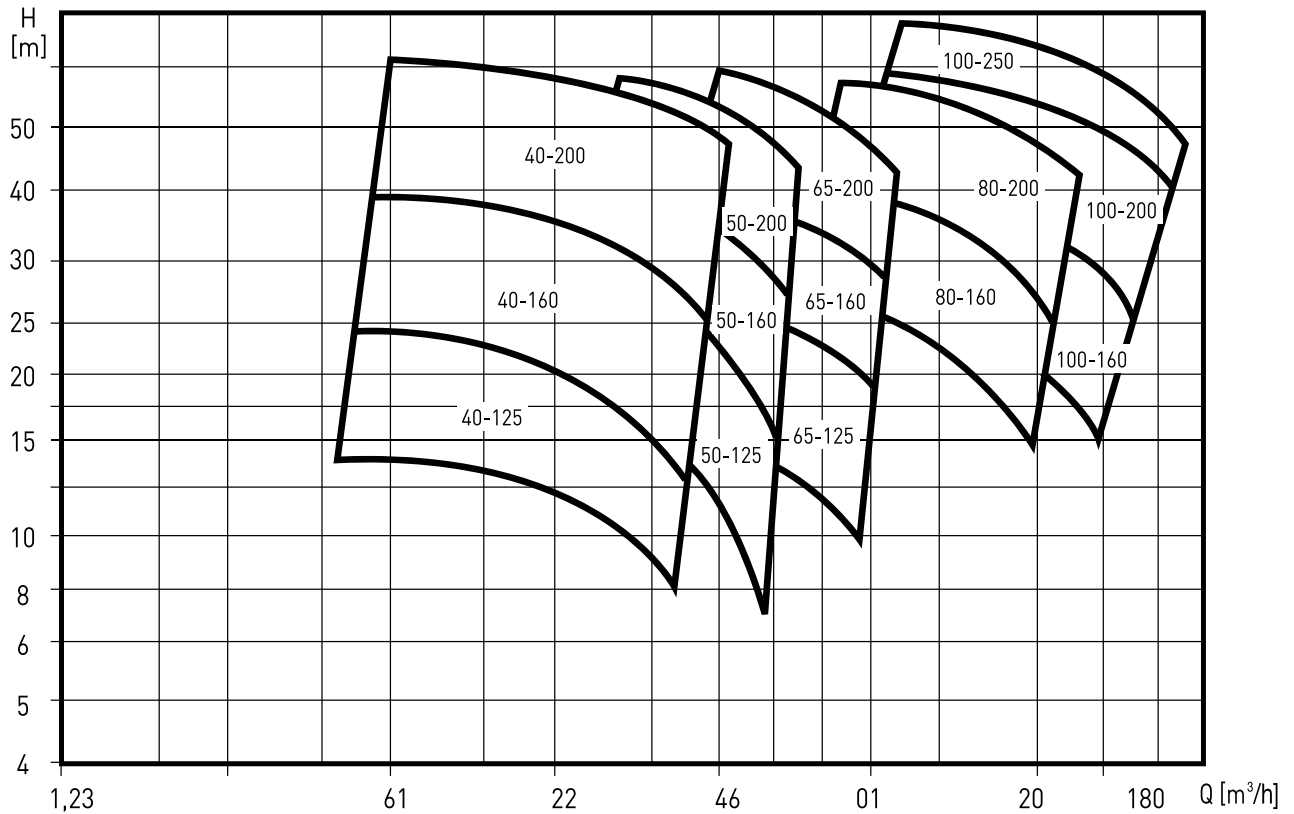
- Version with brass impeller.
- Version with condensate drain holes to ensure reliable pump operation in systems with cold water.



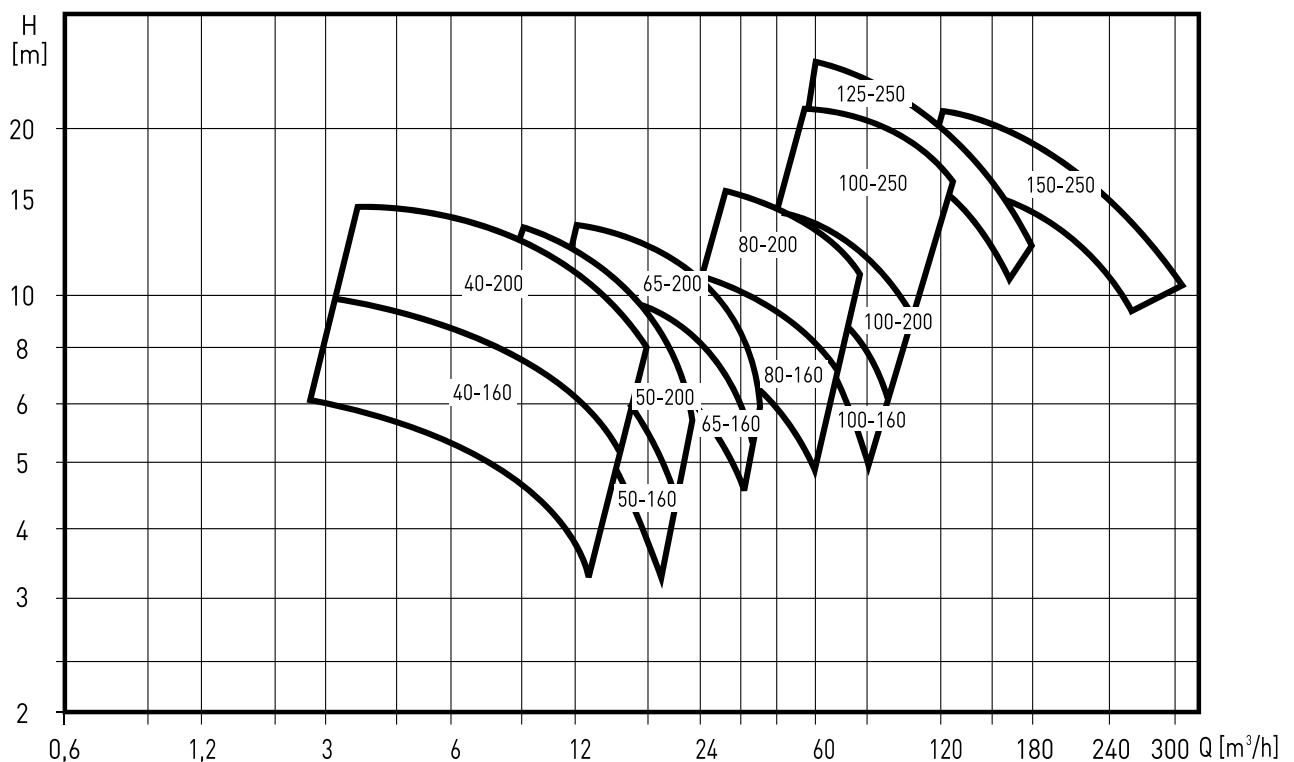
# NOCCHI A2L - A4L

## "IN LINE" MONOBLOC PUMP

### PERFORMANCE RANGE - A2L SINGLE DESIGN 2-POLE



### PERFORMANCE RANGE - A4L SINGLE DESIGN 4-POLE



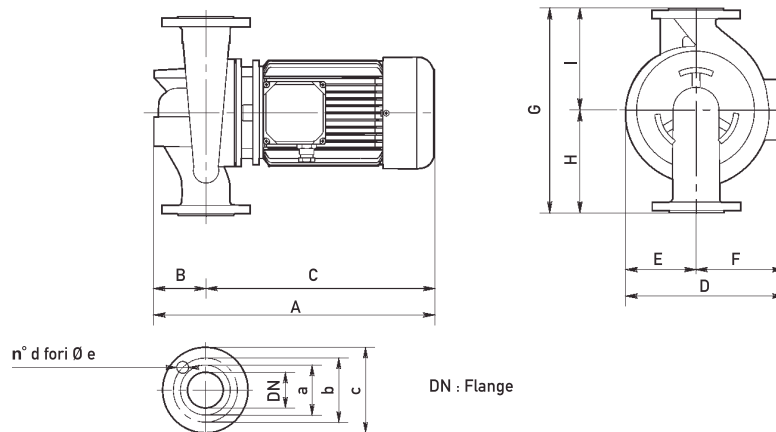
# NOCCHI A2L - A4L 40

## "IN LINE" MONOBLOC PUMP

### PERFORMANCE TABLE

CODE	MODEL	Motor output kW	Amp.		n (min <sup>-1</sup> )	Q	L/ min m <sup>3</sup> /h	50	75	100	125	150	175	200	225	250	300	350	400	
			3x400 V	3x230 V				3	4.5	6	7.5	9	10.5	12	13.5	15	18	21	24	
N8020380	A4L 40 - 160 X	0.37	1.15	2	4-pole	Manometric height m.c.a. / m.w.c.	9.4	9.2	8.9	8.9	7.7	6.9	5.8	4.7						
N8020390	A4L 40 - 200 Y	0.75	2	3.5	4-pole		13	12.8	12.4	11.9	11.3	10.6	9.8	9	8	6				
N8020400	A4L 40 - 200 X	0.9	2.4	4.2	4-pole			14.5	14.3	13.8	13.3	12.7	11.8	10.9	10	8				
N8020000	A2L 40 - 125 C	0.75	1.9	3.3	2-pole				16.5	15.5	14.5	13.5	12.3	11	9.5	6				
N8020010	A2L 40 - 125 B	1.0	2.4	4.2	2-pole				20.5	20	19	18	17	16	15	11.5	7.5			
N8020020	A2L 40 - 125 A	1.5	3.6	6.2	2-pole				24.5	24	23.5	23	22	21	20	16.5	13			
N8020030	A2L 40 - 160 C	2.0	4.4	7.7	2-pole				28.5	28	27.5	26.5	25.5	24	23	20	15			
N8020040	A2L 40 - 160 B	3.0	6.4	11	2-pole				33.5	33	32.5	32	31	30	29	26	22.5			
N8020050	A2L 40 - 160 A	3.0	6.4	11	2-pole				38	37.5	37	36	35	34	33	30	26.5			
N8020060	A2L 40 - 200 C	4.0	8.8	15.2	2-pole				47	46.5	46	45	44	43	42	39.5	37.5	35		
N8020070	A2L 40 - 200 B	5.5	11.3	-	2-pole				55	54.5	54	53.5	53	52	51	48	45	42		
N8020080	A2L 40 - 200 A	6.3	12.8	-	2-pole				62	61.5	61	60	59	58	57	54	52.5	49		

### COUNTERFLANGES OPTIONAL



### OVERALL DIMENSIONS AND WEIGHTS

MODEL	MOTOR	DNa DNm	Flange mm.					Dimensions (mm)									Weight (kg)
			A	B	C	D	E	A	B	C	D	E	F	G	H	I	
A4L 40 - 160 X	71	40 PN10	88	110	150	4	18	425	100	325	215	103	107	230	170	150	23
A4L 40 - 200 X	80	40 PN10	88	110	150	4	18	445	100	345	245	127	118	380	200	180	31
A4L 40 - 200 Y	80	40 PN10	88	110	150	4	18	445	100	345	245	127	118	380	200	180	30
A2L 40 - 125 A	80	40 PN10	88	110	150	4	18	445	100	345	211	93	118	300	160	140	26
A2L 40 - 125 B	80	40 PN10	88	110	150	4	18	445	100	345	211	93	118	300	160	140	25
A2L 40 - 125 C	71	40 PN10	88	110	150	4	18	425	100	325	200	93	107	300	160	140	24
A2L 40 - 160 A	90	40 PN10	88	110	150	4	18	485	100	385	257	108	149	320	170	150	37
A2L 40 - 160 B	90	40 PN10	88	110	150	4	18	485	100	385	257	108	149	320	170	150	35
A2L 40 - 160 C	80	40 PN10	88	110	150	4	18	445	100	345	226	108	118	320	170	150	30
A2L 40 - 200 A	112	40 PN10	88	110	150	4	18	535	100	435	286	127	159	380	200	180	56
A2L 40 - 200 B	112	40 PN10	88	110	150	4	18	535	100	435	286	127	159	380	200	180	55
A2L 40 - 200 C	110	40 PN10	88	110	150	4	18	525	100	425	286	127	159	380	200	180	50

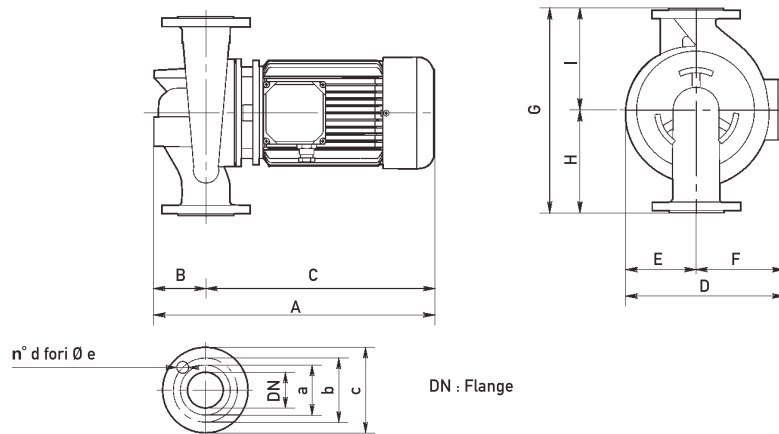
# NOCCHI A2L - A4L 50

## "IN LINE" MONOBLOC PUMP

### PERFORMANCE TABLE

CODE	MODEL	Motor output kW	Amp.		n (min <sup>-1</sup> )	Q	L/ min m <sup>3</sup> /h	100	125	150	175	20	225	250	300	350	400	450	500	600
			6	7.5				9	10.5	12	13.5	15	18	21	24	27	30	36		
N8020410	A4L 50 - 160 X	0.5	1.6	2.8	4-pole	Manometric height m.c.a./m.w.c.	8.8	8.6	8.3	8.0	7.7	7.3	6.9	5.9	4.5					
N8020420	A4L 50 - 200 Y	1.1	2.6	4.5	4-pole		12.7	12.5	12.1	11.7	11.2	10.7	10.1	8.5	7					
N8020430	A4L 50 - 200 X	1.1	2.6	4.5	4-pole		14.2	14	13.8	13.4	13	12.5	12	10	8.3	6				
N8020090	A2L 50 - 125 C	1.5	3.6	6.2	2-pole								15.5	15	14.1	13	11.8	10.5	7	
N8020100	A2L 50 - 125 B	2.0	4.4	7.7	2-pole								19	18.5	17.5	16.5	15.5	14.5	10.5	
N8020110	A2L 50 - 125 A	3.0	8.8	15.2	2-pole								24.5	24	23.5	23	22	20.5	17	
N8020120	A2L 50 - 160 B	3.0	6.4	11	2-pole								30	29	28	26.5	25	23	18	
N8020130	A2L 50 - 160 A	4.0	8.8	15.2	2-pole								36.5	35.5	34.5	33.5	32.5	31	27	
N8020140	A2L 50 - 200 C	5.5	11.3	-	2-pole								46	44	43	41.5	39	37	31	
N8020150	A2L 50 - 200 B	6.3	12.8	-	2-pole								51	50	49	47.5	45	42.5	37	
N8020160	A2L 50 - 200 A	7.5	17.3	-	2-pole								56.5	55.5	54.5	53	51	49	44	

### COUNTERFLANGES OPTIONAL



### OVERALL DIMENSIONS AND WEIGHTS

MODEL	MOTOR	DN <sub>a</sub> DN <sub>m</sub>	Flange mm.					Dimensions (mm)									Weight (kg)
			A	B	C	D	E	A	B	C	D	E	F	G	H	I	
A4L 50 - 160 X	71	50 PN10	102	125	165	4	18	435	110	325	220	113	107	340	180	160	25
A4L 50 - 200 X	90	50 PN10	102	125	165	4	18	495	110	385	280	131	149	400	220	180	36
A4L 50 - 200 Y	90	50 PN10	102	125	165	4	18	495	110	385	280	131	149	400	220	180	36
A2L 50 - 125 A	90	50 PN10	102	125	165	4	18	495	110	385	252	103	149	320	180	140	32
A2L 50 - 125 B	80	50 PN10	102	125	165	4	18	455	110	345	221	103	118	320	180	140	28
A2L 50 - 125 C	80	50 PN10	102	125	165	4	18	455	110	345	221	103	118	320	180	140	27
A2L 50 - 160 A	100	50 PN10	102	125	165	4	18	535	110	425	272	113	159	340	180	160	42
A2L 50 - 160 B	90	50 PN10	102	125	165	4	18	495	110	385	262	113	149	340	180	160	32
A2L 50 - 200 A	132	50 PN10	102	125	165	4	18	650	110	540	315	131	184	400	220	180	64
A2L 50 - 200 B	112	50 PN10	102	125	165	4	18	545	110	435	290	131	159	400	220	180	57
A2L 50 - 200 C	112	50 PN10	102	125	165	4	18	545	110	435	290	131	159	400	220	180	56

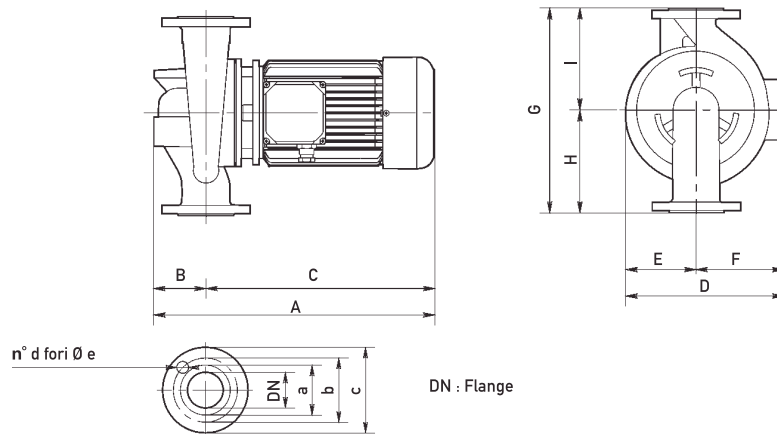
# NOCCHI A2L - A4L 65

## "IN LINE" MONOBLOC PUMP

### PERFORMANCE TABLE

CODE	MODEL	Motor output kW	Amp.		n (min <sup>-1</sup> )	Q	L/ min m <sup>3</sup> /h	200	225	250	300	400	350	450	500	600	700	800	900	1000
			12	13.5				15	18	21	24	27	30	36	42	48	54	60		
N8020440	A4L 65 - 160 Y	0.75	2	3.5	4-pole	Manometric height m.c.a./m.w.c.	8.2	8	7.9	7.7	7.4	7.0	6.6	6.0	4.0					
N8020450	A4L 65 - 160 X	0.9	2.4	4.2	4-pole		9.0	8.9	8.8	8.6	8.4	8.1	7.7	7.2	5.5					
N8020460	A4L 65 - 200 Y	1.1	2.6	4.5	4-pole		12.4	12.2	12	11.5	10.8	10	9.0	8.0	5.8					
N8020470	A4L 65 - 200 X	1.5	3.5	6.1	4-pole		14.3	14.2	14.1	13.7	13	12.3	11.3	10.2	7.8	5.0				
N8020180	A2L 65 - 125 C	2.0	4.4	7.7	2-pole							17	16.5	16	15	13	11	9		
N8020170	A2L 65 - 125 B	3.0	6.4	11	2-pole							21	20.5	20	19	17.5	16	14	12	
N8020190	A2L 65 - 125 A	4.0	8.8	15.2	2-pole							25.5	25.3	25	24	23	21.5	20	18	
N8020200	A2L 65 - 160 B	5.5	11.3	-	2-pole							32.5	32	31.5	30.5	29.5	28	26	23.5	
N8020210	A2L 65 - 160 A	7.5	17.3	-	2-pole							37	36.5	36	35	34	32.5	31	29	
N8020220	A2L 65 - 200 B	10	22.5	-	2-pole							51	50.5	50	48	45.5	42	39.5	37	
N8020230	A2L 65 - 200 A	12.5	27	-	2-pole						58	57.5	57	55	53	50	46.5	42.8		

### COUNTERFLANGES OPTIONAL



### OVERALL DIMENSIONS AND WEIGHTS

MODEL	MOTOR	DN <sub>a</sub> DN <sub>m</sub>	Flange mm.					Dimensions (mm)									Weight (kg)
			A	B	C	D	E	A	B	C	D	E	F	G	H	I	
A4L 65 - 160 X	80	65 PN10	122	145	185	4	18	485	140	345	240	122	118	400	220	180	33
A4L 65 - 160 Y	80	65 PN10	122	145	185	4	18	485	140	345	240	122	118	400	2250	180	32
A4L 65 - 200 X	90	65 PN10	122	145	185	4	18	525	140	385	285	136	149	440	240	200	40
A4L 65 - 200 Y	90	65 PN10	122	145	185	4	18	525	140	385	285	136	149	440	240	200	38
A2L 65 - 125 A	100	65 PN10	122	145	185	4	18	565	140	425	267	108	159	360	205	155	43
A2L 65 - 125 B	90	65 PN10	122	145	185	4	18	525	140	385	257	108	149	360	205	155	39
A2L 65 - 125 C	80	65 PN10	122	145	185	4	18	485	140	345	226	108	118	360	205	155	32
A2L 65 - 160 A	132	65 PN10	122	145	185	4	18	680	140	540	306	122	184	400	220	180	61
A2L 65 - 160 B	112	65 PN10	122	145	185	4	18	575	140	435	281	122	159	400	220	180	54
A2L 65 - 200 A	132	65 PN10	122	145	185	4	18	680	140	540	320	136	184	440	240	200	77
A2L 65 - 200 B	132	65 PN10	122	145	185	4	18	680	140	540	320	136	184	440	240	200	70

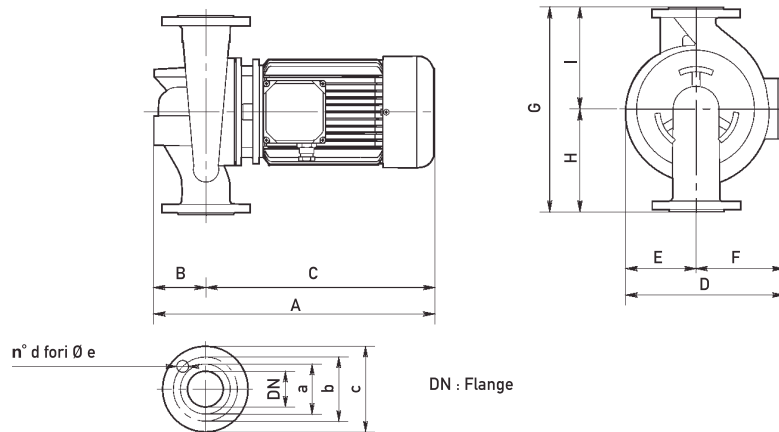
# NOCCHI A2L - A4L 80

## "IN LINE" MONOBLOC PUMP

### PERFORMANCE TABLE

CODE	MODEL	Motor output		Amp.		n (min <sup>-1</sup> )	Q	L/ min m <sup>3</sup> /h	300	350	400	450	500	600	700	800	900	1000	1100	1200	1250	1500	1750	2000	2250
		kW	3x400 V	3x230 V	18				21	24	27	30	36	42	48	54	60	66	72	75	90	105	120	135	
N8020480	A4L 80 - 160 Y	1.1	2.6	4.5	4-pole	Manometric height m.c.a. / m.w.c.	8.6	8.5	8.4	8.3	8.2	8.0	7.5	6.8	6.0	5.0									
N8020490	A4L 80 - 160 X	1.5	3.5	6.1	4-pole		10.2	10.1	10	9.9	9.8	9.4	9.0	8.5	7.7	6.5									
N8020500	A4L 80 - 200 Y	2.2	5.1	8.9	4-pole				12.5	12.4	12.3	12.1	11.7	11.7	10.5	9.6	8.5								
N8020510	A4L 80 - 200 X	3.0	6.9	12	4-pole						15.2	15	14.6	14.3	13.6	12.8	12	11							
N8020240	A2L 80 - 160 C	10	22.5	-	2-pole								30.5	30	29.5	29	28.2	27.3	26.5	24	20.5	16			
N8020250	A2L 80 - 160 B	12.5	27	-	2-pole								36.5	36	35.5	34.5	34	33.2	33	30	27	23	19		
N8020260	A2L 80 - 160 A	15	32	-	2-pole								41	40.5	40	39.5	38.7	38	37.5	35.5	33	29	24		
N8020270	A2L 80 - 200 D	15	32	-	2-pole									44	43.5	43	42.6	42	41.5	39	35.5	31.5			
N8020280	A2L 80 - 200 C	18.5	38	-	2-pole									51	50	49.5	49	48.5	48.3	46.5	43.5	39.5	35		
N8020290	A2L 80 - 200 B	22	44.5	-	2-pole									57	56.5	56	55.6	55.4	55	53.5	51	48	42.5		

### COUNTERFLANGES OPTIONAL



### OVERALL DIMENSIONS AND WEIGHTS

MODEL	MOTOR	DN <sub>a</sub> DN <sub>m</sub>	Flange mm.					Dimensions (mm)									Weight (kg)
			A	B	C	D	E	A	B	C	D	E	F	G	H	I	
A4L 80 - 160 X	90	80 PN10	138	160	200	8	18	545	140	325	280	131	149	440	240	200	40
A4L 80 - 160 Y	90	80 PN10	138	160	200	8	18	545	140	325	280	131	149	440	240	200	38
A4L 80 - 200 X	100	80 PN10	138	160	200	80	18	585	140	345	305	146	159	500	275	225	57
A4L 80 - 200 Y	100	80 PN10	138	160	200	80	18	585	140	345	305	146	159	500	275	225	51
A2L 80 - 160 A	132	80 PN10	138	160	200	80	18	700	160	54	0315	131	184	440	240	200	85
A2L 80 - 160 B	132	80 PN10	138	160	200	8	18	700	160	54	0315	131	184	440	240	200	79
A2L 80 - 160 C	132	80 PN10	138	160	200	8	18	700	160	54	0315	131	184	440	240	200	72
A2L 80 - 200 B	180	80 PN10	138	160	200	80	18	860	160	700	375	146	229	500	275	225	142
A2L 80 - 200 C	160	80 PN10	138	160	200	80	18	860	160	700	375	146	229	500	275	225	124
A2L 80 - 200 D	132	80 PN10	138	160	200	80	18	700	160	540	330	146	184	500	275	225	91

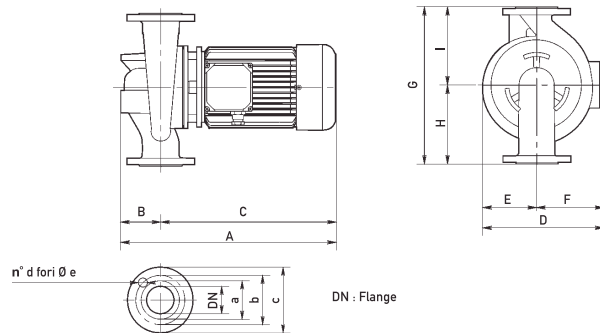
# NOCCHI A2L - A4L 100

## "IN LINE" MONOBLOC PUMP

### PERFORMANCE TABLE

CODE	MODEL	Motor output		Amp.		n (min <sup>-1</sup> )	Q	L/ min m <sup>3</sup> /h	600	700	800	900	1000	1100	1200	1250	1300	1500	1750	2000	2250	2500	2750	3000	3500	
		kW	3x400 V	3x230 V	36				42	48	54	60	66	72	75	78	90	105	120	135	150	165	180	210		
N8020520	A4L 100 - 160 Y	1.5	3.5	6.1	4-pole	Manometric height m.c.a. / m.w.c.	7.7	7.5	7.3	7.0	6.7	6.4	6.1	5.7	5.8	5.0										
N8020530	A4L 100 - 160 X	2.2	5.1	8.9	4-pole		9.7	9.5	9.3	9.0	8.8	8.5	8.2	8	7.9	7.1	6.0									
N8020540	A4L 100 - 200 Y	3.0	6.9	12	4-pole		12	11.7	11.5	11.3	11	10.5	10	9.8	9.5	8.5	7.0									
N8020550	A4L 100 - 200 X	4.0	9.2	16	4-pole		14.5	14.2	14	13.8	13.5	13.1	12.7	12.4	12.2	11	9.0	6.5								
N8020560	A4L 100 - 250 Y	5.5	12	-	4-pole					19	18.5	18	17.5	17.4	17	16	14	12								
N8020570	A4L 100 - 250 X	7.5	16	-	4-pole					22	21.9	21.7	21.5	21.1	21.9	20	19	17								
N8020300	A2L 100 - 160 D	10	22.5	-	2-pole						24	23.6	23.2	23	22.8	22	21	19.5	18	16.5	15					
N8020310	A2L 100 - 160 C	12.5	27	-	2-pole						28.5	28.3	28	27.8	27.7	27	26	24.5	23	21.5	20	18.5				
N8020320	A2L 100 - 160 B	15	32	-	2-pole						34	33.7	33.5	33.3	33.2	32.5	31.8	31	29	27.5	26	24.5				
N8020330	A2L 100 - 200 D	18.5	38	-	2-pole						42	41.5	41.2	41	40.8	40	38.5	37	35	33	30.5	38				
N8020340	A2L 100 - 200 C	22	44.5	-	2-pole						47	46.7	46.5	46.5	46.2	45.5	44.5	43	41	39	37	34				
N8020350	A2L 100 - 200 B	30	58	-	2-pole						55	54.5	54.3	54	54	53	52	51	49	47	45	43	37			
N8020360	A2L 100 - 200 A	37	71	-	2-pole						57	56.9	56.8	56.8	56.6	56.5	56	55	54	52.5	51	48	42			
N8020370	A2L 100 - 250 D	37	71	-	2-pole									68	67.5	67	66	65	63	61	58	55	47			

### COUNTERFLANGES OPTIONAL



### OVERALL DIMENSIONS AND WEIGHTS

MODEL	MOTOR	DNa DNm	Flange mm.					Dimensions (mm)									Weight (kg)
			A	B	C	D	E	A	B	C	D	E	F	G	H	I	
A4L 100 - 160 X	100	100 PN10	158	180	220	8	18	615	190	425	295	136	159	525	300	225	50
A4L 100 - 160 Y	90	100 PN10	158	180	220	8	18	575	190	385	285	136	149	525	300	225	45
A4L 100 - 200 X	112	100 PN10	158	180	220	8	18	625	190	435	315	156	159	550	300	250	73
A4L 100 - 200 Y	100	100 PN10	158	180	220	8	18	615	190	425	315	156	159	550	300	250	66
A4L 100 - 250 X	132	100 PN10	158	180	220	8	18	730	190	540	360	176	184	600	320	280	106
A4L 100 - 250 Y	132	100 PN10	158	180	220	8	18	730	190	540	360	176	184	600	320	280	96
A2L 100 - 160 B	132	100 PN10	158	180	220	8	18	730	190	540	320	136	184	525	300	225	91
A2L 100 - 160 C	132	100 PN10	158	180	220	8	18	730	190	540	320	136	184	525	300	225	84
A2L 100 - 160 D	132	100 PN10	158	180	220	8	18	730	190	540	320	136	184	525	300	225	76
A2L 100 - 200 A	200	100 PN10	158	180	220	8	18	995	190	805	413	156	257	550	300	250	213
A2L 100 - 200 B	200	100 PN10	158	180	220	8	18	995	190	805	413	156	257	550	300	250	195
A2L 100 - 200 C	180	100 PN10	158	180	220	8	18	890	190	710	386	156	230	550	300	250	153
A2L 100 - 200 D	160	100 PN10	158	180	220	8	18	890	190	710	386	156	230	550	300	250	135
A2L 100 - 250 D	200	100 PN10	158	180	220	8	18	995	190	805	433	176	257	600	320	280	220

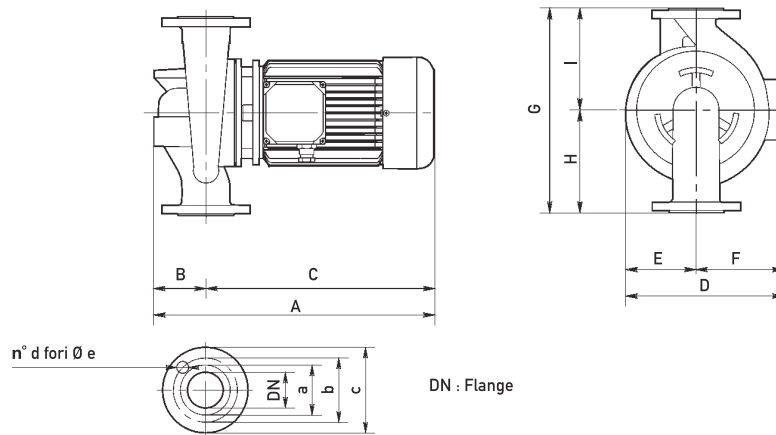
# NOCCHI A2L - A4L 125

## "IN LINE" MONOBLOC PUMP

### PERFORMANCE TABLE

CODE	MODEL	Output yield		VOLTAGE	Amp.	n (min <sup>-1</sup> )	Q	L/min	1000	1100	1200	1500	1750	2000	2250	2500	2750	3000	3500
		HP	KW					m <sup>3</sup> /h	60	66	72	90	105	120	135	150	165	180	210
N8020960	A4L 125 - 250 Y	10	7.5	380/415	17.3	4-pole	Manometric height m.c.a. / m.w.c.	19.5	19.3	19.1	18.9	18.5	17.5	16.5	15.2	14	12		
N8020970	A4L 125 - 250 X	12.5	9.2	380/415	19	4-pole		22	21.9	21.8	21.7	21.5	20.5	19.5	18.5	17	15	13	

COUNTERFLANGES OPTIONAL



### OVERALL DIMENSIONS AND WEIGHTS

MODEL	MOTOR	DN <sub>a</sub> DN <sub>m</sub>	Flange mm.					Dimensions (mm)											Weight (kg)
			A	B	C	D	E	A	B	C	D	E	F	G	H	I	L		
A4L 125 - 250X	132	125 PN16	188	210	250	8	18	745	195	550	415	195	220	620	340	280	28	120	
A4L 125 - 250Y	132	125 PN16	188	210	250	8	18	745	195	550	415	195	220	620	340	280	28	120	

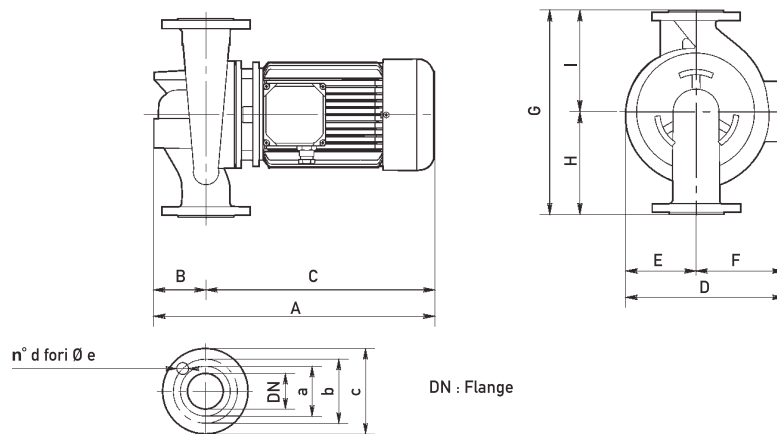
# NOCCHI A2L - A4L 150

## "IN LINE" MONOBLOC PUMP

### PERFORMANCE TABLE

CODE	MODEL	Output		VOLTAGE	Amp.	n (min <sup>-1</sup> )	Q	Flow rate											
		HP	KW					L/min	1750	2000	2250	2500	2750	3000	3500	4000	4500	5000	
								m <sup>3</sup> /h	105	120	135	150	165	180	21	240	270	300	
N8020980	A4L 150 - 250 Z	15	11	380/415	22.5	4-pole	Manometric height m.l.c.a. / m.w.c.	17.3	16.6	16.2	15.7	14.7	14.2	12.4	10				
N8020990	A4L 150 - 250 Y	20	15	380/415	32	4-pole		20.2	19.8	19.3	19	18.4	18	16.5	14.8	12.6			
N8021000	A4L 150 - 250 X	20	15	380/415	32	4-pole			20.8	20.2	19.7	19.1	18.6	17	15.2	13.2	11		

COUNTERFLANGES OPTIONAL



### OVERALL DIMENSIONS AND WEIGHTS

MODEL	MOTOR	DNa DNm	Flange mm.					Dimensions (mm)										Weight (kg)
			A	B	C	D	E	A	B	C	D	E	F	G	H	I	L	
A4L 150 - 250Z	132	150 PN16	212	240	285	8	22	775	220	555	460	210	250	700	370	330	30	160
A4L 150 - 250Y	132	150 PN16	212	240	285	8	22	975	220	755	510	210	300	700	370	330	30	195
A4L 150 - 250X	132	150 PN16	212	240	285	8	22	975	220	755	510	210	300	700	370	330	30	195

# NOCCHI A2L - A4L "IN LINE" MONOBLOC PUMP

## ILLUSTRATION SECTION

Component	
1	Pump body
2	Gland cover
3	Housing - Cover
4	Impeller
5	Deflector
6	Rotary nut
7	Mechanical gasket
8	Flat seal
9	Drain plug
10	Bleed plug
11	Rubber washer
12	Hex nut
13	Tab
14	Washer
15	Motor
16	Screw

