

The OMNIA series pumps are made entirely of AISI 304 stainless steel. Cooling of the motor is via a heat exchange chamber that allows the machine to work for long periods when not completely submerged. Equipped with Ø 32mm hose adapter. Automatic version equipped with float switch.



Applications

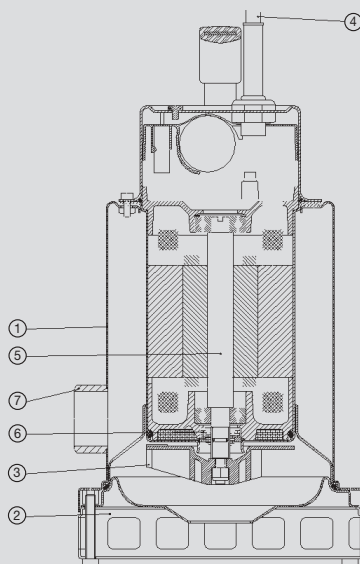
- Pumping of domestic waste water, draining of environments, bathing and swimming pools, industrial applications
- Fountains and water features
- Surface irrigation

Motor

- Dry motor with stainless steel casing
- Level of protection IP68
- Class F insulation
- Single phase power supply with capacitor permanently activated
- Thermal protection built into the motor winding
- Completely insulated cable connection chamber
- Self-lubricating ball bearings
- Speed of rotation 2850 rpm

Usage limitations

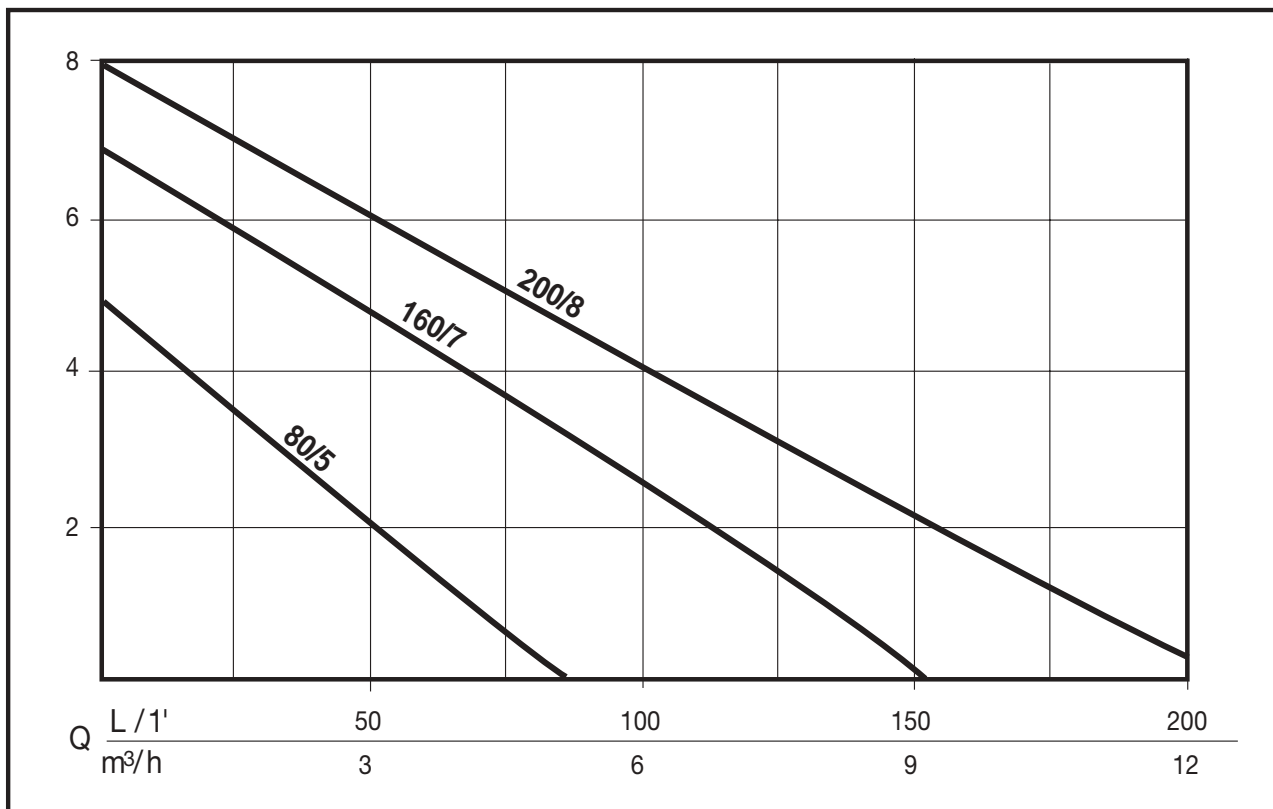
- Type of liquid: waste water with solids
- Maximum liquid temperature 40°C
- Maximum submersion under the water level 7m
- Minimum drainage level 35 mm (manual)
- Free clearance of solids 20 mm



DESIGN FEATURES

Component	Material
1 Pump body	X 5 CrNi 1810 (AISI 304) Stainless steel
2 Suction base	X 5 CrNi 1810 (AISI 304) Stainless steel
3 Impeller	X 5 CrNi 1810 (AISI 304) Stainless steel
4 Power cable	10 m H07 RN-F with plug
5 Motor shaft	X 12 CrNiS 1809 (AISI 416) Stainless steel
6 Seal	Fixed double NBR 70 rubber lip seal. Oil chamber for seal lubrication.
7 Outlet	1" 1/4 gas male threaded

TABLE OF HYDRAULIC PERFORMANCE



PUMP PERFORMANCE

CODE	MODEL	Nominal power		Absorbed power		VOLTAGE	Amp.	μF.	Q	L/1'	10	40	70	100	140	200
		HP	kW	HP	kW					m³/h	0,6	2,4	4,2	6	8,4	12
N2081070 N2081090	OMNIA 80/5 OMNIA 80/5 AUT	0,3	0,2	0,4	0,3	1 ~ 220 ÷ 240 V	1,4	8	Discharge head in meters	4,1	2,7	1				
N2081020 N2081110	OMNIA 160/7 OMNIA 160/7 AUT	0,5	0,37	0,7	0,5	1 ~ 220 ÷ 240 V	2,5	8		7	5,5	4	2,8	1		
N2081030 N2081100	OMNIA 200/8 OMNIA 200/8 AUT	0,7	0,5	1	0,75	1 ~ 220 ÷ 240 V	3,2	8		7,8	6,3	5,4	4,1	2,7	0,5	

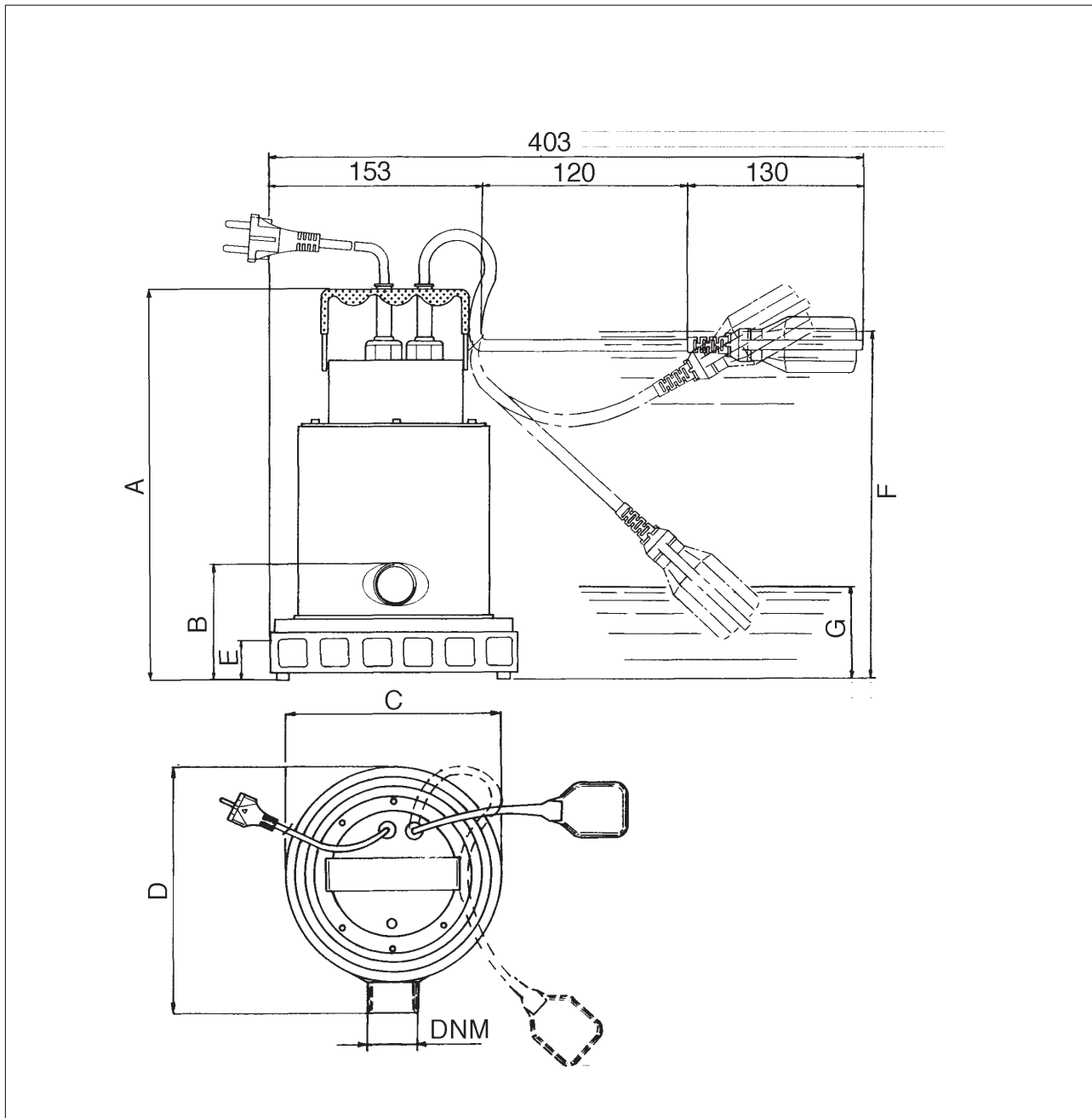


TABLE OF SIZES AND WEIGHTS

Model	Dimensions mm.									Weight kg
	A	B	Ø C	D	Minimum drainage level E*	Start level F*	Stop level G*	Free bore	DNM	
OMNIA 80/5	264	94	177	182	35	250	100	Ø 20	1" 1/4	6,1
OMNIA 160/7	300	94	177	182	35	320	107	Ø 20	1" 1/4	7
OMNIA 200/8	338	94	177	182	35	351	111	Ø 20	1" 1/4	8,5

* Start and stop level refer to the version equipped with float switch.
The minimum drainage level refers to manual working.