

NOCCHI PRATIKA

ELECTRIC SUBMERSIBLE MULTI-STAGE CENTRIFUGAL PUMP FOR FRESH WATER

HOSE BEND CONNECTOR Ø 32 MM SUPPLIED, AUTOMATIC VERSION EQUIPPED WITH FLOAT SWITCH.

PRATIKA submersible pumps are ready to use and install in traditional wells, water deposits, collection tanks, fresh water courses, lakes etc.

APPLICATIONS

- Lifting from traditional wells.
- Installations in tanks in the home for pressurization of domestic drinking water systems.
- Small automatic garden irrigation systems.
- Gravity irrigation systems.

APPLICATION DATA

- Type of liquid: clean water without suspended solid bodies or abrasive material.
- Maximum liquid temperature: 40°C.
- Maximum immersion below water level: 10 m.

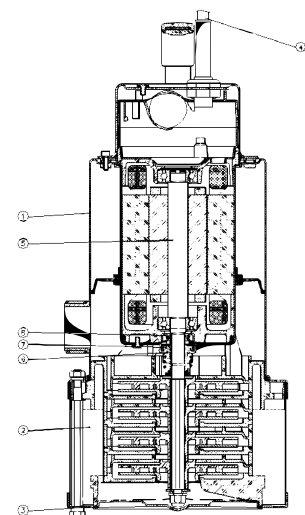
MOTOR

- Dry motor.
- Protection rating IP 68.
- Insulation class F.
- Single phase power supply with permanently activated capacitor.
- Thermal cutout protection incorporated in motor winding.
- Fully insulated cable connection chamber.
- Self-lubricating ball bearings.
- Rotation speed 2850 rpm.
- Suitable for continuous duty.



TABLE OF MATERIALS

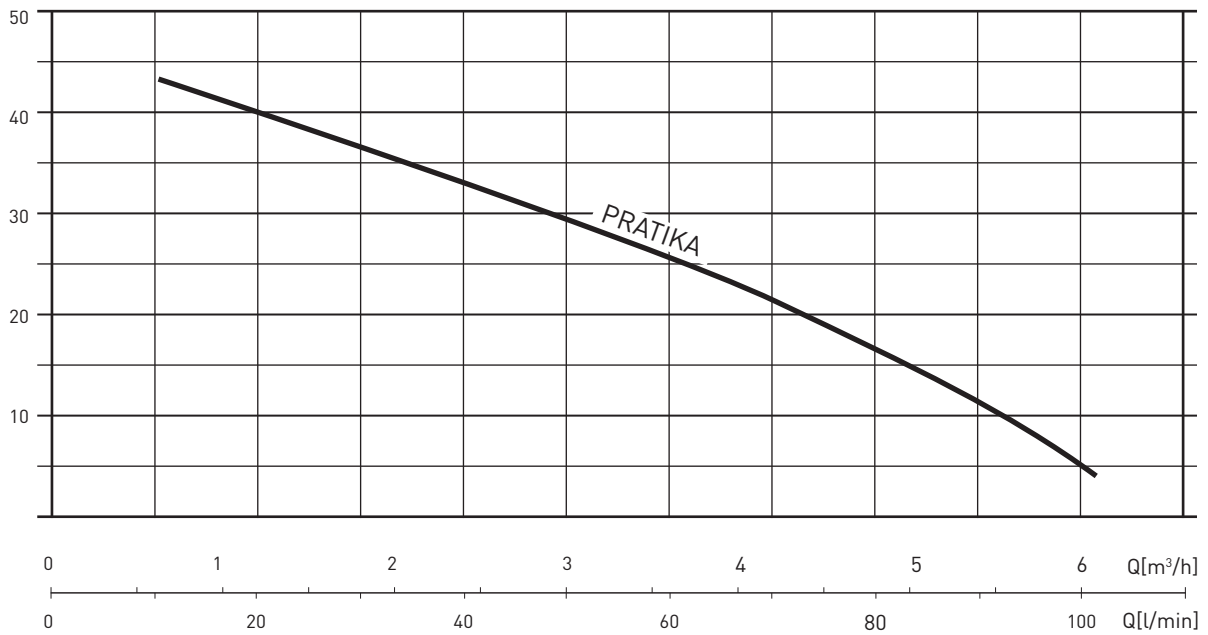
Component		Material	
1	Pump body	Stainless steel X5 CrNi 1810 (AISI 304)	
2	suction grille	Stainless steel X5 CrNi 1810 (AISI 304)	
3	suction base	Stainless steel X5 CrNi 1810 (AISI 304)	
4	Power cable	15 m H07 RN-F with Schuko plug	
5	Shaft (hydraulic section)	Stainless steel X5 CrNi 1810 (AISI 304) with ceramic-coated bushing at points of wear on the seal	
6	Mechanical gasket	Graphite	Lubricated in oil chamber
	Counterface	Ceramic	
	Lip seal	In rubber NBR 70	
8	Impellers	Technopolymer	
9	Diffusers	Technopolymer	



NOCCHI PRATIKA

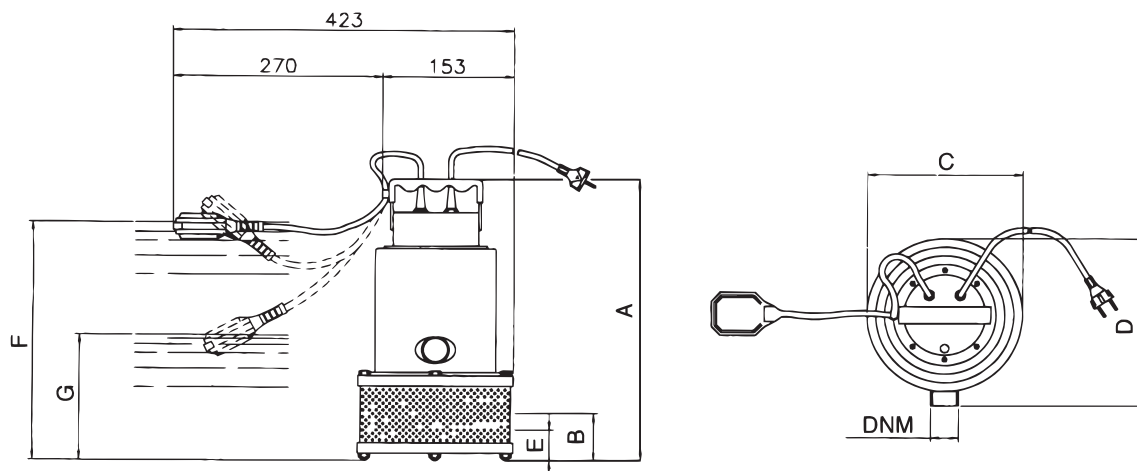
ELECTRIC SUBMERSIBLE MULTI-STAGE CENTRIFUGAL PUMP FOR FRESH WATER

HYDRAULIC PERFORMANCE



PERFORMANCE TABLE

MODEL	Motor output (P2)		Motor output (P1)		VOLT	In (A)	µF	Stages	Q	L/min	0	20	40	60	80	100
	HP	kW	HP	kW						m³/h	0	1.2	2.4	3.6	4.8	6
PRATIKA - MAN	1.1	0.8	1.6	1.2	1 - 230 V	5	16	4	m.c.a. / m.w.c.	46	39	31	23	12	3	
PRATIKA - AUT																



OVERALL DIMENSIONS AND WEIGHTS

MODEL	Dimensions (mm)										Weight (kg)
	A	B	Ø C	D	Minimum drainage level E*	Connection level F*	Disconnection level G*	Free clearance	DNM		
PRATIKA	406	162	178	182	50/60	490	260	Ø 1.5	1" 1/4	9	