

NOCCHI SSCX

MONOBLOC SINGLE IMPELLER CENTRIFUGAL PUMPS WITH AXIAL SUCTION AND RADIAL DELIVERY

IMPELLER AND DIFFUSER IN AISI 304 STAINLESS STEEL; HIGH HYDRAULIC EFFICIENCY, OPTIMAL RELIABILITY

centrifugal pumps in the series SSCX are constructed in AISI 304 stainless steel, with a 2-pole self-ventilated asynchronous motor. Recommended for pumping clean water and liquids that are not chemically aggressive in the domestic, agricultural and industrial sectors.

APPLICATIONS

- Pressure booster systems
- Irrigation
- Conveying non aggressive water and liquids
- Gardening

VERSIONS

- Standard: mechanical seal in graphite/ceramic and gaskets in NBR.
- Special: mechanical gasket in silicon carbide/silicon carbide and gaskets in Viton.

APPLICATION DATA

- Type of liquid: clean water and liquids that are not chemically aggressive, without suspended solid bodies.
- Maximum liquid temperature: 90°C.
- Maximum operating pressure: 8 bar (PN8).

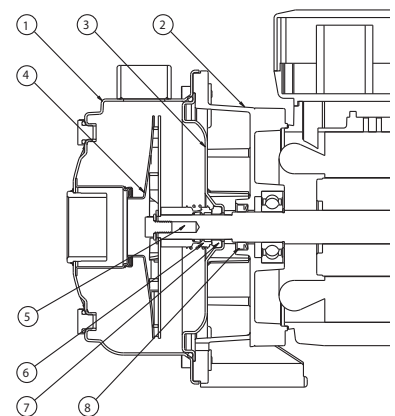
MOTOR

- Closed, ventilated from exterior.
- Protection rating IP 55.
- Insulation class F.
- Single phase power supply with permanently activated capacitor and thermal cutout protection incorporated in the motor winding.
- Three phase power supply with external protection to be fitted by the user.
- Rotation speed 2850 rpm.
- Continuous duty.



TABLE OF MATERIALS

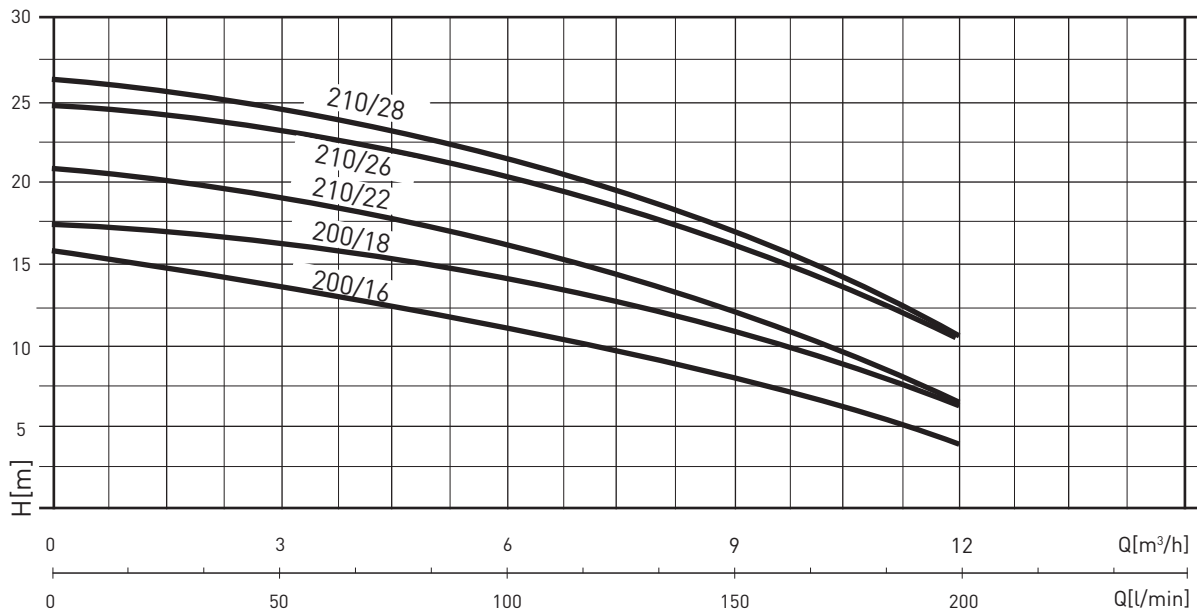
Component	Material
1 Pump body	Stainless steel X5 CrNi 18-10 EN1.4301 (AISI 304)
2 Motor bracket	Aluminum AISI 12 UNI 5076
3 Seal holder base	Stainless steel X5 CrNi 18-10 EN1.4301 (AISI 304)
4 Impeller	Stainless steel X5 CrNi 18-10 EN1.4301 (AISI 304)
5 Shaft (hydraulic section)	Stainless steel X5 CrNi 18-10 EN1.4301 (AISI 304)
6 Mechanical seal (rotary section)	Graphite or silicon carbide
7 Counterface (fixed section)	Ceramic or silicon carbide
8 Seals	NBR 70Shore or Viton



NOCCHI SSCX

MONOBLOC SINGLE IMPELLER CENTRIFUGAL PUMPS WITH AXIAL SUCTION AND RADIAL DELIVERY

HYDRAULIC PERFORMANCE



PERFORMANCE TABLE

MODEL	Motor output (P2)		Motor output (P1)		VOLT	I _n (A)	μF	Q	L/min m³/h	0	20	40	80	120	160	200
	HP	kW	HP	kW						0	1.2	2.4	4.8	7.2	9.6	12
SSCX 200/16M SSCX 200/16T	0.75	0.55	1	0.75	1 ~ 230 V 3 ~ 230 - 400 V	3.5 3.1-1.8	12.5	m.c.a./m.w.c.	16	14.5	14	12.5	9.5	6.5	4	
SSCX 200/18M SSCX 200/18T	1	0.75	1.2	0.9	1 ~ 230 V 3 ~ 230 - 400 V	4 3.1-1.8	16		18	17	16	15	13	10.5	6	
SSCX 210/22M SSCX 210/22T	1.15 1.1	0.85 0.8	1.5 1.4	1.1 1.05	1 ~ 230 V 3 ~ 230 - 400 V	4.9 3.8-2.2	25		21.5	20	19	17	15	11	6	
SSCX 210/26M SSCX 210/26T	1.35	1	1.9	1.4	1 ~ 230 V 3 ~ 230 - 400 V	6.7 5-2.9	25		25.5	24	23	21.5	19	15.5	10	
SSCX 210/28M SSCX 210/28T	1.5 1.4	1.1 1.05	2.1 2	1.55 1.5	1 ~ 230 V 3 ~ 230 - 400 V	7.3 5.6-3.2	25		27	25.5	24.5	23	19.5	16	10	

OVERALL DIMENSIONS AND WEIGHTS

MODEL	Dimensions (mm)							Weight (kg)
	A	B	C	D	E	DNA	DNM	
SSCX 200/16	320	240	50.5	210	105	1" 1/4	1"	8.7
SSCX 200/18	320	240	50.5	210	105	1" 1/4	1"	9.5
SSCX 210/22	350	250	50.5	210	105	1" 1/4	1"	12.1
SSCX 210/26	350	250	50.5	210	105	1" 1/4	1"	13.6
SSCX 210/28	350	250	50.5	210	105	1" 1/4	1"	13.8

