

Self-priming centrifugal pumps

Applications

Booster pumps for pool cleaners.
Designed for operation with chlorinated waters, salty and ozonized waters.

Materials

Pump body, base and diffusers in polymeric materials.
Pump body with pressure gauge and flow-regulating valve included.
Shaft in AISI 316 stainless steel.
Wet end with AISI 316 metallic components.
Mechanical seal in graphite and aluminium oxide.
Motor housing in L-2521 aluminium.
Windings impregnated with polyester resin.

Motor

Asynchronous, w poles.
IP 44 protection.
Class F insulation.
Continuous operation.
Single-phase with built-in thermal protection.

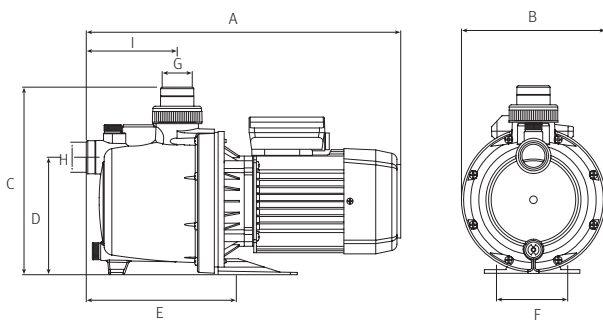
Equipment

Flow-regulator valve and pressure gauge with rotating glass and position signal.

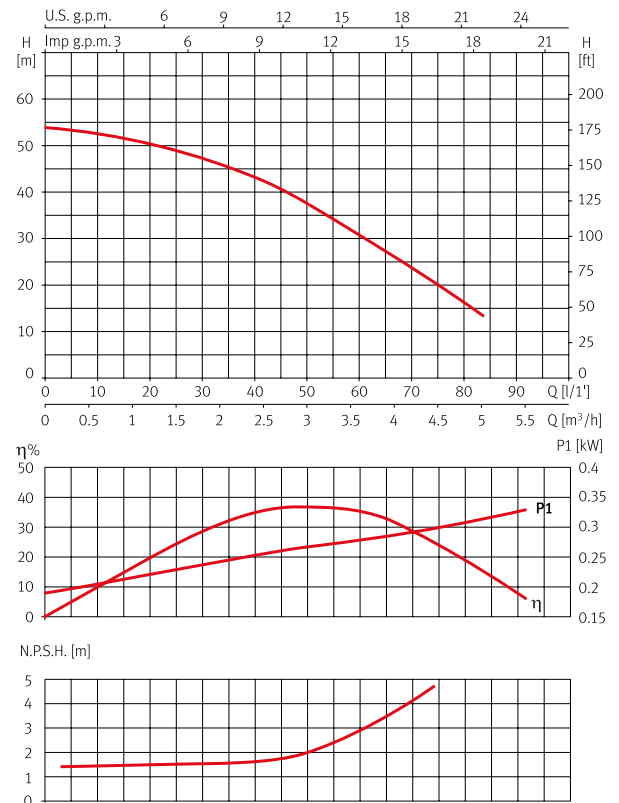


Dimensions and weights

Model	A	B	C	D	E	F	G	H	I	kg
Multipool Plus	415	190	247.5	155	198	94	1"	1"	120	10.5



Performance curves at 2900 rpm



Hydraulic performance table

Model	I (A)			P1 (kW)		P2		μF	L/min								
	1~ 230 V	230 V	3~ 400 V	1~	3~	(kW)	(HP)		m³/h	10	30	40	50	60	65	70	80
Multipool Plus	6	4.1	2.3	1.3	1.2	0.75	1	16	mwc	53	47	43	37	32	27.5	24	17