

### Description

Self-priming centrifugal pump designed for recirculation and filtration of water in home or community swimming pools up to 176 m<sup>3</sup>. High-capacity pre-filter with transparent cap, anti-blocking seal and drainage spout. Supplied with suction and impulsion adaptors.

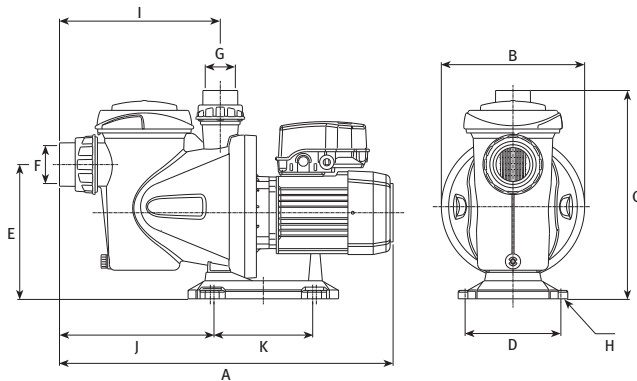
### Materials

- Pump casing, pump base, diffuser, impeller and seal mounting in technopolymer.
- Stainless-steel drive shaft.
- Mechanical seal in graphite and alumine.
- Aluminium motor casing.
- Windings mechanism impregnated with epoxy resin.
- NBR gaskets.

### Motor

- Dual-pole, asynchronous. IP55 protection.
- Class F insulation. Continuous operation.
- Safety system anti-blockage and dry operation protection.
- TAG - RFID with pump identification details.
- Operation time and number of starts and stops registration.
- Single-phase version with built-in thermal protector.

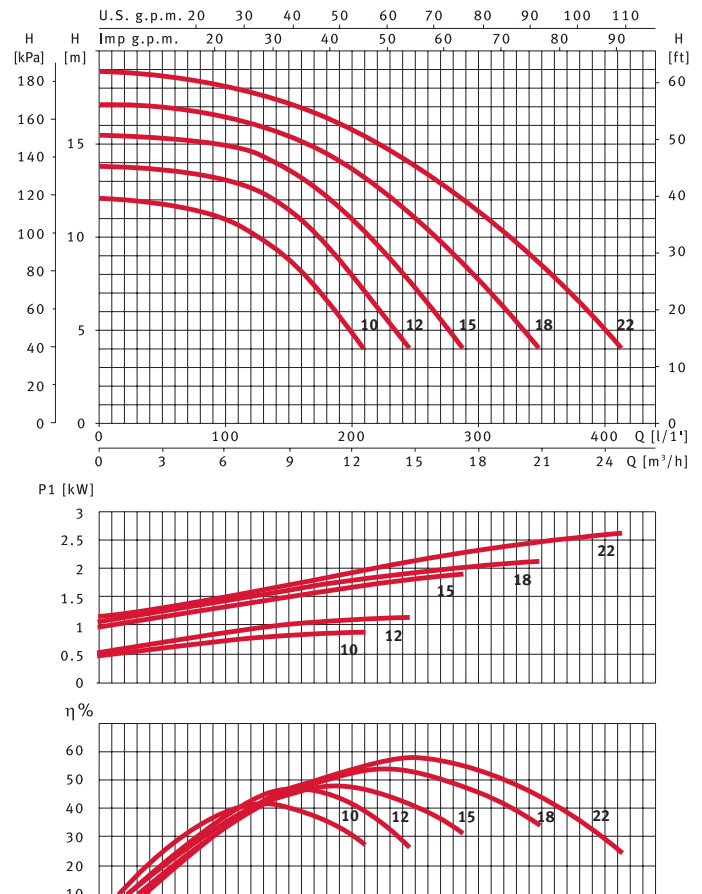
### Dimensions



Model	A	B	C	D	E	F	G	H	I	J	K
S1 60-10	555	238	347	159	224	50	50	9	267	257	164
S1 60-12	555	238	347	159	224	50	50	9	267	257	164
S1 75-15	555	238	347	159	224	50	50	9	267	257	164
S1 100-18	555	238	347	159	224	63	50	9	267	257	164
S1 150-22	577	238	347	159	224	63	50	9	267	257	164



## Blaumar S1



Model	Reference		I (A)			P1 (kW)		P2		c	Ø Suc. (mm)	l/min	Unitary packaging											
	Single-phase	Three-phase	230 V	230 V	400 V	1~	3~	(kW)	(HP)				µF	m³/h	80	120	160	215	265	290	350	400	m³	Kg
S1 60-10	126742	126740	3	2,1	1,2	0,7		0,44	0,60	16	50	mwc	11,2	10,2	8							0,048	9,4	12
S1 60-12	126746	126744	3,7	2,6	1,5	0,8	0,8	0,44	0,60	16	50		13,2	12,6	10,9	6,7						0,048	9,4	12
S1 75-15	126750	126748	5,5	3,8	2,2	1,1	1	0,55	0,75	16	50		15	12,5	13,1	9,9	6					0,048	10,7	12
S1 100-18	126754	126752	6,2	4,3	2,5	1,2	1,2	0,75	1	16	63		16,5	16	15	12,9	10	8,4				0,048	11,4	12
S1 150-22	126758	126756	7,1	5,1	2,9	1,6	1,6	1,1	1,50	25	63		18,2	17,7	16,9	15,1	13	11,9	8,4	5,1		0,048	13,6	12