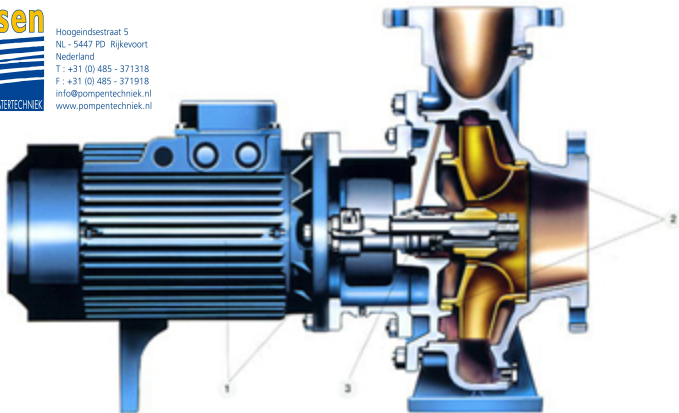


# Normabloc N series



Hoogeindestraat 5  
NL - 5447 PD Rijkevoort  
Nederland  
T: +31 (0) 485 - 371318  
F: +31 (0) 485 - 371918  
info@pompeentechniek.nl  
www.pompeentechniek.nl



## 1 Easy maintenance

Standardized I.E.C. motor  
with independent pump shaft.

## 2 Wear rings

In the cover and the casing to  
provide and easy repair

## 3 Standardized mechanical seal

With shaft sleeve

## Construction versions depending on the motor size:

**B:** sizes  
71M, 80M, 90S, 90L



**D:** sizes  
100L, 112M



**C:** sizes 132S, 132M, 160,  
160L, 180M, 180L



### Materials

- Casing: GG25, RG5
- Impeller: GG25, CF8M, RG5
- Shaft: F114, AISI 316L
- Shaft sleeve: AISI 316L
- Cover: GG25 / RG5

### Technical data

Sizes:	DN 32-150
Maximum flow:	440 m <sup>3</sup> /h
Maximum head:	99 m
Maximum pressure:	10 bar
Temperature:	-15 hasta 140°C