



SOLARPLUS SAFE

expansion vessel for solar systems
 capacity: from 18 - 50 litres

Advantages

SOLARPLUS SAFE is a product which combines SOLARPUS and VSG vessels into only one vessel. This vessel is suitable for use in solar systems according to EN 12976 and EN 12977 (DIN 4757). The vessel ensures safe operation even in the the case of excessive temperatures.

Technical and dimensional data

Model	Code	Capacity (Ltr)	Ø Diameter	Height	Connection
SOLAR PLUS SAFE	11A2001822	18 Solar + 6 VSG	270 mm	453 mm	3/4" G
SOLAR PLUS SAFE	11A2002522	25 Solar + 10 VSG	300 mm	526 mm	3/4" G
SOLAR PLUS SAFE	11A2003319	35 Solar + 12 VSG *	380 mm	480 mm	3/4" G
SOLAR PLUS SAFE	11A2005010	50 Solar + 15 VSG *	380 mm	650 mm	3/4" G

* With feet

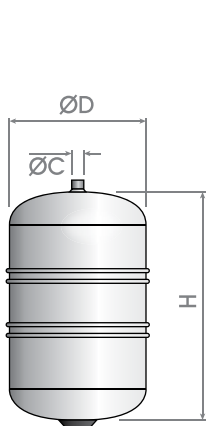
Material description

Description	Material
Shell	Carbon Steel
Connections	Carbon Steel
Colour	White epoxy-powder coating

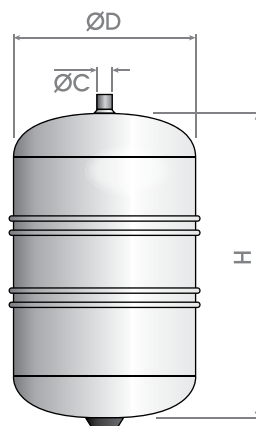
Operating conditions

Maximum operating pressure	10 bar
Factory precharge	2.5 bar
Maximum temperature on the membrane	100°C
Membrane	ZILAN membrane
Approval	European directive 97/23/EC

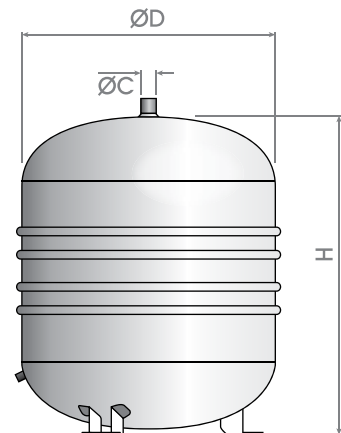
Technical drawings



18 litre SOLAR + 6 litre VSG



25 litre SOLAR + 10 litre VSG



35 litre SOLAR + 12 litre VSG
 50 litre SOLAR + 15 litre VSG