

Technical data

flow: up to 180 m³/h
 head: up to 16 m
 free passage: up to 100 mm
 medium temperature: max. 40 °C
 voltage: 3 x 400 V, 50 Hz

Application

Pumping of grey and waste water with coarse, soft solids as well as fibrous admixture of 50 mm length. (also muds)
 For stationary and portable operation – fully submerged.
 Safe, continuous operation up to 40° C with fully submerged pump.

Main application

Pumping of waste water from business locations, agriculture and industry.

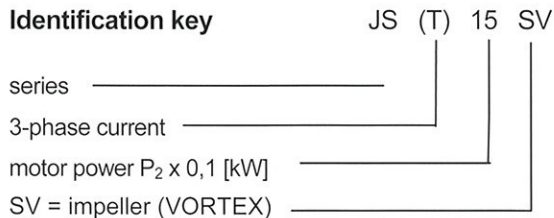
Extent of delivery

including 10 m electrical cable.

Accessories

All types can be connected to SR 80 (type JST 55 SV and JST 75 SV with SR 100)
 Storz couplings, hoses, motor protection switch with/without automatic float switch and control units.

Identification key



Pump

Submersible pumps are constructed as one block. I.e. motor and pump are directly connected by the drive shaft. S-series with single channel impeller. The water pressure tight encapsulated motor is cooled by the surrounding medium.

Impeller

“SV”-series impellers are constructed acc. to the VORTEX centrifugal wheel principle which prevents clogging of the pump.

Motor

3-phase motor with integrated overload protection
 400 V (3-phase), 50 Hz,
 protection: IP 68, Insulation class E.

Sealing

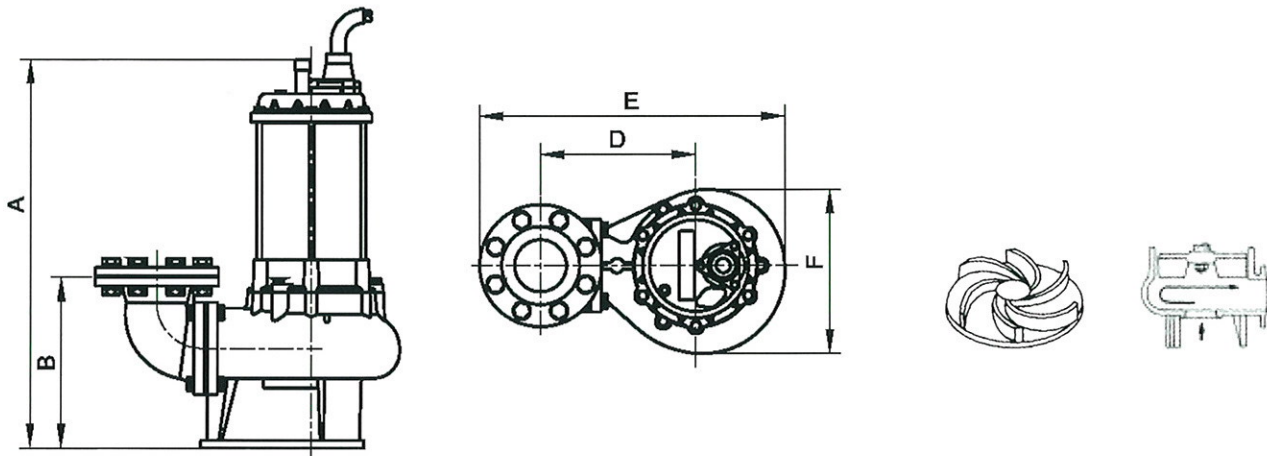
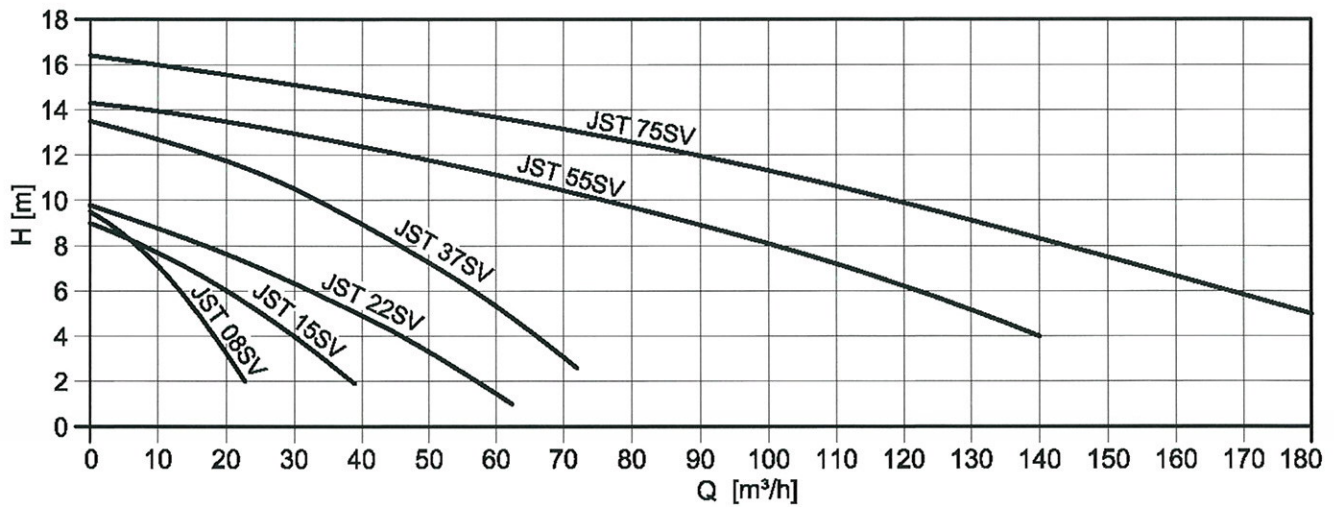
Triple sealing system, Motor : slip ring seal carbon/ceramics
 medium: slip ring seal SIC/SIC
 and shaft seal ring NITRILE, with intervening oil retention chamber.

Material

component	material
motor housing	stainless steel 1.4301
motor head	cast iron, EN GJL 250
pump housing	cast iron, EN GJL 250
impeller	cast iron, EN GJL 250
transport handle	stainless steel 1.4301

Specification

type	motor output P ₂ [kW]	rated current (A)	3 x 400 V, 50 Hz						
			Q	H	Q	H	Q	H	Q
JST 08 SV	0,75	2,0	Q	0	3	6	12	18	23
			H	9,5	9	8,5	6	4	2
JST 15 SV	1,5	3,4	Q	0	6	12	20	30	39
			H	9	8,5	7	6	4	2
JST 22 SV	2,2	5,0	Q	0	12	25	35	50	62
			H	10	8,5	7	5,5	3,5	1
JST 37 SV	3,7	8,0	Q	0	25	40	50	60	72
			H	13,5	11	9	7,5	5,5	2,5
JST 55 SV	5,5	11,0	Q	0	30	60	90	120	140
			H	14	13	11	9	6	4
JST 75 SV	7,5	16,0	Q	0	60	90	120	150	180
			H	16,5	13,8	12	10	7,5	5



type	motor output		voltage 50 Hz	rated current [A]	H _{max} [m]	Q _{max} [m³/h]	free ball passage [mm]	outlet R	sizes					weight [kg]
	P ₁ [kW]	P ₂ [kW]							A [mm]	B [mm]	D [mm]	E [mm]	F [mm]	
JST 08 SV	1,2	0,75	400 V ~ 3 ph	2,0	9	23	45	3"	420	152	132	280	170	21
JST 15 SV	2,2	1,5	400 V ~ 3 ph	3,4	9	39	65	3"	450	250	205	388	185	23
JST 22 SV	3,5	2,2	400 V ~ 3 ph	5,0	10	62	65	3"	580	290	238	465	255	39
JST 37 SV	5,0	3,7	400 V ~ 3 ph	8,0	13	72	65	3"	610	290	238	465	255	45
JST 55 SV	7,5	5,5	400 V ~ 3 ph	11,0	14	150	100	4"	765	360	425	660	315	100
JST 75 SV	12,0	7,5	400 V ~ 3 ph	16,0	16	180	100	4"	825	360	425	660	315	110



Hoogindsestraat 5
 NL - 5447 PD Rijkevoort
 Nederland
 T : +31 (0) 485 - 371318
 F : +31 (0) 485 - 371918
 info@pompentechiek.nl
 www.pompentechiek.nl