

## UNDERWATER PUMP

### Series TM / packages

#### IRRIGATION WATER SUPPLY – PACKAGE:

##### Delivery content:

- plug-in ready deep well pump with 20 m connection cable incl. switch device, 230 V 50 Hz, capacitor integrated plug and motor protection
- pressure switch with dry run protection
- 10 m stainless steel drop wire with wire clips
- non return valve



#### DOMESTIC WATER SUPPLY – PACKAGE:

##### Delivery content:

- plug-in ready deep well pump with 20 m connection cable incl. switch device, 230 V 50 Hz, capacitor integrated plug and motor protection
- 20 ltr. Butyl-membrane pressure vessel steel lined
- pressure switch, manometer, 5- way piece, connection hose
- dry run protection hydrostop
- 10 m stainless steel drop wire with wire clips
- non return valve



Description	Item-No.	Weight [kg]
Irrigation water supply – package TM 12-1	11943	15
Irrigation water supply – package TM 15-1	11909	17
Irrigation water supply – package TM 16	11913	18
Irrigation water supply – package TM 31	11963	15
Irrigation water supply – package TM 32	11964	17
Irrigation water supply – package TM 33	11982	16
Domestic water supply – package TM 12-1	11944	21
Domestic water supply – package TM 15-1	11910	23
Domestic water supply – package TM 16	11914	24
Domestic water supply – package TM 31	11964	21
Domestic water supply – package TM 32	11975	23
Domestic water supply – package TM 33	11983	22

### TM 5 ZD – 5" Deep Well Pump with Pressure Intergrated Control

**NEW**

#### TECHNICAL DATA:

Type	Item-No.	U	P1 [kW]	P2 [kW]	I [A]	Qmax [m³/h]	Hmax [m]	Outside Ø [mm]	Overall length [mm]	Pressure connection
TM 5 ZD1	17229	230 V	1,2	0,9	5	4	62	126	560	1"

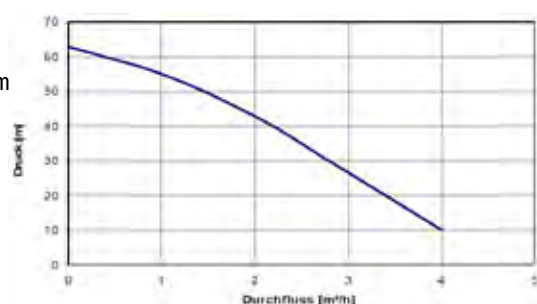
#### EXECUTION:

- Integrated pressure control with dry-run protection
- Excellent hydraulic performance caused by pump housing and wheels are from stainless steel
- Engine mounting with lifelong lubrication
- Ideal efficiency by water cooled motor with built in thermal winding shield
- 15 m cabel connection with three-pin plug
- Integrated non-return valve

#### APPLICATION CONDITIONS:

- Water temperature from 5°C up to 35°C
- Maximum solid size diameter 2 mm
- Maximum frequency operation 30 times per hour
- For vertical operation only
- Weight: 12,4 kg

#### CHARACTERISTIC:



Accessories for float draw-off you will find at page 56

**Series TM / Float draw-off**



**DELIVERY CONTENTS:**

**TM 12-1 with float draw-off**

- TM 12-1 deep well pump with 20 m cable with shockproof socket-integrated capacitor, mains switch and motor protection
- Float draw-off 1 ¼" with filter, length of hose 1 m
- Pump underframe with tension clamp
- 4 m plastic rope as an aid to drain

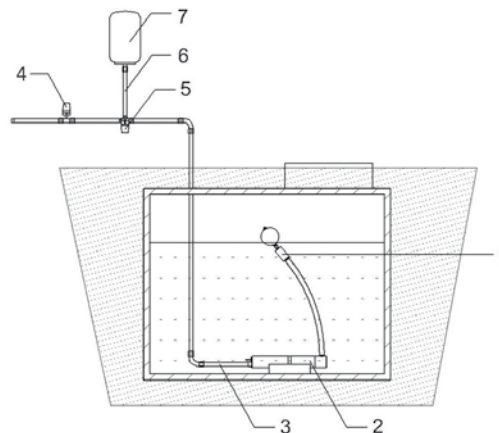
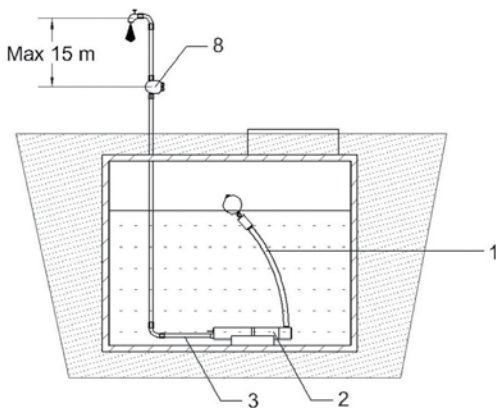
Description	Item-No.	Weight [kg]	price group
TM 12-1 with float draw-off	13915	14	A
Sprinkling package TM 12-1 with float draw-off	13917	17	A
Water supply package TM 12-1 with float draw-off	13918	23	A
Conversion Kit float draw-off TM 12-1 – TM 16	14096	2	B

**Sprinkling package with TM 12-1 with float draw-off**

- TM deep well pump with float draw-off (see above)
- electronic pressure switch with dry run protection
- Non-return valve

**Water supply package with TM 12-1 with float draw-off**

- TM deep well pump with float draw-off (see above)
- Diaphragm pressure vessel, 20 l steel plated
- Pressure switch, manometer, 5-Way piece, Reinforced hose, Dry run protection
- Non-return valve



**Sprinkling package**

- 1 – float draw-off
- 2 – Pump with support
- 3 – Pressure pipe
- 4 – dry run protection

**Water supply package**

- 5 – pressure switch with a 5 way joint
- 6 – Pressure pipe
- 7 – Diaphragm pressure vessel
- 8 – Pressure switch

**TM 5 ZD / FLOAT DRAW-OFF**

**NEW**

**complete set**  
Item-No. 17231



**retrofit kit**  
Item-No. 17230  
(price group B)

