

3 KVCX

SETS WITH 3 VERTICAL MULTISTAGE CENTRIFUGAL PUMPS



Water lifting sets specifically suitable for domestic applications and small systems for civil, agricultural or industrial uses. The use of multistage vertical axis centrifugal pumps is a guarantee of high performance and efficiency levels.

These pumps are characterised by their compact dimensions, rugged construction, extreme reliability and very low noise operation.

Control panel in impact-resistant self-extinguishing plastic with IP 55 protection rating. The control panel enclosure houses the main power switch, thermal magnetic cut-outs to protect the electric pumps, electric pump starting sequence changeover system, low voltage 24V control circuit, MAN- O-AUT selectors, (start

pushbuttons for single-phase version panel), indicator lights on front panel. Installed on specifically designed column mounted on pumps skid. 3 preset pressure switches for pumps starting / stopping. The control panel of 2KVCX and 3KVCX pump sets is prearrange for connection of: Pressure switch or float switch kit to protect against dry running (*)

Overpressure cut-out pressure switch kit (*)

(*) Optional items available on request

The pump sets are supplied in a strong carton on a wooden pallet complete with installation/maintenance instructions and wiring diagram.

TECHNICAL DATA

MODEL	CODE	ELECTRICAL DATA				MAX PRESSURE OBTAINABLE BAR	PRESSURE SWITCH SETTING IN BAR
		VOLTAGE 50 Hz	P2 NOMINAL		In A		
			KW X3	HP X 3			
3KVCX 30/50 M 230-50	500135020	1 X 230 V ~	0,55	0,75	3x 4	4	1,5 – 3,5
3KVCX 30/50 T 400-50	500135520	3 X 400 V ~	0,55	0,75	3x 1,4	4	1,5 – 3,5
3KVCX 40/50 M 230-50	500135030	1 X 230 V ~	0,8	1,1	3x 5,6	5,2	3 – 5
3KVCX 40/50 T 400-50	500135530	3 X 400 V ~	0,8	1,1	3x 2,2	5,2	3 – 5
3KVCX 55/50 M 230-50	500135040	1 X 230 V ~	1	1,36	3x 6,4	6,5	4 – 6
3KVCX 55/50 T 400-50	500135540	3 X 400 V ~	1	1,36	3x 2,6	6,5	4 – 6
3KVCX 65/50 M 230-50	500135050	1 X 230 V ~	1,1	1,5	3x 7,4	8	5,5 – 7,5
3KVCX 65/50 T 400-50	500135550	3 X 400 V ~	1,1	1,5	3x 3,1	8	5,5 – 7,5
3KVCX 75/50 M 230-50	500135060	1 X 230 V ~	1,5	2	3x 9	9	6,5 – 8,5
3KVCX 75/50 T 400-50	500135560	3 X 400 V ~	1,5	2	3x 3,6	9	6,5 – 8,5
3KVCX 30/80 M 230-50	500135100	1 X 230 V ~	0,8	1,1	3x 5,6	4,5	2 – 4
3KVCX 30/80 T 400-50	500135600	3 X 400 V ~	0,8	1,1	3x 2,2	4,5	2 – 4
3KVCX 40/80 M 230-50	500135110	1 X 230 V ~	1	1,36	3x 6,5	5,5	3 – 5
3KVCX 40/80 T 400-50	500135610	3 X 400 V ~	1	1,36	3x 2,6	5,5	3 – 5
3KVCX 45/80 M 230-50	500135120	1 X 230 V ~	1,1	1,5	3x 7,4	6,8	4 – 6
3KVCX 45/80 T 400-50	500135620	3 X 400 V ~	1,1	1,5	3x 3,1	6,8	4 – 6
3KVCX 55/80 M 230-50	500135130	1 X 230 V ~	1,5	2	3x 9	8	5 – 7
3KVCX 55/80 T 400-50	500135630	3 X 400 V ~	1,5	2	3x 3,6	8	5 – 7
3KVCX 65/80 T 400-50	500135640	3 X 400 V ~	2,2	3	3x 4	9,2	6 – 8
3KVCX 35/120 M 230-50	500135200	1 X 230 V ~	1,1	1,5	3x 7,4	4,5	2 – 4
3KVCX 35/120 T 400-50	500135700	3 X 400 V ~	1,1	1,5	3x 3,5	4,5	2 – 4
3KVCX 45/120 M 230-50	500135210	1 X 230 V ~	1,85	2,5	3x 12	6	3,5 – 5,5
3KVCX 45/120 T 400-50	500135710	3 X 400 V ~	1,85	2,5	3x 4,6	6	3,5 – 5,5
3KVCX 60/120 T 400-50	500135720	3 X 400 V ~	2,2	3	3x 5,4	7,5	4,5 – 6,5
3KVCX 70/120 T 400-50	500135730	3 X 400 V ~	3	4	3x 6,8	9	6 – 8
3KVCX 85/120 T 400-50	500135740	3 X 400 V ~	3	4	3x 7,8	10,5	8 – 10

The sets are supplied as standard with tanks and with air supply connector.

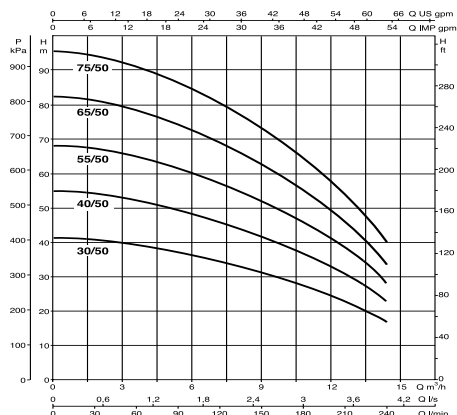
DAB PUMPS reserves the right to make modifications without notice



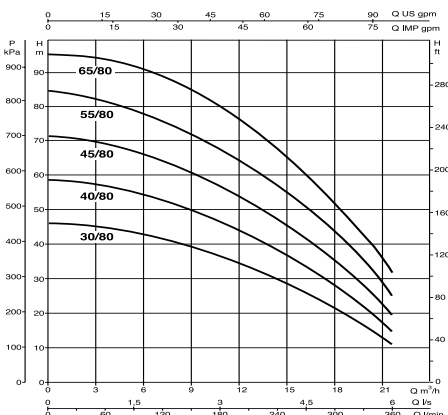
3 KVCX

SETS WITH 3 VERTICAL MULTISTAGE CENTRIFUGAL PUMPS

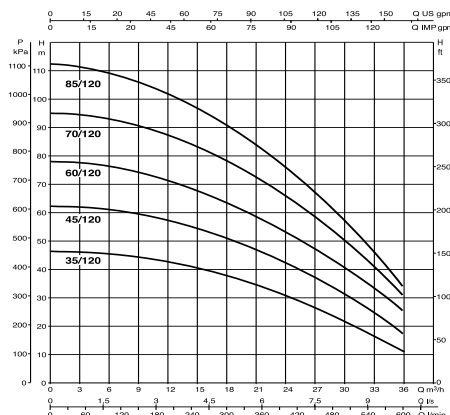
3 KVCX 50



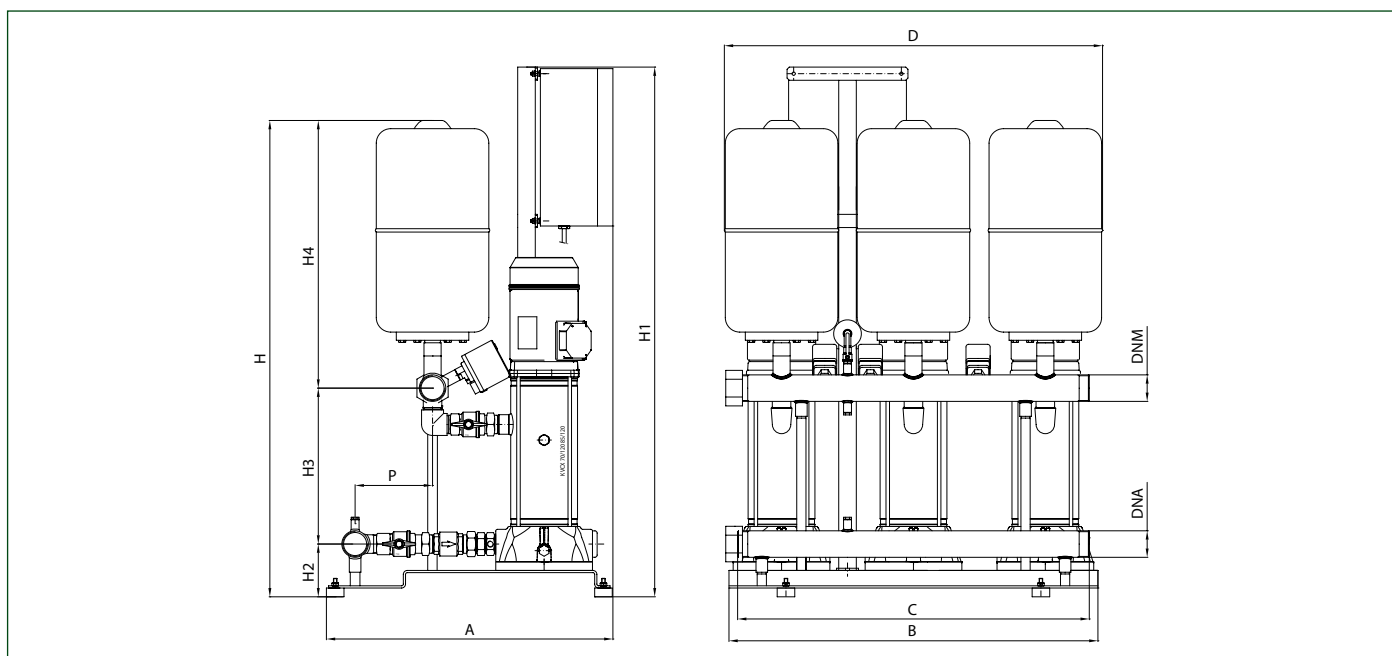
3 KVCX 80



3 KVCX 120



DIMENSIONS AND WEIGHTS



MODEL	A	B	C	D	P	H	H1	H2	H3	Ø MANIFOLD		WEIGHT Kg	
										DNA (suction)	DNM (delivery)	Single-Phase	Three-Phase
3KVCX 30/50 M-T	655	840	800	860	175	940	1205	120	210	2" 1/2	2" 1/2	109	109
3KVCX 40/50 M-T	655	840	800	860	175	995	1205	120	265	2" 1/2	2" 1/2	115	115
3KVCX 55/50 M-T	655	840	800	860	175	995	1205	120	265	2" 1/2	2" 1/2	119	119
3KVCX 65/50 M-T	655	840	800	860	175	1085	1205	120	355	2" 1/2	2" 1/2	128	127
3KVCX 75/50 M-T	655	840	800	860	175	1085	1205	120	355	2" 1/2	2" 1/2	132	130
3KVCX 30/80 M-T	655	840	800	860	175	995	1205	120	265	2" 1/2	2" 1/2	115	114
3KVCX 40/80 M-T	655	840	800	860	175	995	1205	120	265	2" 1/2	2" 1/2	119	119
3KVCX 45/80 M-T	655	840	800	860	175	1085	1205	120	355	2" 1/2	2" 1/2	128	128
3KVCX 55/80 M-T	655	840	800	860	175	1085	1205	120	355	2" 1/2	2" 1/2	131	128
3KVCX 65/80 T	655	840	800	860	175	1185	1205	120	385	2" 1/2	2" 1/2	-	133
3KVCX 35/120 M-T	655	840	800	860	175	940	1205	120	210	2" 1/2	2" 1/2	128	128
3KVCX 45/120 M-T	655	840	800	860	175	995	1205	120	265	2" 1/2	2" 1/2	134	134
3KVCX 65/120 T	655	840	800	860	175	995	1205	120	265	2" 1/2	2" 1/2	-	140
3KVCX 70/120 T	655	840	800	860	175	1085	1205	120	355	2" 1/2	2" 1/2	-	146
3KVCX 85/120 T	655	840	800	860	175	1085	1205	120	355	2" 1/2	2" 1/2	-	148