

2 KVCX

SETS WITH 2 VERTICAL MULTISTAGE CENTRIFUGAL PUMPS



Water lifting sets specifically suitable for domestic applications and small systems for civil, agricultural or industrial uses. The use of multistage vertical axis centrifugal pumps is a guarantee of high performance and efficiency levels.

These pumps are characterised by their compact dimensions, rugged construction, extreme reliability and very low noise operation.

Control panel made of impact-resistant self-extinguishing

plastic with IP55 protection rating.

The panel protects the electric pumps and operates them in sequence, maintaining the plant at a factory set average pressure value.

The average pressure value can be adjusted by means of a trimmer located inside the panel.

At each operating cycle the pumps starting sequence is inverted. The pressure value is read by the pressure transmitter located on the outlet manifold.

TECHNICAL DATA

MODEL	CODE	ELECTRICAL DATA				MAX PRESSURE OBTAINABLE BAR	PRESSURE SWITCH SETTING IN BAR
		VOLTAGE 50 Hz	P2 NOMINAL		In A		
			KW X2	HP X2			
2KVCX 30/50 M 230-50	500125120	1 X 230 V ~	0,55	0,75	2x 4	4	2 - 3,5
2KVCX 30/50 T 400-50	500125620	3 X 400 V ~	0,55	0,75	2x 1,4	4	2 - 3,5
2KVCX 40/50 M 230-50	500125130	1 X 230 V ~	0,8	1,1	2x 5,6	5,2	3,5 - 5
2KVCX 40/50 T 400-50	500125630	3 X 400 V ~	0,8	1,1	2x 2,2	5,2	3,5 - 5
2KVCX 55/50 M 230-50	500125140	1 X 230 V ~	1	1,36	2x 6,4	6,5	4,5 - 6
2KVCX 55/50 T 400-50	500125640	3 X 400 V ~	1	1,36	2x 2,6	6,5	4,5 - 6
2KVCX 65/50 M 230-50	500125150	1 X 230 V ~	1,1	1,5	2x 7,4	8	6 - 7,5
2KVCX 65/50 T 400-50	500125650	3 X 400 V ~	1,1	1,5	2x 3,1	8	6 - 7,5
2KVCX 75/50 M 230-50	500125160	1 X 230 V ~	1,5	2	2x 9	9	7 - 8,5
2KVCX 75/50 T 400-50	500125660	3 X 400 V ~	1,5	2	2x 3,6	9	7 - 8,5
2KVCX 30/80 M 230-50	500125200	1 X 230 V ~	0,8	1,1	2x 5,6	4,5	2,5 - 4
2KVCX 30/80 T 400-50	500125700	3 X 400 V ~	0,8	1,1	2x 2,2	4,5	2,5 - 4
2KVCX 40/80 M 230-50	500125210	1 X 230 V ~	1	1,36	2x 6,5	5,5	3,5 - 5
2KVCX 40/80 T 400-50	500125710	3 X 400 V ~	1	1,36	2x 2,6	5,5	3,5 - 5
2KVCX 45/80 M 230-50	500125220	1 X 230 V ~	1,1	1,5	2x 7,4	6,8	4,5 - 6
2KVCX 45/80 T 400-50	500125720	3 X 400 V ~	1,1	1,5	2x 3,1	6,8	4,5 - 6
2KVCX 55/80 M 230-50	500125230	1 X 230 V ~	1,5	2	2x 9	8	5,5 - 7
2KVCX 55/80 T 400-50	500125730	3 X 400 V ~	1,5	2	2x 3,6	8	5,5 - 7
2KVCX 65/80 T 400-50	500125740	3 X 400 V ~	2,2	3	2x 4	9,2	6,5 - 8
2KVCX 35/120 M 230-50	500125300	1 X 230 V ~	1,1	1,5	2x 7,4	4,5	2,5 - 4
2KVCX 35/120 T 400-50	500125800	3 X 400 V ~	1,1	1,5	2x 3,5	4,5	2,5 - 4
2KVCX 45/120 M 230-50	500125310	1 X 230 V ~	1,85	2,5	2x 12	6	4 - 5,5
2KVCX 45/120 T 400-50	500125810	3 X 400 V ~	1,85	2,5	2x 4,6	6	4 - 5,5
2KVCX 60/120 T 400-50	500125820	3 X 400 V ~	2,2	3	2x 5,4	7,5	5 - 6,5
2KVCX 70/120 T 400-50	500125830	3 X 400 V ~	3	4	2x 6,8	9	6,5 - 8
2KVCX 85/120 T 400-50	500125840	3 X 400 V ~	3	4	2x 7,8	10,5	8,5 - 10

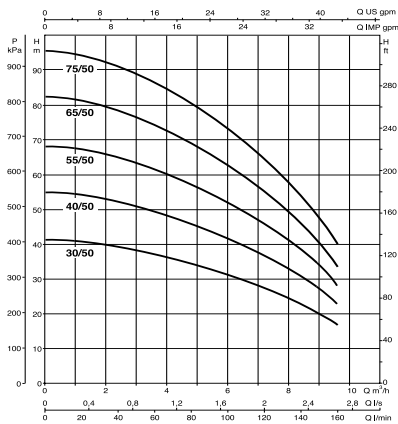
The sets are supplied as standard with tanks and with air supply connector.

DAB PUMPS reserves the right to make modifications without notice

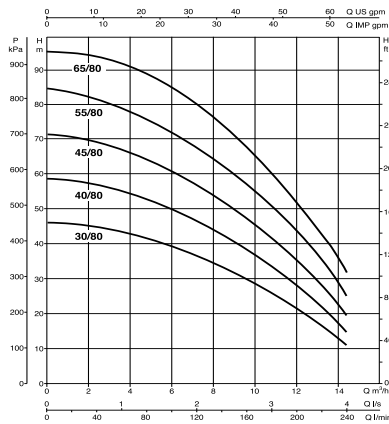
2 KVCX

SETS WITH 2 VERTICAL MULTISTAGE CENTRIFUGAL PUMPS

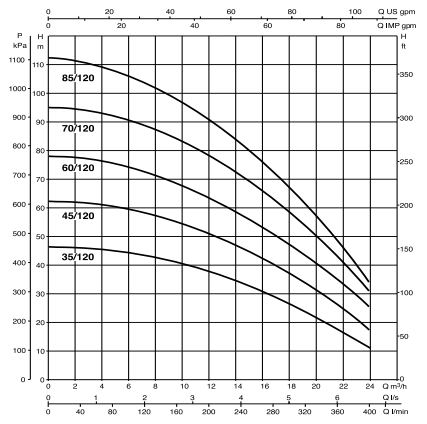
2 KVCX 50



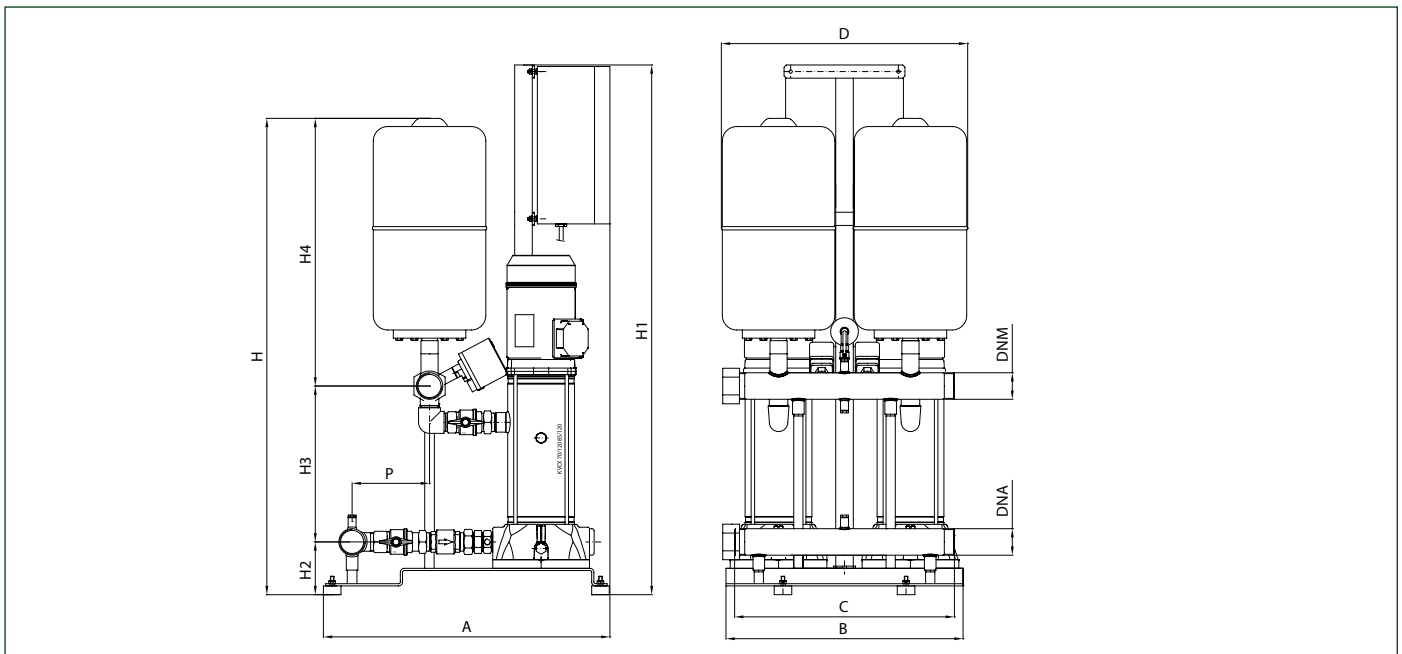
2 KVCX 80



2 KVCX 120



DIMENSIONS AND WEIGHTS



MODEL	A	B	C	D	P	H	H1	H2	H3	H4	Ø MANIFOLD		WEIGHT Kg	
											DNA (suction)	DNM (delivery)	Single-Phase	Three-Phase
2KVCX 30/50 M-T	655	540	500	560	175	940	1205	120	210	610	2" 1/2	2"	70	70
2KVCX 40/50 M-T	655	540	500	560	175	995	1205	120	265	610	2" 1/2	2"	74	74
2KVCX 55/50 M-T	655	540	500	560	175	995	1205	120	265	610	2" 1/2	2"	76	76
2KVCX 65/50 M-T	655	540	500	560	175	1085	1205	120	355	610	2" 1/2	2"	82	81
2KVCX 75/50 M-T	655	540	500	560	175	1085	1205	120	355	610	2" 1/2	2"	74	73
2KVCX 30/80 M-T	655	540	500	560	175	995	1205	120	265	610	2" 1/2	2"	73	73
2KVCX 40/80 M-T	655	540	500	560	175	995	1205	120	265	610	2" 1/2	2"	76	76
2KVCX 45/80 M-T	655	540	500	560	175	1085	1205	120	355	610	2" 1/2	2"	82	82
2KVCX 55/80 M-T	655	540	500	560	175	1085	1205	120	355	610	2" 1/2	2"	84	82
2KVCX 65/80 T	655	540	500	560	175	1185	1205	120	385	610	2" 1/2	2"	-	85
2KVCX 35/120 M-T	655	540	500	560	175	940	1205	120	210	610	2" 1/2	2"	82	82
2KVCX 45/120 M-T	655	540	500	560	175	995	1205	120	265	610	2" 1/2	2"	86	86
2KVCX 60/120 T	655	540	500	560	175	995	1205	120	265	610	2" 1/2	2"	-	90
2KVCX 70/120 T	655	540	500	560	175	1085	1205	120	355	610	2" 1/2	2"	-	94
2KVCX 85/120 T	655	540	500	560	175	1085	1205	120	355	610	2" 1/2	2"	-	95