

NOVA SALT W SUBMERSIBLE PUMPS



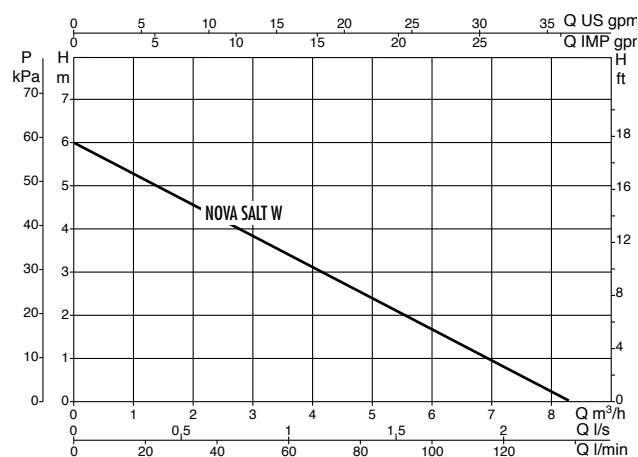
SALT WATER

The Nova Salt W M-A is a multi- purpose submersible pump specifically constructed for use in **salt water**.
 Anti-corrosive and rust-proof materials.
 Motor casing, shaft, screws and nuts made of stainless steel AISI 316.
 Cable with tin plated conductors.
 Motor with thermic overload protection.
 Wear resistant shaft and impeller.

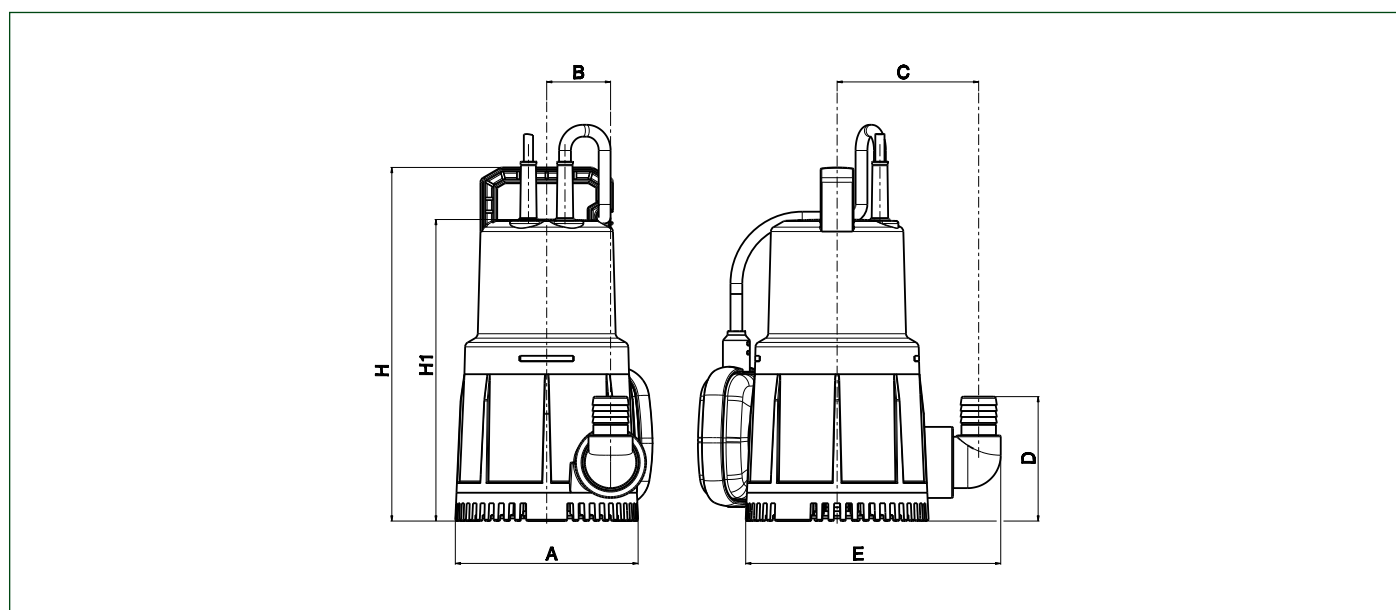
Excellent cooling of the motor that enables the pump to operate even when it is partially submersible.
 Manual and Automatic version with start/ stop float switch.
 Supplied with power cable with plug and self-sealing fitting.

TECHNICAL DATA

MODEL	CODE	ELECTRICAL DATA				
		VOLTAGE 50 HZ	P1 MAX kW	P2 NOMINAL		In A
				kW	HP	
NOVA SALT W M-A	60122652	1X230 V~	0,28	0,2	0,28	1,3



DIMENSIONS AND WEIGHTS



MODEL	A	B	C	D	E	H	H1	DNM GAS	CABLE	Q.TY X PALLETS	WEIGHT KG
NOVA SALT W M-A	140	48	107	95	195	270	230	1 1/4"	10 mt.	48	3,9