

JET - JET INOX / EURO - EUROINOX M-P CENTRIFUGAL PUMPS FITTED



DOMESTIC WATER SUPPLY



JET M-P



JETINOX M-P



JET 151-251 M-P



JET 151-251 T-P

SINGLE-PHASE VERSION

Self-priming pump equipped with gauge, pressure switch, power supply cable with plug and three-way brass fitting for connecting to a tank.

THREE-PHASE VERSION

Self-priming electropump equipped with gauge, pressure switch, overload cutout and three-way brass fitting for connecting to a tank

TECHNICAL DATA - JET M-P - JETINOX M-P

| MODEL | CODE | ELECTRICAL DATA | | | | | | |
|-----------------|-----------|------------------|--------------|------------|------|---------|-----------|-----|
| | | VOLTAGE 50 Hz | P1 MAX kW | P2 NOMINAL | | In A | CAPACITOR | |
| | | | | kW | HP | | µF | Vc |
| JET 62 M-P | 102662000 | 1x220-240 V ~ | 0,72 | 0,44 | 0,6 | 3,12 | 12,5 | 450 |
| JET 82 M-P | 102662020 | 1x220-240 V ~ | 0,85 | 0,6 | 0,8 | 3,8 | 12,5 | 450 |
| JET 102 M-P | 102662040 | 1x220-240 V ~ | 1,13 | 0,75 | 1 | 5,1 | 16 | 450 |
| JET 112 M-P | 102662060 | 1x220-240 V ~ | 1,4 | 1 | 1,36 | 6,2 | 25 | 450 |
| JET 132 M-P | 102662100 | 1x220-240 V ~ | 1,49 | 1 | 1,36 | 6,6 | 25 | 450 |
| JET 200 M-P | 102162182 | 1x220-240 V ~ | 2 | 1,5 | 2 | 9 | 31,5 | 450 |
| JET 200 T-P | 60147316 | 3x400 V ~ | 2 | 1,5 | 2 | 3,9 | - | - |
| JET 300 M-P | 102162192 | 1x220-240 V ~ | 2,7 | 2,2 | 3 | 12 | 40 | 450 |
| JET 300 T-P | 60147318 | 3x400 V ~ | 2,7 | 2,2 | 3 | 8,5-4,9 | - | - |
| JET 151 M-P | 102162062 | 1x220-240 V ~ | 1,6 | 1,1 | 1,5 | 7,2 | 31,5 | 450 |
| JET 151 T-P | 60147315 | 3x400 V ~ | 1,6 | 1,1 | 1,5 | 5,2-3 | - | - |
| JET 251 M-P | 102162082 | 1x220-240 V ~ | 2,2 | 1,85 | 2,5 | 10 | 40 | 450 |
| JET 251 T-P | 60147317 | 3x400 V ~ | 2,2 | 1,85 | 2,5 | 6,9-4 | - | - |
| JETINOX 82 M-P | 102642020 | 1x220-240 V ~ | 0,85 | 0,6 | 0,8 | 3,8 | 12,5 | 450 |
| JETINOX 102 M-P | 102642040 | 1x220-240 V ~ | 1,13 | 0,75 | 1 | 5,1 | 16 | 450 |
| JETINOX 112 M-P | 102642060 | 1x220-240 V ~ | 1,4 | 1 | 1,36 | 6,2 | 25 | 450 |
| JETINOX 132 M-P | 102642100 | 1x220-240 V ~ | 1,49 | 1 | 1,36 | 6,6 | 25 | 450 |

* NEW IE2 MOTOR

JET - JET INOX / EURO - EUROINOX M-P

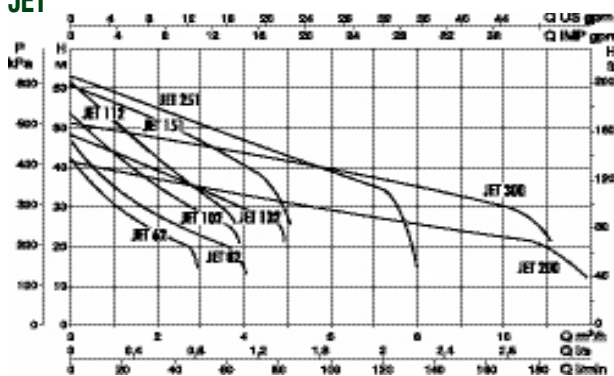
CENTRIFUGAL PUMPS FITTED

TECHNICAL DATA - EURO M-P - EUROINOX M-P

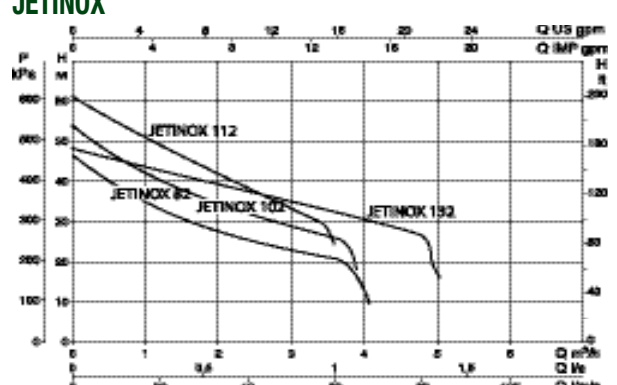
| MODEL | CODE | ELECTRICAL DATA | | | | | | |
|--------------------|-----------|------------------|--------------|------------|------|---------|-----------|-----|
| | | VOLTAGE 50 Hz | P1 MAX KW | P2 NOMINAL | | In A | CAPACITOR | |
| | | | | KW | HP | | µF | Vc |
| EURO 30/50 M-P | 102972060 | 1 x 220-240V~ | 0,88 | 0,55 | 0,75 | 3,9 | 12,5 | 450 |
| EURO 40/50 M-P | 102972080 | 1 x 220-240V~ | 1,2 | 0,8 | 1,1 | 5,3 | 25 | 450 |
| EURO 30/80 M-P | 102972140 | 1 x 220-240V~ | 1,2 | 0,75 | 1 | 5,3 | 25 | 450 |
| EURO 40/80 M-P | 102972160 | 1 x 220-240V~ | 1,48 | 1 | 1,36 | 6,3 | 25 | 450 |
| EUROINOX 30/30 M-P | 102972220 | 1 x 220-240V~ | 0,72 | 0,45 | 0,6 | 3,2 | 12,5 | 450 |
| EUROINOX 40/30 M-P | 102972240 | 1 x 220-240V~ | 0,88 | 0,55 | 0,75 | 3,9 | 12,5 | 450 |
| EUROINOX 30/50 M-P | 102972260 | 1 x 220-240V~ | 0,88 | 0,55 | 0,75 | 3,9 | 12,5 | 450 |
| EUROINOX 40/50 M-P | 102972280 | 1 x 220-240V~ | 1,2 | 0,8 | 1,1 | 5,3 | 25 | 450 |
| EUROINOX 50/50 M-P | 102972300 | 1 x 220-240V~ | 1,48 | 1 | 1,36 | 6,3 | 25 | 450 |
| EUROINOX 25/80 M-P | 102972320 | 1 x 220-240V~ | 0,88 | 0,55 | 0,75 | 3,9 | 12,5 | 450 |
| EUROINOX 30/80 M-P | 102972340 | 1 x 220-240V~ | 1,2 | 0,75 | 1 | 5,3 | 25 | 450 |
| EUROINOX 40/80 M-P | 102972360 | 1 x 220-240V~ | 1,48 | 1 | 1,36 | 6,3 | 25 | 450 |

* NEW IE2 MOTOR

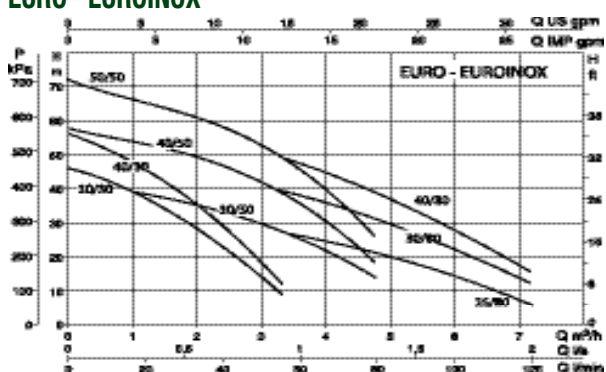
JET



JETINOX



EURO - EUROINOX



DAB PUMPS reserves the right to make modifications without notice

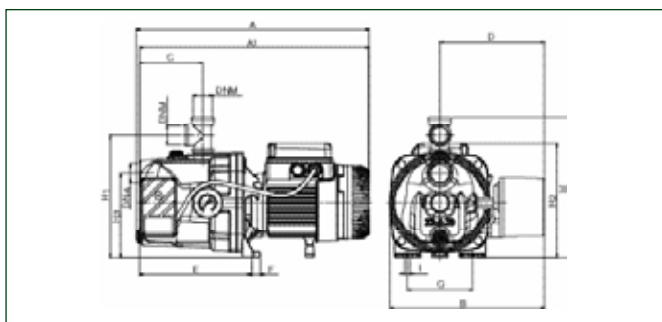
MULTISTAGE CENTRIFUGAL AND SELF-PRIMING PUMPS

JET - JET INOX / EURO - EUROINOX M-P

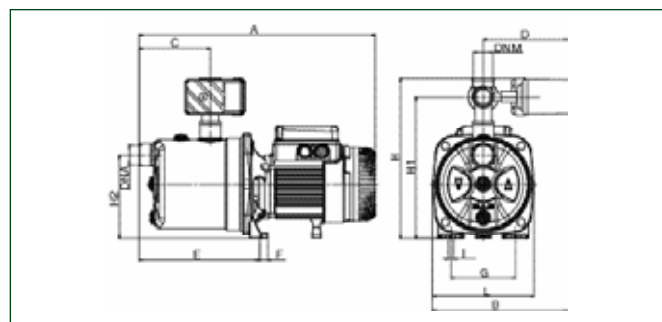
CENTRIFUGAL PUMPS FITTED

DIMENSIONS AND WEIGHTS

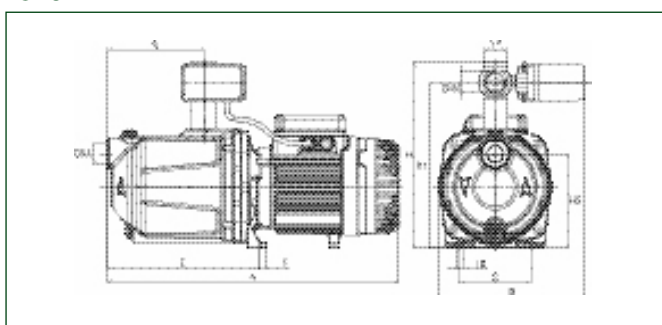
JET



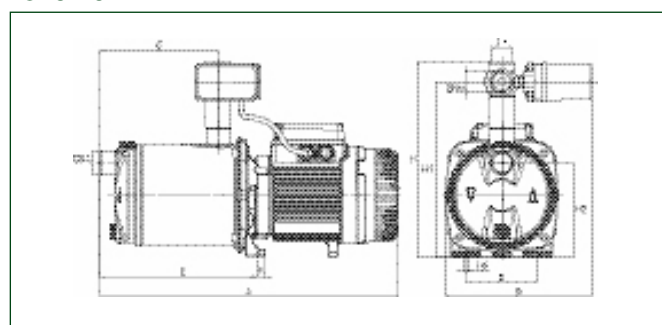
JETINOX



EURO



EUROINOX



| MODEL | A | A1 | B | C | D | E | F | G | IØ | H | H1 | H2 | H3 | I | DNA GAS | DNM GAS | PACKAGING DIMENSIONS | | | WEIGHT Kg | Q.TY x PALLET |
|--------------------|-----|-----|-----|-------|-----|-----|------|-----|----|-----|-----|-------|-----|----|---------|---------|----------------------|-----|-----|-----------|---------------|
| | | | | | | | | | | | | | | | | | L/A | L/B | H | | |
| JET 62 M-P | 395 | 390 | 263 | 108 | 177 | 192 | 14 | 111 | - | 239 | 209 | 193 | 144 | 9 | 1" | 1" | 440 | 295 | 235 | 11,9 | 24 |
| JET 82 M-P | 395 | 390 | 263 | 108 | 177 | 192 | 14 | 111 | - | 239 | 209 | 193 | 144 | 9 | 1" | 1" | 440 | 295 | 235 | 12,1 | 24 |
| JET 102 M-P | 414 | 390 | 263 | 108 | 177 | 192 | 14 | 111 | - | 239 | 209 | 203 | 144 | 9 | 1" | 1" | 440 | 295 | 235 | 13,9 | 24 |
| JET 112 M-P | 414 | 390 | 263 | 108 | 177 | 192 | 14 | 111 | - | 239 | 209 | 203 | 144 | 9 | 1" | 1" | 440 | 295 | 235 | 14,9 | 24 |
| JET 132 M-P | 414 | 390 | 263 | 108 | 177 | 192 | 14 | 111 | - | 239 | 209 | 203 | 144 | 9 | 1" | 1" | 440 | 295 | 235 | 14,9 | 24 |
| JET 200 M-P | 521 | - | 294 | 151 | - | 282 | 20 | 160 | 11 | 275 | 175 | - | - | 11 | 1 1/2" | 1 1/4" | 600 | 236 | 267 | 27,5 | 9 |
| JET 200 T-P | 521 | - | 294 | 151 | - | 282 | 20 | 160 | 11 | 275 | 175 | - | - | 11 | 1 1/2" | 1 1/4" | 600 | 236 | 267 | 28 | 9 |
| JET 300 M-P | 595 | - | 294 | 151 | - | 282 | 20 | 160 | 11 | 275 | 175 | - | - | 11 | 1 1/2" | 1 1/4" | 660 | 236 | 267 | 31,5 | 9 |
| JET 300 T-P | 521 | - | 294 | 151 | - | 282 | 20 | 160 | 11 | 275 | 175 | - | - | 11 | 1 1/2" | 1 1/4" | 600 | 236 | 267 | 30 | 9 |
| JET 151 M-P | 558 | - | 290 | 220 | - | 367 | 15 | 145 | 11 | 305 | 165 | - | - | 11 | 1 1/4" | 1" | 600 | 236 | 267 | 31,5 | 18 |
| JET 151 T-P | 558 | - | 290 | 220 | - | 367 | 15 | 145 | 11 | 305 | 165 | - | - | 11 | 1 1/4" | 1" | 600 | 236 | 267 | 33 | 18 |
| JET 251 M-P | 632 | - | 290 | 220 | - | 367 | 15 | 145 | 11 | 305 | 165 | - | - | 11 | 1 1/4" | 1" | 645 | 236 | 267 | 36 | 15 |
| JET 251 T-P | 558 | - | 290 | 220 | - | 367 | 15 | 145 | 11 | 305 | 165 | - | - | 11 | 1 1/4" | 1" | 600 | 236 | 267 | 34 | 15 |
| JETINOX 82 M-P | 406 | - | 232 | 122 | 145 | 207 | 14 | 111 | 9 | 276 | 244 | 144 | - | - | 1" | 1" | | | | 13,6 | 18 |
| JETINOX 102 M-P | 424 | - | 232 | 122 | 145 | 207 | 14 | 111 | 9 | 276 | 244 | 144 | - | - | 1" | 1" | | | | 14,8 | 18 |
| JETINOX 112 M-P | 424 | - | 232 | 122 | 145 | 207 | 14 | 111 | 9 | 276 | 244 | 144 | - | - | 1" | 1" | | | | 15,8 | 18 |
| JETINOX 132 M-P | 424 | - | 232 | 122 | 145 | 207 | 14 | 111 | 9 | 276 | 244 | 144 | - | - | 1" | 1" | | | | 15,8 | 18 |
| EURO 30/50 M-P | 378 | - | 226 | 94,5 | - | 180 | 13,5 | 111 | 9 | 281 | 250 | 143,5 | - | - | 1" | 1" | | | | 13,2 | 12 |
| EURO 40/50 M-P | 452 | - | 226 | 149,5 | - | 235 | 13,5 | 111 | 9 | 281 | 250 | 143,5 | - | - | 1" | 1" | | | | 17 | 12 |
| EURO 30/80 M-P | 452 | - | 226 | 149,5 | - | 235 | 13,5 | 111 | 9 | 281 | 250 | 143,5 | - | - | 1" | 1" | | | | 17 | 12 |
| EURO 40/80 M-P | 452 | - | 226 | 149,5 | - | 235 | 13,5 | 111 | 9 | 281 | 250 | 143,5 | - | - | 1" | 1" | | | | 17,7 | 12 |
| EUROINOX 30/30 M-P | 439 | - | 226 | 108 | - | 241 | 13,5 | 111 | 9 | 300 | 268 | 143 | - | - | 1" | 1" | | | | 15 | 12 |
| EUROINOX 40/30 M-P | 439 | - | 226 | 108 | - | 241 | 13,5 | 111 | 9 | 300 | 268 | 143 | - | - | 1" | 1" | | | | 15,5 | 12 |
| EUROINOX 30/50 M-P | 384 | - | 226 | 108 | - | 186 | 13,5 | 111 | 9 | 300 | 268 | 143 | - | - | 1" | 1" | | | | 11,4 | 12 |
| EUROINOX 40/50 M-P | 458 | - | 226 | 108 | - | 241 | 13,5 | 111 | 9 | 300 | 268 | 143 | - | - | 1" | 1" | | | | 14,5 | 12 |
| EUROINOX 50/50 M-P | 458 | - | 226 | 108 | - | 241 | 13,5 | 111 | 9 | 300 | 268 | 143 | - | - | 1" | 1" | | | | 17,5 | 12 |
| EUROINOX 25/80 M-P | 384 | - | 226 | 108 | - | 186 | 13,5 | 111 | 9 | 300 | 268 | 143 | - | - | 1" | 1" | | | | 11,4 | 12 |
| EUROINOX 30/80 M-P | 458 | - | 226 | 108 | - | 241 | 13,5 | 111 | 9 | 300 | 268 | 143 | - | - | 1" | 1" | | | | 14,5 | 12 |
| EUROINOX 40/80 M-P | 458 | - | 226 | 108 | - | 241 | 13,5 | 111 | 9 | 300 | 268 | 143 | - | - | 1" | 1" | | | | 17,5 | 12 |