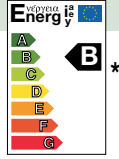


## VS WET ROTOR CIRCULATORS



## HOT WATER SYSTEMS

Pump for hot water circulation in hot water domestic systems of the closed and pressurised or open tank type. Also suitable for solar power systems. Single body formed of the bronze hydraulic unit. Die-cast aluminium motor casing. Technopolymer impeller. Ceramic driving shaft mounted on graphite brushings lubricated by the pumped liquid itself. Stainless steel protective rotor sleeve, stator sleeve and closing flange. Ceramic thrust bearing, E.P.D.M. "O" rings. The two-pole or four-pole asynchronous motor with wet rotor is self-protected for resistance. **No overload protection required.**

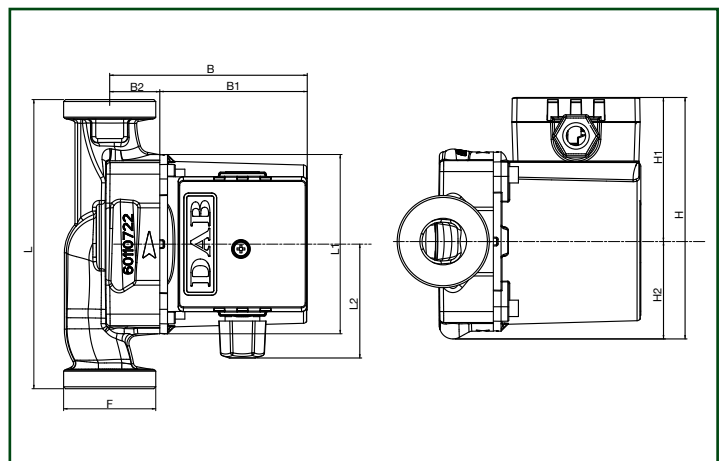
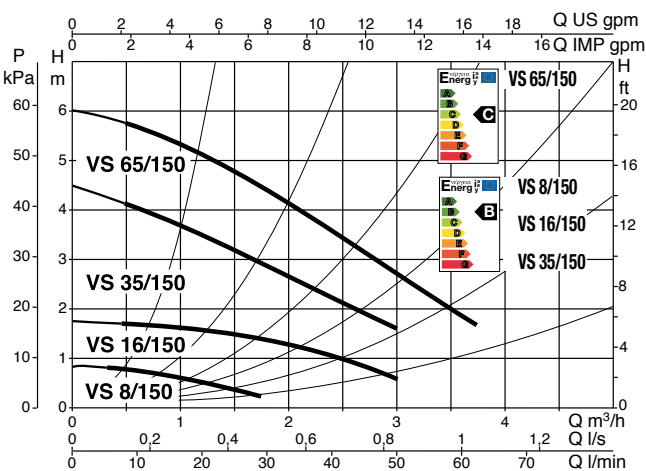
**Operating range:** from 0.5 to 3,6 m<sup>3</sup>/h with head up to 6 metres.  
**Liquid temperature range:** from -10°C to +85°C (for sanitary use) +110°C (for others use).  
**Pumped liquid characteristics:** clean, free from solids and mineral oils, non viscous, chemically neutral, close to the characteristics of water (max 30% glycol).  
**Maximum working pressure:** 10 bar (1000 kPa).  
**Protection level:** IP 44.  
**Insulation class:** F.  
**Cable grommet:** PG 11.  
**Installation:** with motor axis horizontal.

CIRCULATORS AND IN-LINE PUMPS

\* see performance curves

## TECHNICAL DATA

MODEL	CODE	CENTRE DISTANCE mm	ELECTRICAL DATA						UNIONS ON REQUEST		MINIMUM HEAD PRESSURE
			VOLTAGE 50 Hz	n r.p.m. 1/min	P1 MAX W	In A	CAPACITOR		STANDARDIZED	SPECIAL	
							µF	Vc			
VS 8/150	60112968	150	1 x 230V ~	1340	22	0,14	1,5	450	BRASS 1/2" F - 3/4" F - 1" F COPPER d22 e d28	t° +90°C m.c.a. 1,5	
VS 16/150	60115297	150	1 x 230V ~	2784	41	0,19	1,5	450	BRASS 1/2" F - 3/4" F - 1" F COPPER d22 e d28	t° +90°C m.c.a. 1,5	
VS 35/150	60115298	150	1 x 230V ~	2470	55	0,24	1,7	450	BRASS 1/2" F - 3/4" F - 1" F COPPER d22 e d28	t° +90°C m.c.a. 1,5	
VS 65/150	60115299	150	1 x 230V ~	2317	77	0,34	2	450	BRASS 1/2" F - 3/4" F - 1" F COPPER d22 e d28	t° +90°C m.c.a. 1,5	



MODEL	L	L1	L2	B	B1	B2	H	H1	H2	F GAS	PACKAGING DIMENSIONS			WEIGHT KG	Q.TY X PALLET
											L	B	H		
VSA 35/130	150	98	60	104	78	26	124	75	49	11/2"	134	188	150	2,6	180
VSA 35/130 1/2"	150	98	60	104	78	26	124	75	49	11/2"	134	188	150	2,6	180
VSA 35/180	150	98	60	104	78	26	124	75	49	11/2"	134	188	150	2,6	180
VSA 35/180 X	150	98	60	104	78	26	124	75	49	11/2"	134	188	150	2,6	180