

# VX "VORTEX"

## Submersible pumps

► for sewage water



Hoogeindsestraat 5  
NL - 5447 PD Rijkevoort  
Nederland  
T : +31 (0) 485 - 371318  
F : +31 (0) 485 - 371918  
info@pompentechniek.nl  
www.pompentechniek.nl



### PERFORMANCE RANGE

- Flow rate up to **500 l/min** (30 m<sup>3</sup>/h)
- Head up to **15 m**

### APPLICATION LIMITS

- **5 m** maximum immersion depth
- Maximum liquid temperature **+40 °C**
- Solids passage:
  - up to **Ø 40 mm** for VX8-10-15/35
  - up to **Ø 50 mm** for VX8-10-15/50
- Minimum immersion depth for continuous service:
  - **290 mm** for VX8-10-15/35
  - **320 mm** for VX8-10-15/50

### CONSTRUCTION AND SAFETY STANDARDS

- Complete with **5 m** long power cable
- VXm versions complete with float switch

EN 60335-1  
IEC 60335-1  
CEI 61-150

EN 60034-1  
IEC 60034-1  
CEI 2-3



### CERTIFICATIONS



### INSTALLATION AND USE

Suitable for use in domestic, civil and industrial applications where the water, such as **groundwater, surface water and sewage water**, contains suspended solids up to Ø 50 mm.

They are suitable for use in applications such as for draining flooded areas such as cellars, underground car parks, car washes, for emptying cesspools and for sewage disposal.

These pumps distinguish themselves for their reliability, which can be best appreciated under automatic operating conditions in fixed installations.

### PATENTS - TRADE MARKS - MODELS

- Patent pending n° BO2008A000494, BO2008A000496

### OPTIONALS AVAILABLE ON REQUEST

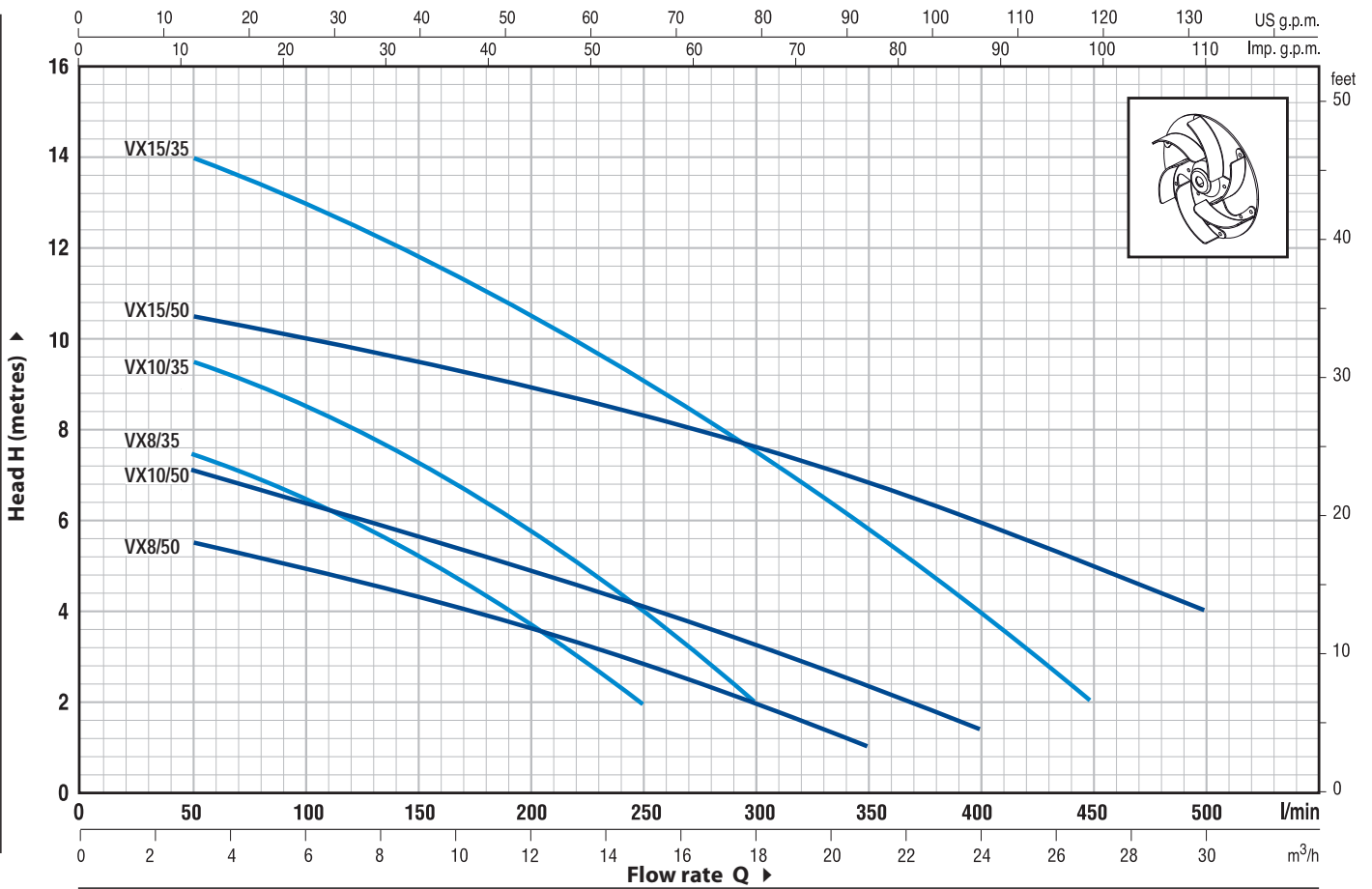
- Pumps with a **10 m** long power cable
  - N.B. Standard EN 60335-2-41 states that the power cable must be 10 m long for outdoor applications
- Single-phase pumps without float switch
- Other voltages or 60 Hz frequency

### GUARANTEE

2 years subject to terms and conditions

**CHARACTERISTIC CURVES AND PERFORMANCE DATA**

**50 Hz n= 2900 1/min**

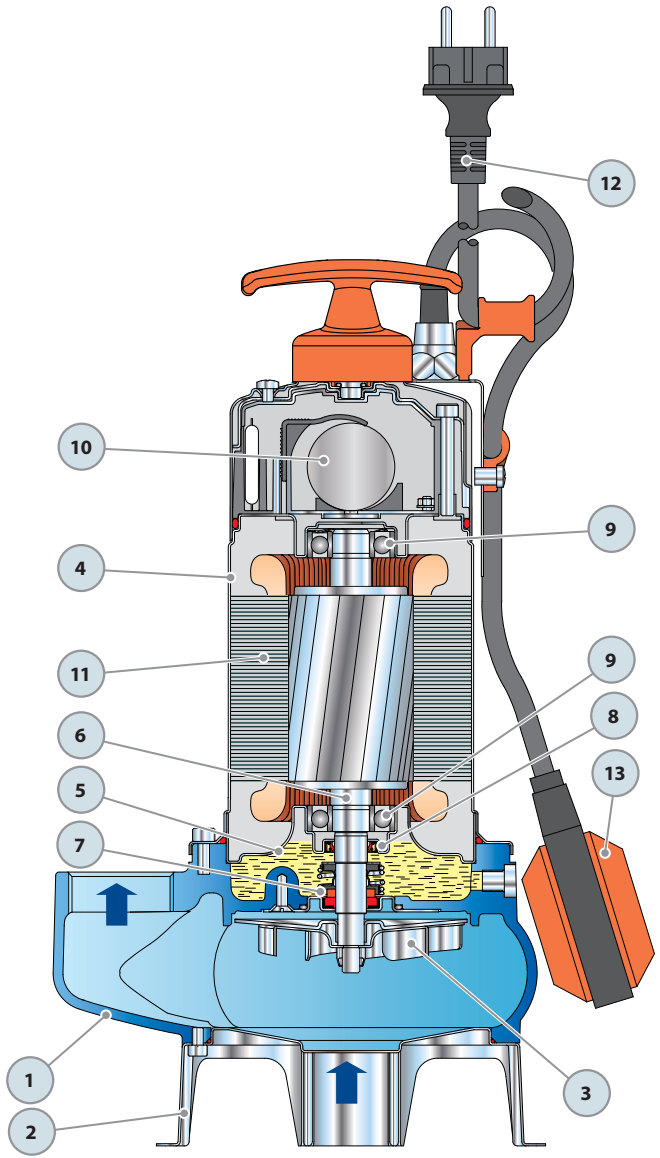


MODEL		POWER		Q	Flow rate														
Single-phase	Three-phase	kW	HP		m <sup>3</sup> /h	0	3	6	9	12	15	18	21	24	27	30			
VXm 8/35	-	0.55	0.75	H metres	0	50	100	150	200	250	300	350	400	450	500				
VXm 10/35	VX 10/35	0.75	1		8.4	7.5	6.5	5.2	3.7	2									
VXm 15/35	VX 15/35	1.1	1.5		10	9.5	8.5	7.2	5.8	4	2								
VXm 8/50	-	0.55	0.75		15	14	13	11.8	10.5	9	7.5	6	4	2					
VXm 10/50	VX 10/50	0.75	1		6	5.5	5	4.4	3.6	2.8	2	1							
VXm 15/50	VX 15/50	1.1	1.5		7.5	7	6.5	5.8	5	4	3.2	2.4	1.5						
					11	10.5	10	9.5	9	8.3	7.5	6.8	6	5	4				

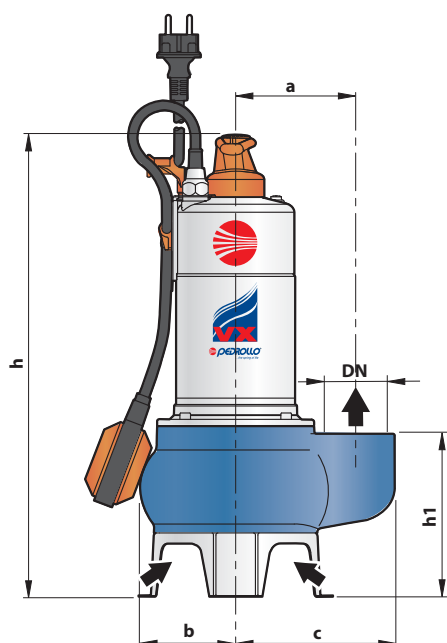
Q = Flow rate H = Total manometric head

Tolerance of characteristic curves in compliance with EN ISO 9906 App. A.

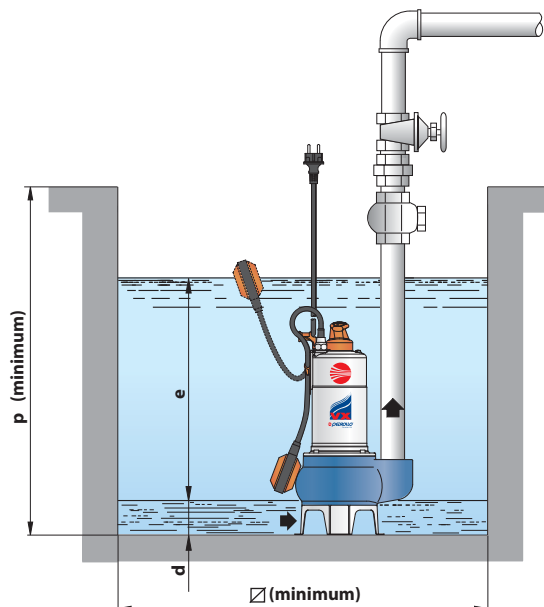
POS.	COMPONENT	CONSTRUCTION CHARACTERISTICS	
1	PUMP BODY	Cast iron, with threaded port in compliance with ISO 228/1	
2	BASE	Stainless steel AISI 304	
3	IMPELLER	Stainless steel AISI 304 VORTEX type	
4	MOTOR CASING	Stainless steel AISI 304	
5	MOTOR CASING PLATE	Stainless steel AISI 304	
6	MOTOR SHAFT	Stainless steel EN 10088-3 - 1.4104	
7	<b>SHAFT WITH DOUBLE SEAL AND OIL CHAMBER</b>		
	<i>Seal</i>	<i>Shaft</i>	<i>Materials</i>
	<i>Model</i>	<i>Diameter</i>	<i>Stationary ring</i> <i>Rotational ring</i> <i>Elastomer</i>
	MG1-14 SIC	Ø 14 mm	Ceramic    Silicon carbide    NBR
8	LIP SEAL	Ø 15 x Ø 24 x H 5 mm for VX 8-10/35-50 Ø 16 x Ø 24 x H 5 mm for VX 15/35-50	
9	BEARINGS	6203 ZZ / 6203 ZZ	
10	<b>CAPACITOR</b>		
	<i>Pump</i>	<i>Capacitance</i>	
	<i>Single-phase</i>	<i>(230 V or 240 V)</i>	<i>(110 V)</i>
	VXm 8/35		
	VXm 8/50	20 µF 450 VL	30 µF 250 VL
	VXm 10/35		
	VXm 10/50		
	VXm 15/35	25 µF 450 VL	-
	VXm 15/50		
11	<b>ELECTRIC MOTOR</b>		
	<ul style="list-style-type: none"> <li>- Single-phase 230 V - 50 Hz with thermal overload protector built-in to the winding</li> <li>- Three-phase 400 V - 50 Hz</li> <li>- Insulation: F class</li> <li>- Protection: IP 68</li> </ul>		
12	<b>POWER CABLE</b>		
	5 metre long "H07 RN-F" cable (with Schuko plug on single-phase versions only)		
13	<b>FLOAT SWITCH</b>		
	(only for single-phase versions)		



## DIMENSIONS AND WEIGHT



Typical installation



MODEL		PORT DN	solids passage	DIMENSIONS mm									kg	
Single-phase	Three-phase			a	b	c	h	h1	d	e	p	Ø	1~	3~
VXm 8/35	-	1½"	Ø 40 mm	105	92	136	408	125	50	variable	500	500	12.4	-
VXm 10/35	VX 10/35					143	429	130					13.3	12.1
VXm 15/35	VX 15/35					150	437	153					16.3	15.0
VXm 8/50	-	2"	Ø 50 mm	110	97	157	458	159	60	variable	500	500	12.9	-
VXm 10/50	VX 10/50					17.0	15.6							
VXm 15/50	VX 15/50					17.0	15.6							

## ABSORPTION

MODEL	VOLTAGE (single-phase)		
	230 V	240 V	110 V
Single-phase	230 V	240 V	110 V
VXm 8/35	3.3 A	3.3 A	7.6 A
VXm 10/35	5.0 A	5.0 A	11.5 A
VXm 15/35	6.7 A	6.7 A	-
VXm 8/50	3.5 A	3.5 A	8.0 A
VXm 10/50	5.0 A	5.0 A	11.5 A
VXm 15/50	7.1 A	7.1 A	-

MODEL	VOLTAGE (three-phase)			
	230 V	400 V	240 V	415 V
Three-phase	230 V	400 V	240 V	415 V
VX 10/35	3.6 A	2.1 A	3.6 A	2.1 A
VX 15/35	5.4 A	3.1 A	5.4 A	3.1 A
VX 10/50	3.6 A	2.1 A	3.6 A	2.1 A
VX 15/50	5.4 A	3.1 A	5.4 A	3.1 A

## PALLETIZATION

MODEL		GROUPAGE			CONTAINER				
Single-phase	Three-phase	n° pumps	H (mm)	kg		n° pumps	H (mm)	kg	
				1~	3~			1~	3~
VXm 8/35	-	60	1520	761	-	80	1980	1009	-
VXm 10/35	VX 10/35	60	1520	815	744	80	1980	1081	987
VXm 15/35	VX 15/35	45	1574	748	692	60	2052	992	917
VXm 8/50	-	60	1520	791	-	80	1980	1049	-
VXm 10/50	VX 10/50	60	1520	851	744	80	1980	1129	986
VXm 15/50	VX 15/50	45	1574	780	718	60	2052	1034	952

