

CD100M Dri-Prime® Pump

CD100M

The Godwin Dri-Prime® CD100M pump is an extremely powerful yet compact pump with flow capabilities to 230 m³/hr and discharge heads to 38 metres.

The CD100M features the unique Godwin high pressure oil bath mechanical seal design. This allows for dry running for prolonged periods while automatically priming and repriming. Able to perform in the toughest conditions, the CD100M can handle solids up to 45 mm in diameter. This makes it an extremely effective pump, suitable for both slurry and clean water applications. The powerful CD100M has proven itself a pump of choice for sewer bypass, general dewatering and many other applications.



Features

- Fully automatic priming from dry to 8.5 metres suction lift.
- Godwin Dri-Prime® is a continuously operated Venturi air ejector priming device which requires no periodic adjustment or control.
- Extensive application flexibility. It will handle sewage, slurries and liquids with solids up to 45 mm in diameter.
- Dry-running high pressure oil bath mechanical seal, with high abrasion resistant silicon carbide faces.
- A Close-coupled centrifugal pump with Godwin Dri-Prime® system mounted to a diesel engine or electric drive.
- All cast iron construction (stainless steel construction option available) with cast steel impeller.
- Also available as hushpac, bareshaft pumpend or highway trailer.
- Standard engine Perkins 403D-15. Also available with Lister TR2

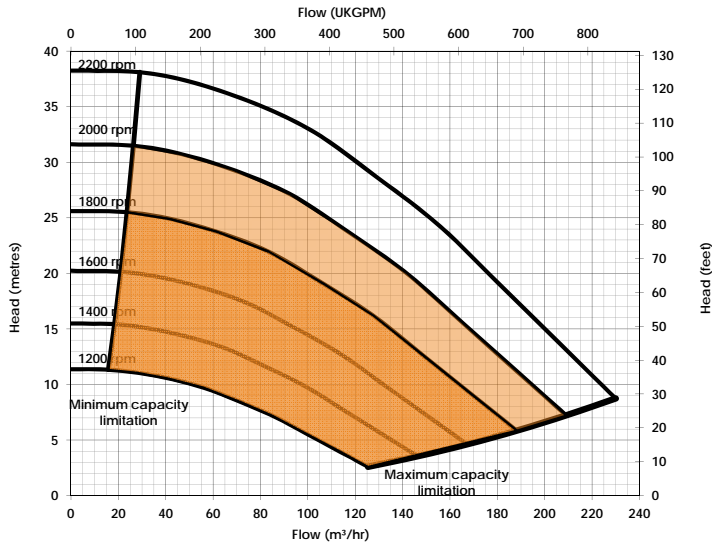
Specifications

Suction connection	100 mm (4" BS10 Table 'D')
Delivery connection	100 mm (4" BS10 Table 'D')
Max capacity	230 m ³ /hr
Max Head	38 metres
Max Solids handling	45 mm
Max Impeller diameter	230 mm
Max operating temp	80 °C
Max working pressure	3.8 bar
Max suction pressure	2.8 bar
Max casing pressure	5.7 bar
Max operating speed	2200 rpm



Hoogindsestraat 5
NL - 5447 PD Rijkevoort
Nederland
T : +31 (0) 485 - 371318
F : +31 (0) 485 - 371918
info@pompentechniek.nl
www.pompentechniek.nl

Performance Curve



Materials

Pump casing & suction cover	Cast iron BS1452:1990 Grade 220
Wearplates	Cast iron to BS1452 Gr220
Pump Shaft	Carbon steel BS970 080M40
Impeller	Cast Steel BS3100 A5 Hardness to 200 HB Brinell
Non-return Valve body	Cast Iron
Mechanical Seal Faces	Silicon carbide vs silicon carbide

Engine option 1

Perkins, 403D-15, 16.5 kW @ 2000 rpm

Impeller diameter 230 mm

Suction Lift Table

Total Suction Head (metres)	Total Delivery Head (metres)				
	3	9	13	17	20
	Output (m³/hr)				
3.0	209	180	163	139	113
4.6	197	168	151	128	93
6.1	145	137	128	110	81
7.6	93	87	81	70	46

Fuel capacity (Full) 170 litres, (Usable) 140 litres

Fuel consumption @ 2000 rpm BEP 4 litres/hour

Weight: (Dry) 885 kg, (Wet) 1,050 kg

Dimensions: (L) 1,800 x (W) 930 x (H) 1,389 mm

Engine option 2

Lister, TR2, 13.1 kW @ 1800 rpm

Impeller diameter 230 mm

Suction Lift Table

Total Suction Head (metres)	Total Delivery Head (metres)				
	2	8	11	14	17
	Output (m³/hr)				
3.0	188	162	146	125	101
4.6	178	152	136	115	84
6.1	131	123	115	99	73
7.6	84	78	73	63	42

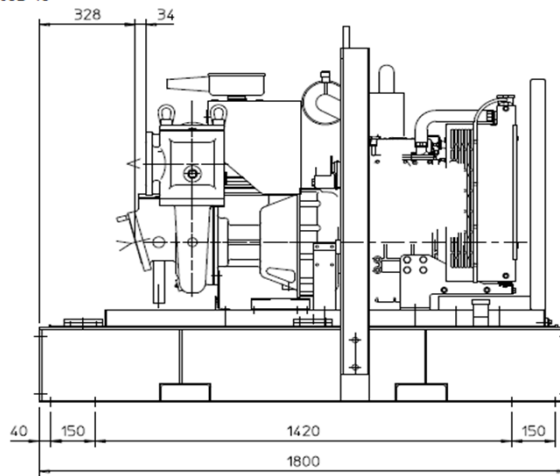
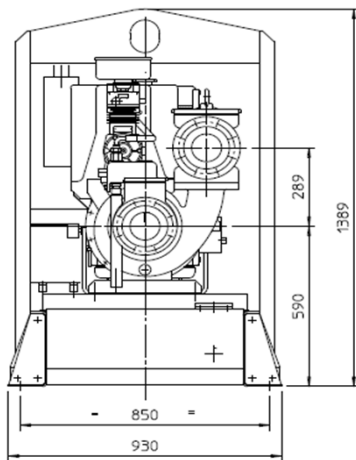
Fuel capacity (Full) 72 litres, (Usable) 58 litres

Fuel consumption @ 1800 rpm BEP 3 litres/hour

Weight: (Dry) 885 kg, (Wet) 950 kg

Dimensions: (L) 1,300 x (W) 680 x (H) 1,900 mm

CD100M PERKINS 403D-15



Performance data provided in tables is based on water tests at sea level and 20°C ambient.

All information is approximate and for general guidance only.

Please contact the factory or office for further details.



Specifications and illustrations are subject to revision without notice. Xylem Dewatering Solutions is not liable for any incompleteness or inaccuracies. Xylem Dewatering Solutions is not liable for any consequential, incidental or indirect damages relating to these specifications or their use.

Assessed to ISO 9001:2008 Certificate N° 1027