

Aquastream – Mixed Flow Pumps

Jansen

POMPEN- & WATERTECHNIEK

Hoogeindsestraat 5
NL - 5447 PD Rijkevoort
Nederland
T : +31 (0) 485 - 371318
F : +31 (0) 485 - 371918
info@pompentechniek.nl
www.pompentechniek.nl



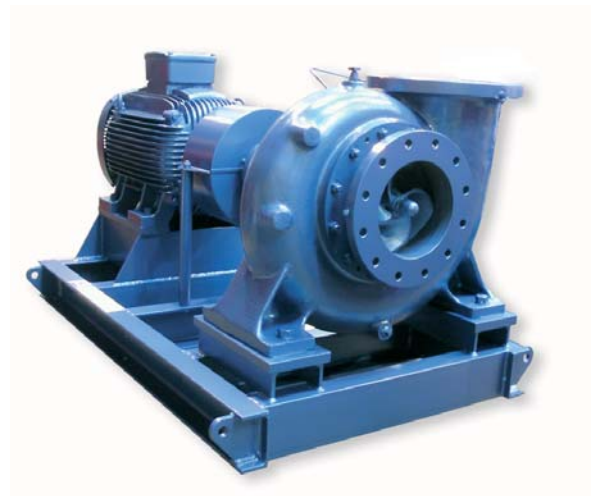
The success of the **high efficiency mixed flow pump** is based on its ability to produce large flow rates at low to medium heads. The specially developed hydraulic design produces **efficiency up to 89%** depending on the size. For outright performance and reduced running costs, the Aquastream is clearly in a class of its own.

This range is used in a wide range of industrial and environmental applications and can be used on either **clean or turbid water**. The mixed flow impellers are **cut to each duty point to minimise the motor power used**.

The **flexibility does not stop there** as these units can be supplied in horizontal, vertical open shaft or vertical direct mounted arrangement. Also, the Aquastream pump can be coupled to either an electric motor or diesel engine drives.

Typical Applications:

- Circulating duties
- Water boosting
- Irrigation
- Fish farms
- Many other general service applications for both clean and slightly contaminated non-corrosive liquids



SPP PUMPS

Jansen Pompentechniek T: +31(0)485-371318 E: info@pompentechniek.nl

Specifications

Pumps Models:	12
Discharge Range Sizes:	200mm to 650mm
Temperature:	90°C maximum -10°C minimum
Maximum Capacity:	1,350l/s
Speed:	Up to 1,450 rpm (depending on pump size)
Maximum Differential Head:	28m
Electricity Supply:	50 and 60 Hz
Operating Pressure:	3.6 bar maximum
Sealing Options:	Soft-packed or mechanical seal

Materials of Construction

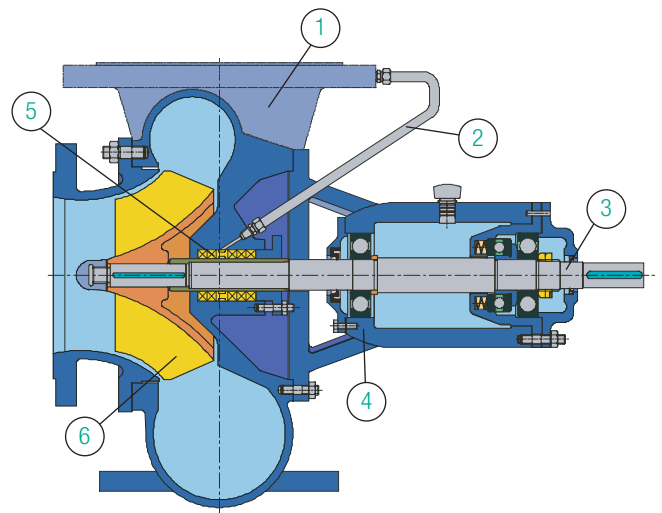
Casing	Cast iron
Impeller	Cast iron/bronze/stainless steel
Shaft	High tensile steel/stainless steel
Shaft Sleeve	Stainless steel
Lantern Ring	Bronze
Sealing Options	Soft packed or mechanical seal

Technical Design Benefits

Aquastream can be put to work efficiently in a wide range of industrial and environmental applications.

It can be used for clean or turbid water (for which it is particularly suited) and is therefore an excellent choice for irrigation and drainage schemes when coupled to a low speed motor or diesel engine.

An important feature is the semi-open impeller design for efficient handling of liquids containing solid particles.



Design Features

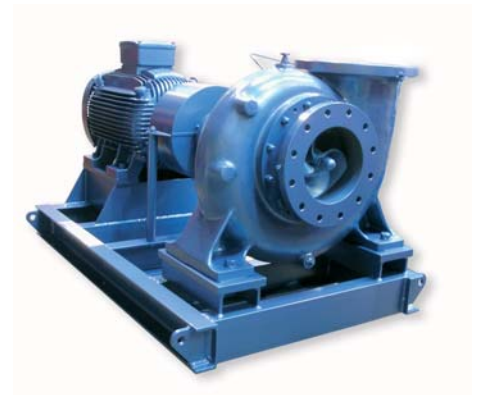
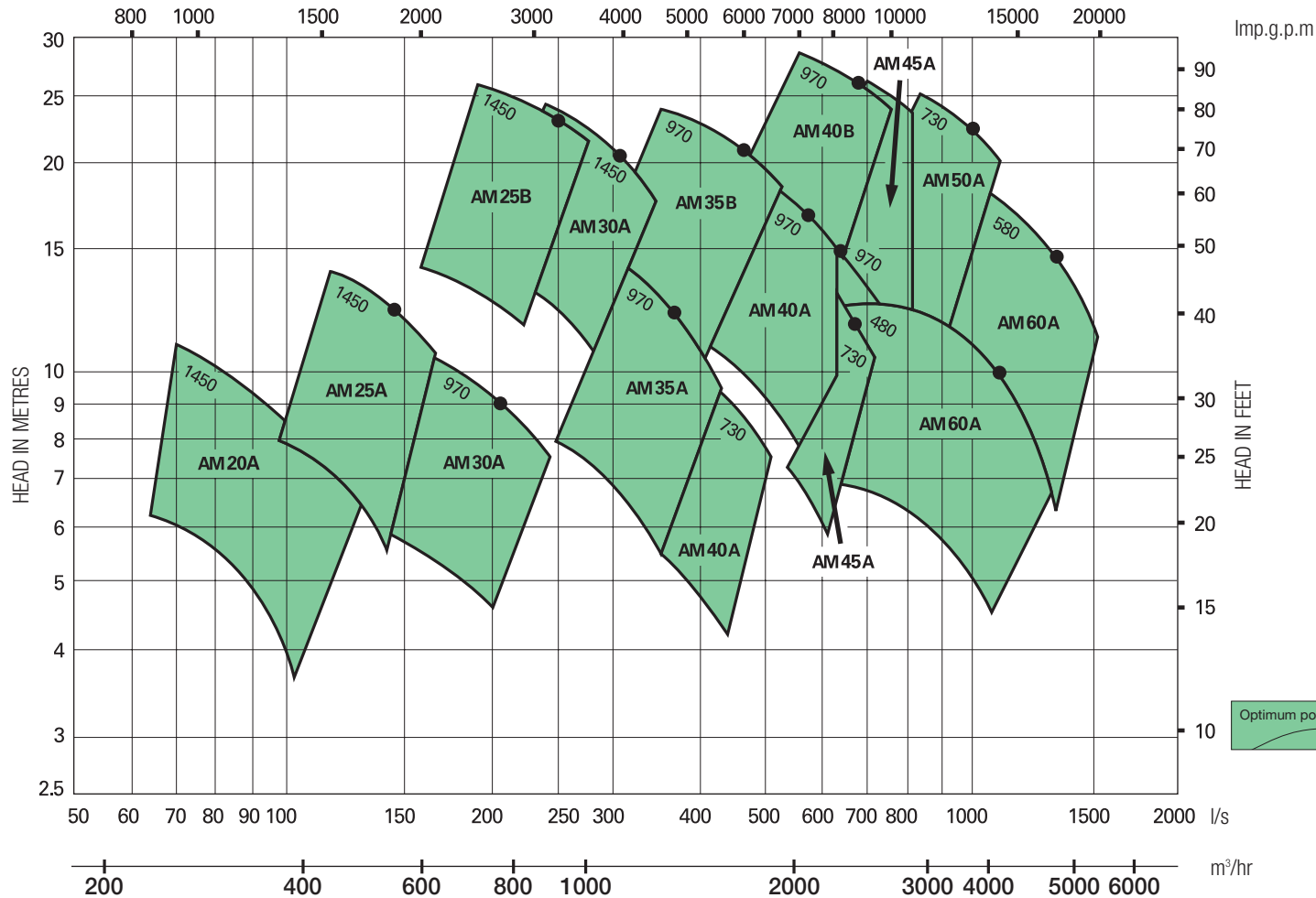
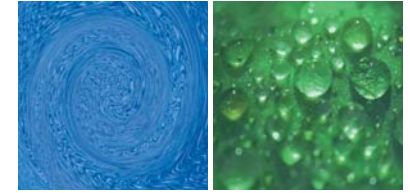
- 1 Rugged cast iron volute with integral cast feet to withstand tough operating conditions
- 2 Proven, self-lubricating system with gland flushing pumped by liquid piped from the discharge branch
- 3 Substantial shaft/bearing arrangement with shaft carried in robust, oil-lubricated thrust and journal ball bearings
- 4 Cast iron bearing housing, incorporating oil reservoir, is secured direct to pump casing
- 5 For proper shaft protection, sealing is by soft packed gland with replaceable stainless steel shaft sleeve
- 6 The specially designed mixed flow impeller will handle solid particles up to 70mm, depending on pump model

Wide Range of Sizes

- An excellent range of pump sizes are available – all offered with priming arrangements varying from simple manual to fully automatic
- The pumps can be supplied for both horizontal and vertical mode
- When used vertically, this can be either open shaft or direct coupled to the motor of your choice



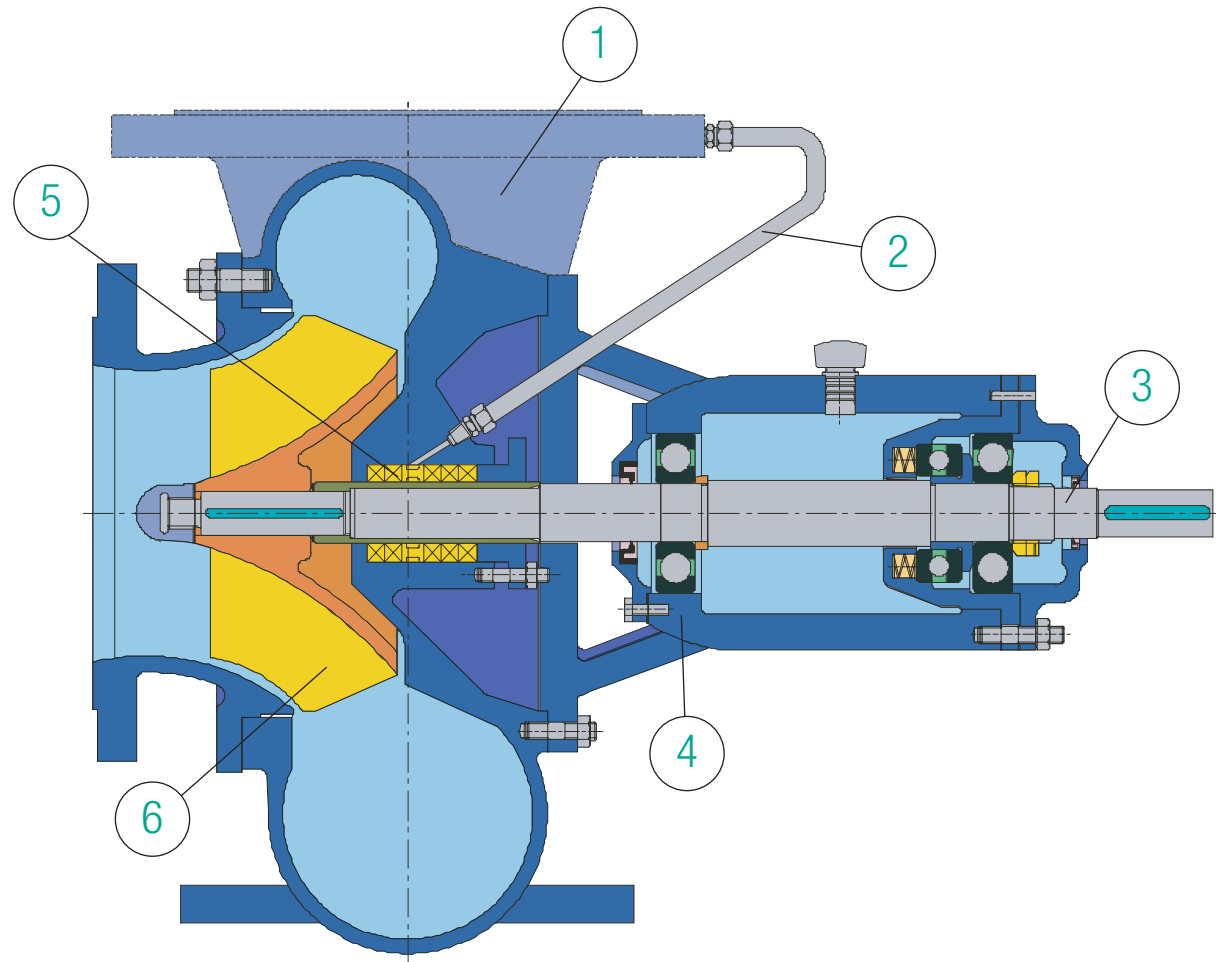
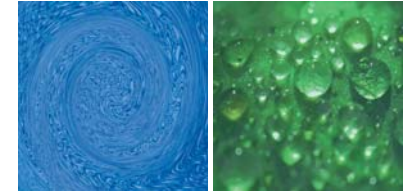
Aquastream - Mixed Flow Pumps



- Suitable for both clean and turbid water applications
- Various material options available
- Impellers cut to duty point
- Interchangeability of hydraulic components

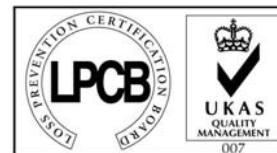
SPP PUMPS

Aquastream - Mixed Flow Pumps

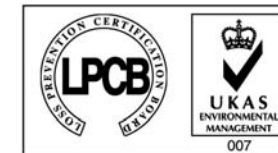


Construction

- 1 Rugged cast iron volute with integral cast feet to withstand tough operating conditions
- 2 Proven, self-lubricating system with gland flushing pumped by liquid piped from the discharge branch
- 3 Substantial shaft/bearing arrangement with shaft carried in robust, oil-lubricated thrust and journal ball bearings
- 4 Cast iron bearing housing, incorporating oil reservoir, is secured direct to pump casing
- 5 For proper shaft protection, sealing is by soft packed gland with replaceable stainless steel shaft sleeve
- 6 The specially designed mixed flow impeller will handle solid particles up to 70mm, depending on pump model



Assessed to ISO 9001:2000
Certificate No. 111



Certificate number: EMS111
Issue 1