



Autoprime

HYDRAULIC SUBMERSIBLE

Drawing No: **DN28425**
Revision No: **1**
Date Issued: **28/07/2008**

Pump **S2T-2**
Suction size **1 1/2" 125#**
Discharge size **2" NPT F**

S2T-2

SPECIFICATIONS	
Max. Flow rate	42m ³ /h
Max. Discharge head	28m
Weight	DI - 11 kg or AL - 7.7 kg
Height	340mm
Max. diameter	238 mm
Max. solids size	38 mm
Hose port	3/8" SAE (O Ring)
Suction flange	1 1/2" 125#
Discharge port	2" NPT F
Pump casing	Ductile Iron
Impeller	Ductile Iron
Wear ring &/or Plate	N/A
Shaft	Heat Treated Steel Alloy
Shaft seal - Standard	Carbon Ceramic
Elastomers - Standard	Buna (N)
Hydraulic Oil	214-320 s.s.u @ 64 Deg. C
Input Flow	19 l/m Max
Operating pressure	172 bar Max

2" and 3" pump ends (except S3VHL) are fitted with hydraulic connections only (not pig tails)



Hoogeindsestraat 5
NL - 5447 PD Rijkevoort
Nederland
T : +31 (0) 485 - 371318
F : +31 (0) 485 - 371918
info@pompentechniek.nl
www.pompentechniek.nl



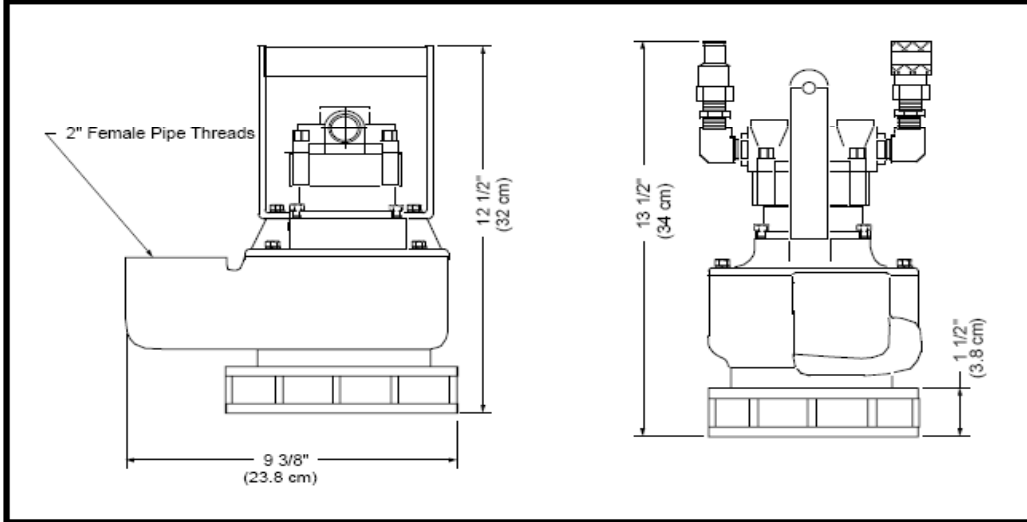
Autoprime

HYDRAULIC SUBMERSIBLE

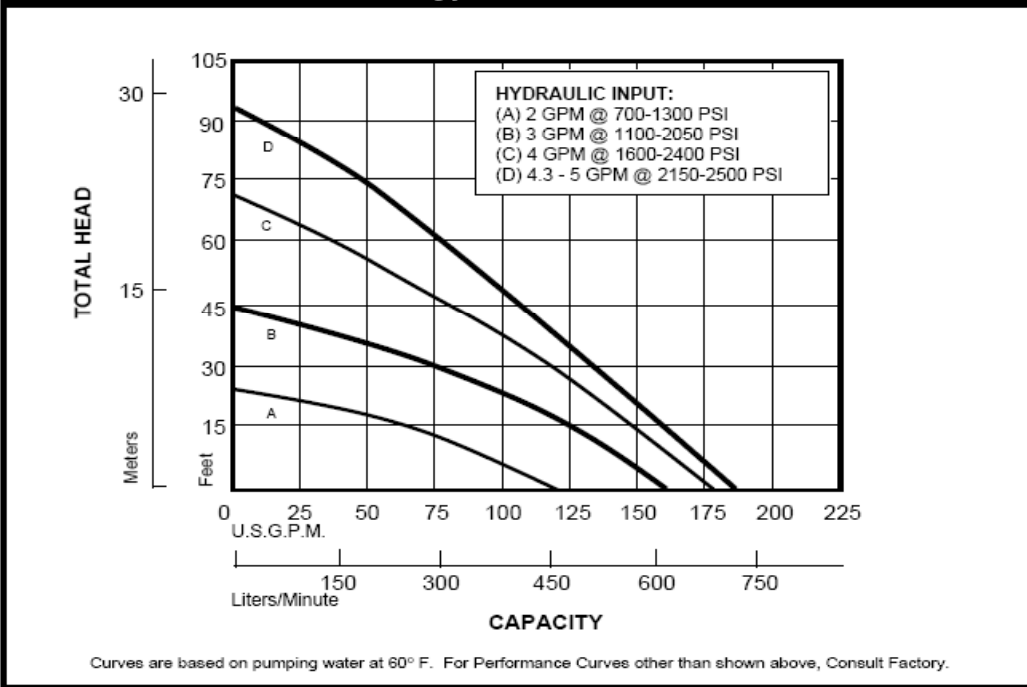
Drawing No: **DN28425**
 Revision No: **1**
 Date Issued: **28/07/2008**

Pump **S2T-2**
 Suction size **1 1/2" 125#**
 Discharge size **2" NPT F**

Model S2T-2 Overall Dimensions



S2T-2 Typical Performance





Autoprime

HYDRAULIC SUBMERSIBLE

Drawing No: **DN28426**
Revision No: **1**
Date Issued: **28/07/2008**

Pump **S2TC-2**
Suction size **1 1/2" 125#**
Discharge size **2" NPT F**

S2TC-2

SPECIFICATIONS	
Max. Flow rate	210 GPM (790 LPM)
Max. Discharge head	125 Feet (37 M)
Weight	11 kg
Height	330 mm
Max. diameter	240 mm
Max. solids size	25 mm
Hose port	3/8" SAE (O Ring)
Suction flange	1 1/2" 125#
Discharge port	2" NPT F
Pump casing	Aluminium
Impeller	Ductile Iron
Wear ring &/or Plate	N/A
Shaft	Heat Treated Steel Alloy
Shaft seal - Standard	Carbon Ceramic
Elastomers - Standard	Buna (N)
Hydraulic Oil	214-320 s.s.u @ 64 Deg. C
Input Flow	19 l/m Max
Operating pressure	172 bar Max

2" and 3" pump ends (except S3VHL) are fitted with hydraulic connections only (not pig tails)



Hoogeindsestraat 5
NL - 5447 PD Rijkevoort
Nederland
T : +31 (0) 485 - 371318
F : +31 (0) 485 - 371918
info@pompentechniek.nl
www.pompentechniek.nl



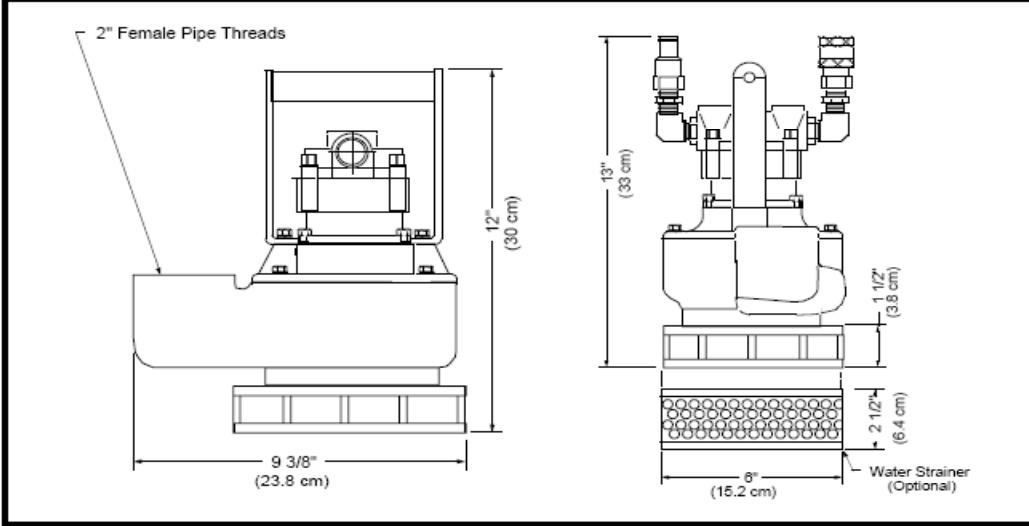
Autoprime

HYDRAULIC SUBMERSIBLE

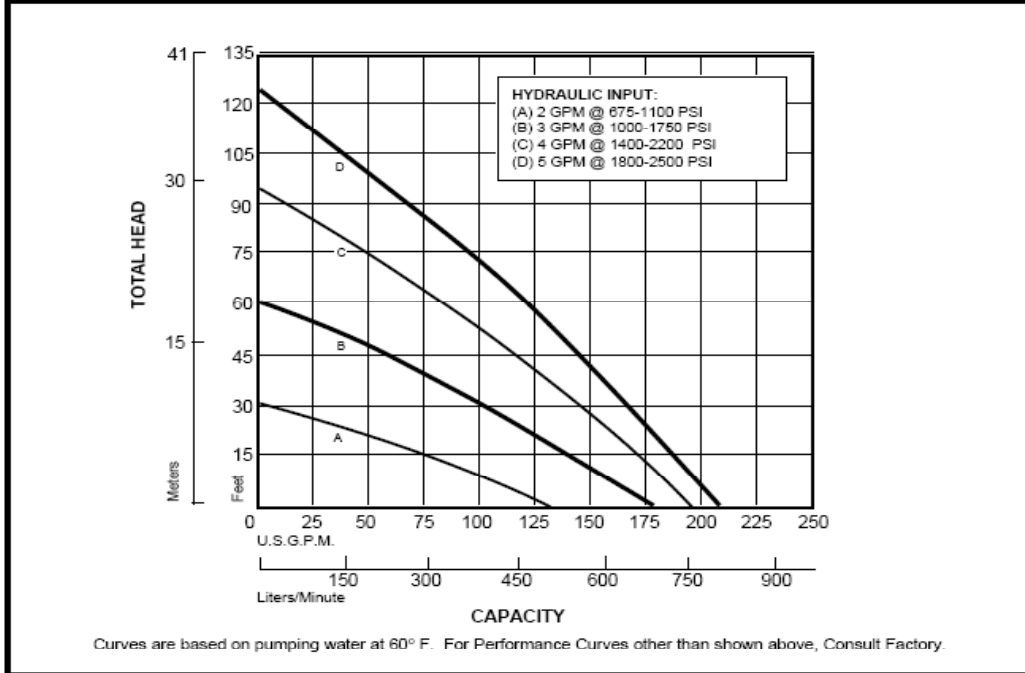
Drawing No: **DN28426**
 Revision No: **1**
 Date Issued: **28/07/2008**

Pump **S2TC-2**
 Suction size **1 1/2" 125#**
 Discharge size **2" NPT F**

Model S2TC-2 Overall Dimensions



S2TC-2 Typical Performance





Autoprime

HYDRAULIC SUBMERSIBLE

Drawing No: **DN28427**
Revision No: **1**
Date Issued: **28/07/2008**

Pump **S3T**
Suction size **3" 125# ASA**
Discharge size **3" NPT F**

S3T

SPECIFICATIONS	
Max. Flow rate	88m ³ /h
Max. Discharge head	23m
Weight	DI - 22 kg or AL - 11 kg
Height	360mm
Max. diameter	300 mm
Max. solids size	63 mm
Hose port	1/2" NPT F
Suction flange	3" 125# ASA
Discharge port	3" NPT F
Pump casing	Aluminium
Impeller	Stainless Steel
Wear ring &/or Plate	Ductile Iron
Shaft	Plated 4140 Steel
Shaft seal - Standard	Carbon Ceramic
Elastomers - Standard	Buna (N)
Hydraulic Oil	214-320 s.s.u @ 64 Deg. C
Input Flow	30 l/m Max
Operating pressure	172 bar Max

2" and 3" pump ends (except S3VHL) are fitted with hydraulic connections only (not pig tails)



Hoogeindsestraat 5
NL - 5447 PD Rijkevoort
Nederland
T : +31 (0) 485 - 371318
F : +31 (0) 485 - 371918
info@pompechniek.nl
www.pompechniek.nl



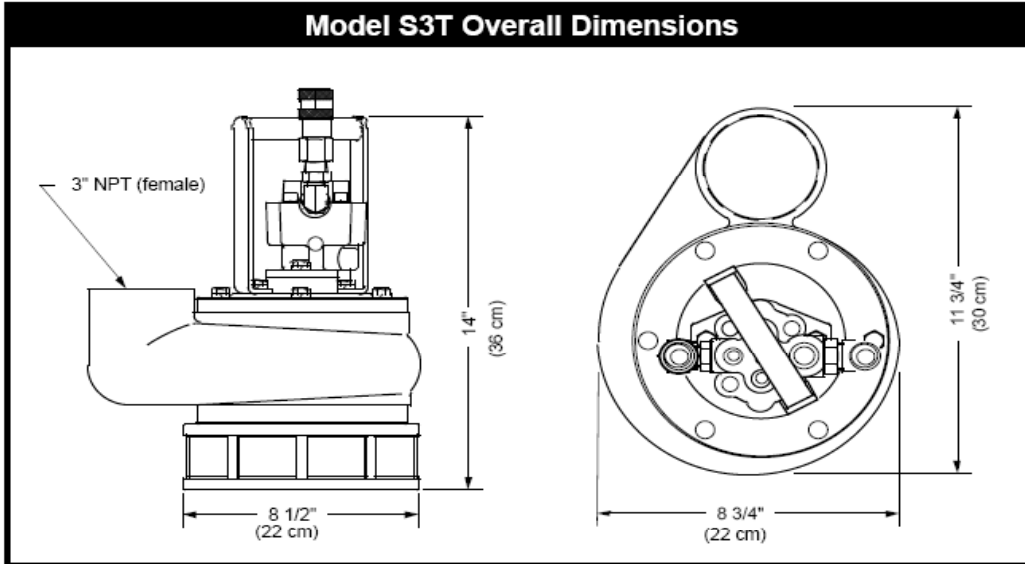
Autoprime

HYDRAULIC SUBMERSIBLE

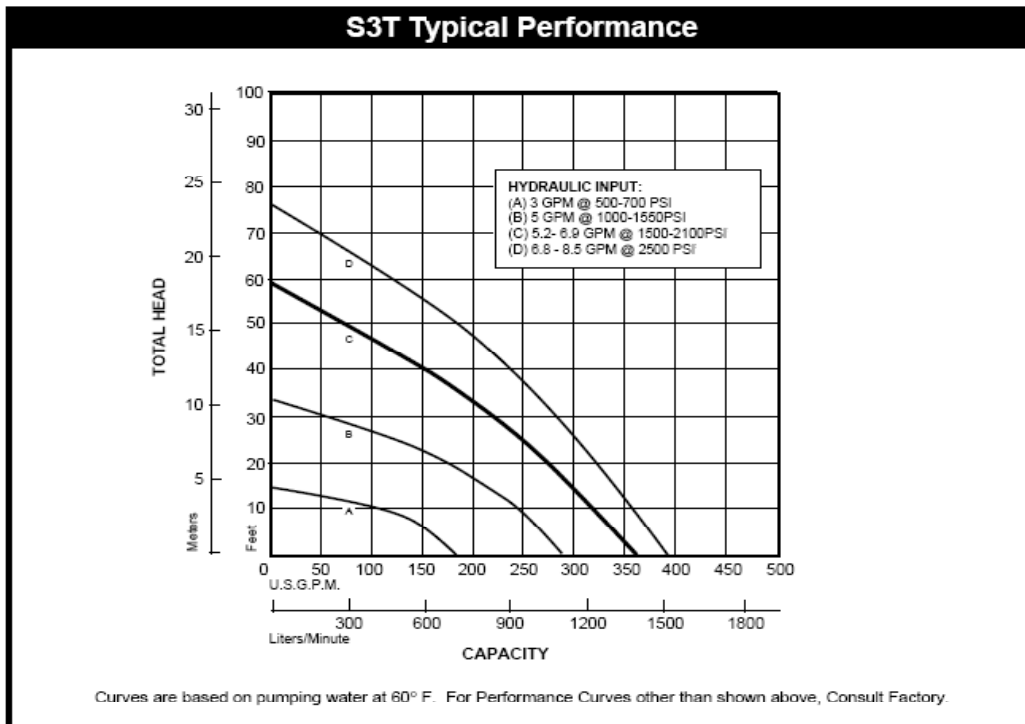
Drawing No: **DN28427**
 Revision No: **1**
 Date Issued: **28/07/2008**

Pump **S3T**
 Suction size **3" 125# ASA**
 Discharge size **3" NPT F**

Model S3T Overall Dimensions



S3T Typical Performance





Autoprime

HYDRAULIC SUBMERSIBLE

Drawing No: **DN28428**
Revision No: **1**
Date Issued: **28/07/2008**

Pump **S3VHL**
Suction size **3" 125# ASA**
Discharge size **3" NPT F**

S3VHL

SPECIFICATIONS	
Max. Flow rate	159m ³ /h
Max. Discharge head	50m
Weight	DI - 131 kg or AL - 70 kg
Height	840mm
Max. diameter	500 mm
Max. solids size	75 mm
Hose port	1" SAE
Suction flange	3" 125# ASA
Discharge port	3" NPT F
Pump casing	HT Aluminium
Impeller	Ductile Iron
Wear ring &/or Plate	Stainless Steel
Shaft	Stainless Steel
Shaft seal - Standard	Carbon Ceramic
Elastomers - Standard	Buna (N)
Hydraulic Oil	214-320 s.s.u @ 64 Deg. C
Input Flow	68 l/m Max
Operating pressure	200 bar Max

4" and 6" and S3VHL pump ends include 500mm pig-tails with hydraulic connections and protection around hydraulic motor.



Hoogeindsestraat 5
NL - 5447 PD Rijkevoort
Nederland
T : +31 (0) 485 - 371318
F : +31 (0) 485 - 371918
info@pompentechniek.nl
www.pompentechniek.nl



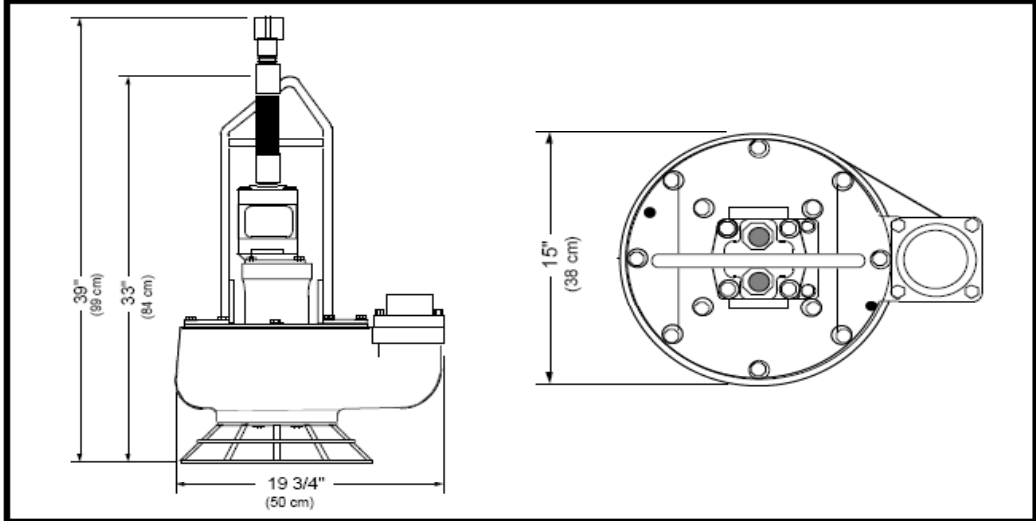
Autoprime

HYDRAULIC SUBMERSIBLE

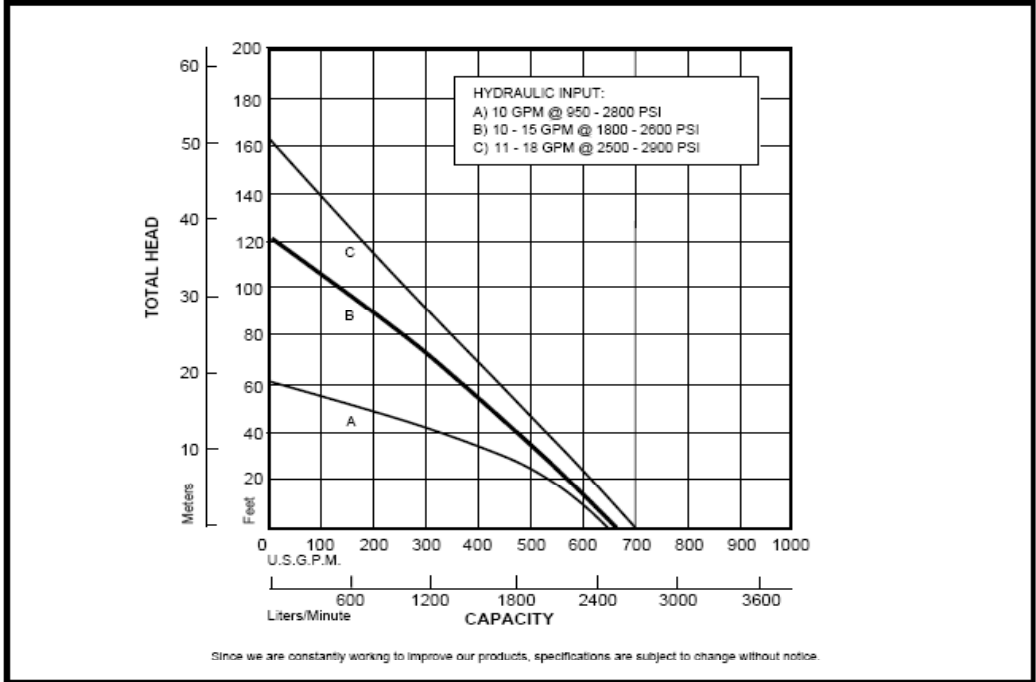
Drawing No: **DN28428**
 Revision No: **1**
 Date Issued: **28/07/2008**

Pump **S3VHL**
 Suction size **3" 125# ASA**
 Discharge size **3" NPT F**

Model S3VHL Overall Dimensions



S3VHL Typical Performance





Autoprime

HYDRAULIC SUBMERSIBLE

Drawing No: **DN28429**
Revision No: **1**
Date Issued: **28/07/2008**

Pump **S4T**
Suction size **N/A**
Discharge size **4" NPT F**

S4T

SPECIFICATIONS	
Max. Flow rate	197m3/h
Max. Discharge head	27.5m
Weight	74 kg
Height	640mm
Max. diameter	500 mm
Max. solids size	75mm
Hose port	1" NPT F
Suction flange	N/A
Discharge port	4" NPT F
Pump casing	Ductile Iron
Impeller	Ductile Iron
Wear ring &/or Plate	N/A
Shaft	Stainless Steel
Shaft seal - Standard	Carbon Ceramic
Elastomers - Standard	Buna (N)
Hydraulic Oil	214-320 s.s.u @ 64 Deg. C
Input Flow	57 l/m Max
Operating pressure	172 bar Max

4" and 6" and S3VHL pump ends include 500mm pig-tails with hydraulic connections and protection around hydraulic motor.



Hoogeindsestraat 5
NL - 5447 PD Rijkevoort
Nederland
T : +31 (0) 485 - 371318
F : +31 (0) 485 - 371918
info@pompeentechniek.nl
www.pompeentechniek.nl



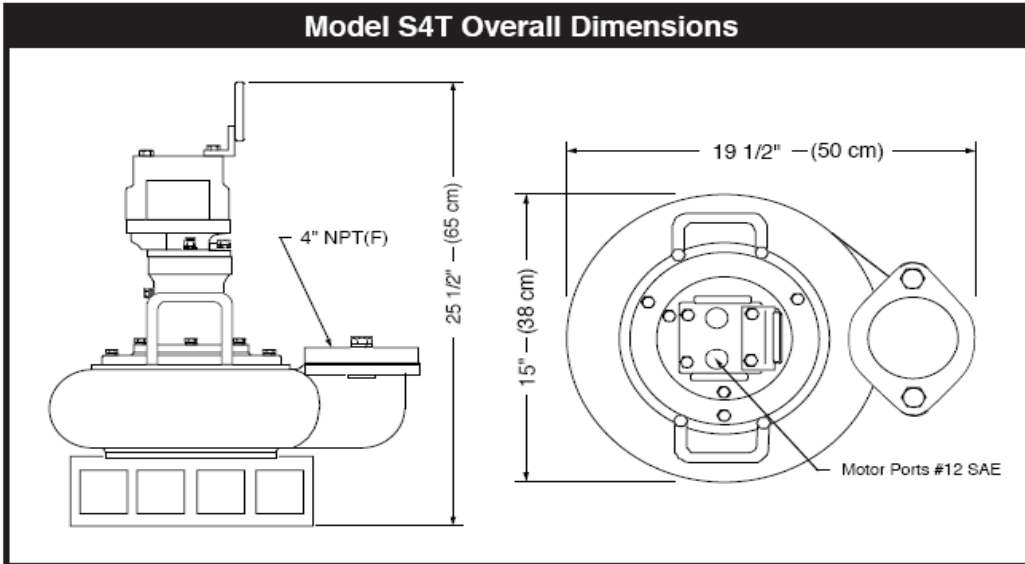
Autoprime

HYDRAULIC SUBMERSIBLE

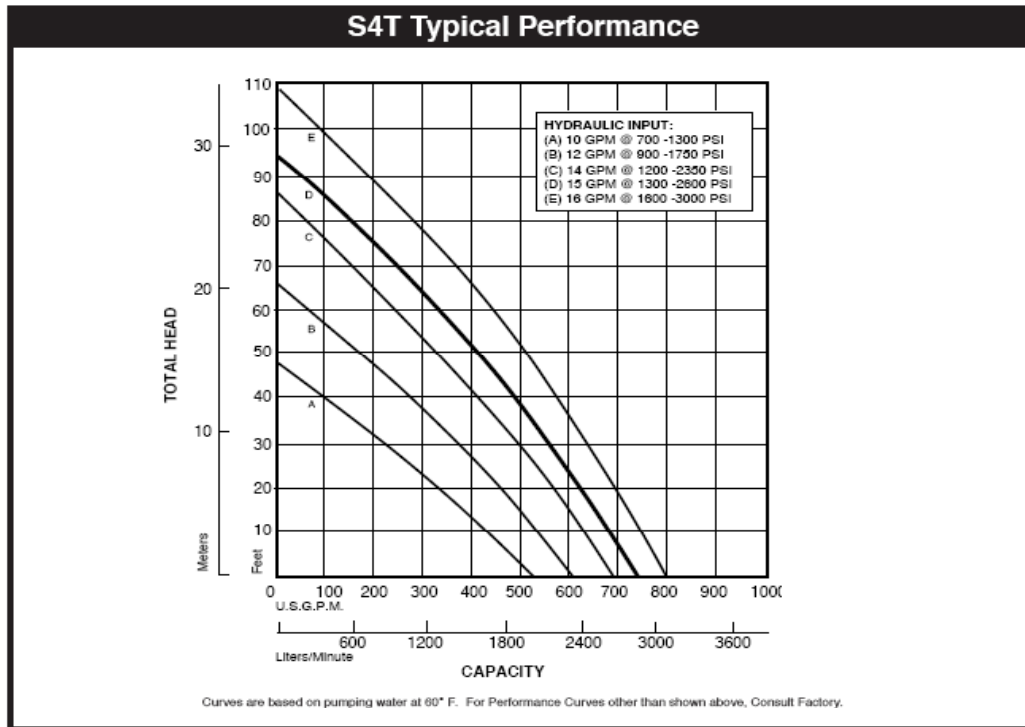
Drawing No: **DN28429**
 Revision No: **1**
 Date Issued: **28/07/2008**

Pump **S4T**
 Suction size **N/A**
 Discharge size **4" NPT F**

Model S4T Overall Dimensions



S4T Typical Performance





Autoprime

HYDRAULIC SUBMERSIBLE

Drawing No: **DN28430**
Revision No: **1**
Date Issued: **28/07/2008**

Pump **S4VHL**
Suction size **4" 125# ASA**
Discharge size **4" NPT F**

S4VHL

SPECIFICATIONS	
Max. Flow rate	170m ³ /h
Max. Discharge head	63m
Weight	DI - 134 kg or AL - 72 kg
Height	840mm
Max. diameter	500 mm
Max. solids size	75 mm
Hose port	1" SAE
Suction flange	4" 125# ASA
Discharge port	4" NPT F
Pump casing	Ductile Iron
Impeller	Ductile Iron
Wear ring &/or Plate	Stainless Steel
Shaft	Stainless Steel
Shaft seal - Standard	Carbon Ceramic
Elastomers - Standard	Buna (N)
Hydraulic Oil	214-320 s.s.u @ 64 Deg. C
Input Flow	95 l/m Max
Operating pressure	200 bar Max

4" and 6" and S3VHL pump ends include 500mm pig-tails with hydraulic connections and protection around hydraulic motor.



Hoogeindsestraat 5
NL - 5447 PD Rijkevoort
Nederland
T : +31 (0) 485 - 371318
F : +31 (0) 485 - 371918
info@pompentechniek.nl
www.pompentechniek.nl



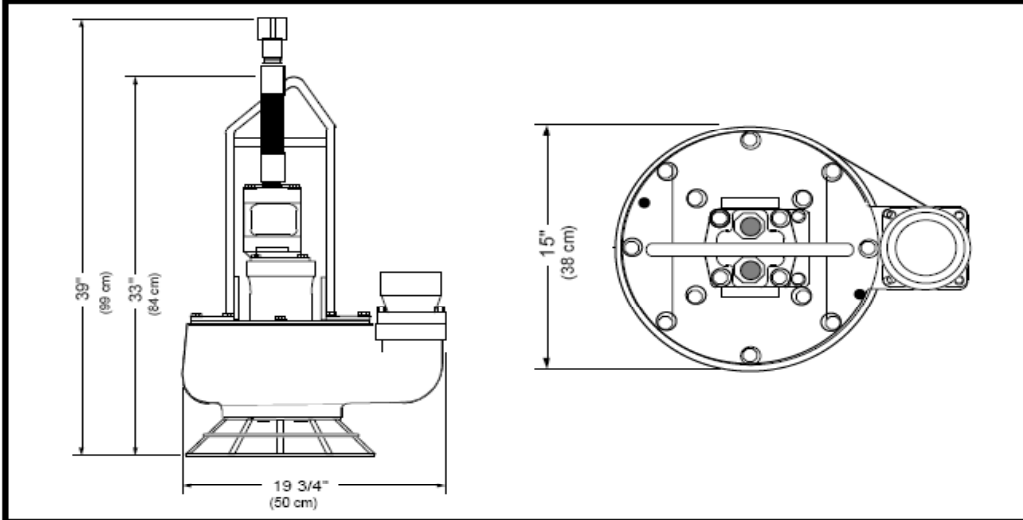
Autoprime

HYDRAULIC SUBMERSIBLE

Drawing No: **DN28430**
 Revision No: **1**
 Date Issued: **28/07/2008**

Pump **S4VHL**
 Suction size **4" 125# ASA**
 Discharge size **4" NPT F**

Model S4VHL Overall Dimensions



S4VHL Typical Performance

