

Multi-Stage Pumps



Hoogeindsestraat 5
NL - 5447 PD Rijkevoort
Nederland
T : +31 (0) 485 - 371318
F : +31 (0) 485 - 371918
info@pompechniek.nl
www.pompechniek.nl



CD - Evolved to meet today's challenging applications

SPP CD range of horizontal and vertical multistage pumps are designed for longevity, minimum through-life cost and ease of maintenance.

High grade materials of construction and generously rated bearings provide a rugged combination to meet the demands of heavy-duty applications.

CFD tuned hydraulics and state of the art manufacturing techniques optimise efficiencies and minimise running costs.

Rigid, heavy duty, fabricated-steel baseplates prevent distortion. Optional, low-cost, SPP designed condition monitoring packages enable predictive maintenance schedules to extend service intervals.

Typical Applications

- Steel manufacture
- Power generation
- Municipal water supply
- De-salination
- Reverse osmosis
- Condensate extraction
- Sprinkler irrigation
- Petrochemical duties
- Fire fighting



SPP PUMPS

Jansen Pompechniek T: +31(0)485-371318 E: info@pompechniek.nl

Performance and Capacity

Flows to 850 cum/hr

Heads to 800m

Fluid temperature range: -10:150 C°

Ambient temperature: -10:150 C°50 & 60hz

Construction Features

Diffuser type, ring section design through-bolt construction

CFD designed hydraulics

Precision-cast, impellers, diffusers & casings

Hydraulically balanced rotating elements

Motor, I.C. engine or turbine driven

Direct or through gearbox

Configurations

Horizontal or vertical mounting

Discharge vertical

Suction at DE or NDE

Suction vertical or horizontal

Direction of rotation: clockwise or anti-clockwise

Thrust Bearings

API type double row angular contact

Oil lubricated, water cooled

Balance disc/drum option available

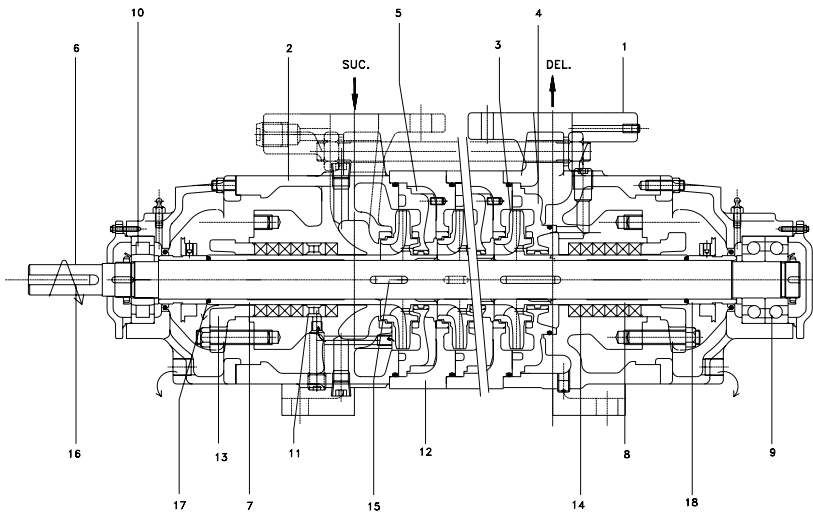
Stuffing Box

Balanced cartridge seals as standard

Product lubricated/cooled

Several API flush plans available

Cross Sectional View



- 1 Delivery Casing
- 2 Suction Casing
- 3 Enclosed Impeller
- 4 Diffuser
- 5 Diffuser with guide vane
- 6 Pump shaft
- 7,8 Shaft Sleeve
- 9 Pair of angular contact ball bearing (NDE)
- 10 Roller Bearing (DE)
- 11 Lantern Ring
- 12 Stage Casing
- 13 Gland
- 14 Gland Packing
- 15 Impeller Key
- 16 Key for Coupling
- 17 'O' Ring
- 18 Distance Sleeve

Material Options

| | | | | | |
|----------------------|---------|---------|-----------|------------|---------|
| Casing | C.I. | Bronze | Ni-resist | Cast Steel | Duplex |
| Diffuser | C.I. | Bronze | Ni-resist | Cast Steel | Duplex |
| Impeller | C.I. | Bronze | Ni-resist | Cast Steel | Duplex |
| Shaft | H.T.S. | St. St. | St. St. | St. St. | Duplex |
| Wear Rings | C.I. | Bronze | Z.F.B. | C.S. | St. St. |
| Shaft Sleeves | St. St. | Bronze | St. St. | St. St. | Duplex |