

Inline Pumps

LR/LMR & LRZ/LMZ, LER & LEZ

Jansen



Hoogeindsestraat 5
NL - 5447 PD Rijkevoort
Nederland
T : +31 (0) 485 - 371318
F : +31 (0) 485 - 371918
info@pompentechniek.nl
www.pompentechniek.nl

Technical Data

Performance:

- Capacity up to 350m³/h (1540USgpm)
- Head up to 85m (280feet)
- Speed up to 2950rpm

Pump sizes:

- DN 40 up to DN 150 (1 1/2" up to 6") discharge, sizes DN 200 up to DN 300 (8" up to 12"), refer to design LER / LEZ, see extension program

Temperature of pumped liquid:

- max. 140°C (284°F)

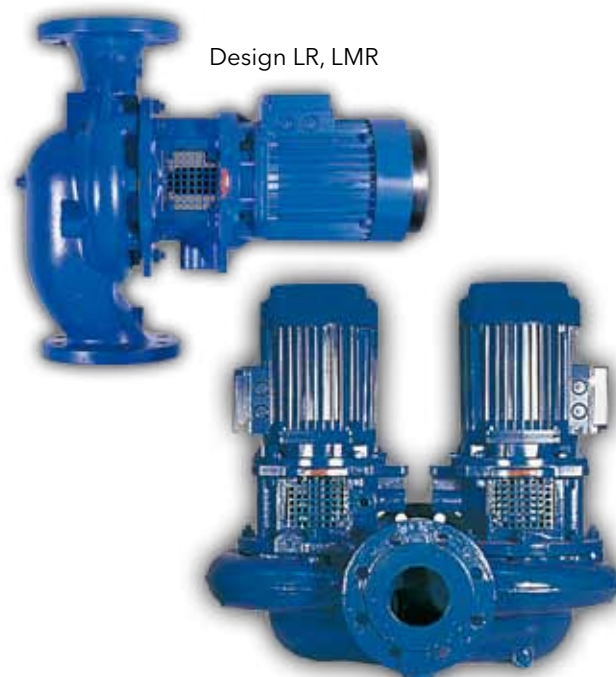
Casing pressure:

- Design LR / LRZ:
16bar/120°C or 13bar/140°C
- Design LMR/LMZ:
16bar/120°C or 13bar/140°C

Materials:

Design	Code	Size	Impeller	Casing, Seal chamber	Wear rings	Motor adapter	Shaft
LR LRZ	VN	40-125 up to 80-160	1.4404	0.6020	1.4402	0.6020	1.4401
	NN	80-200 up to 100-250	0.6020				
	SN		CC 480 K		1)		
LMR LMZ	NN	DN 125 up to DN 150	0.6025	0.6025	1)	0.6025	1.4021
	SN	2)	CC 480 K				

1) optional 0.6020 or 0.6025



Design LR, LMR

Design LMZ

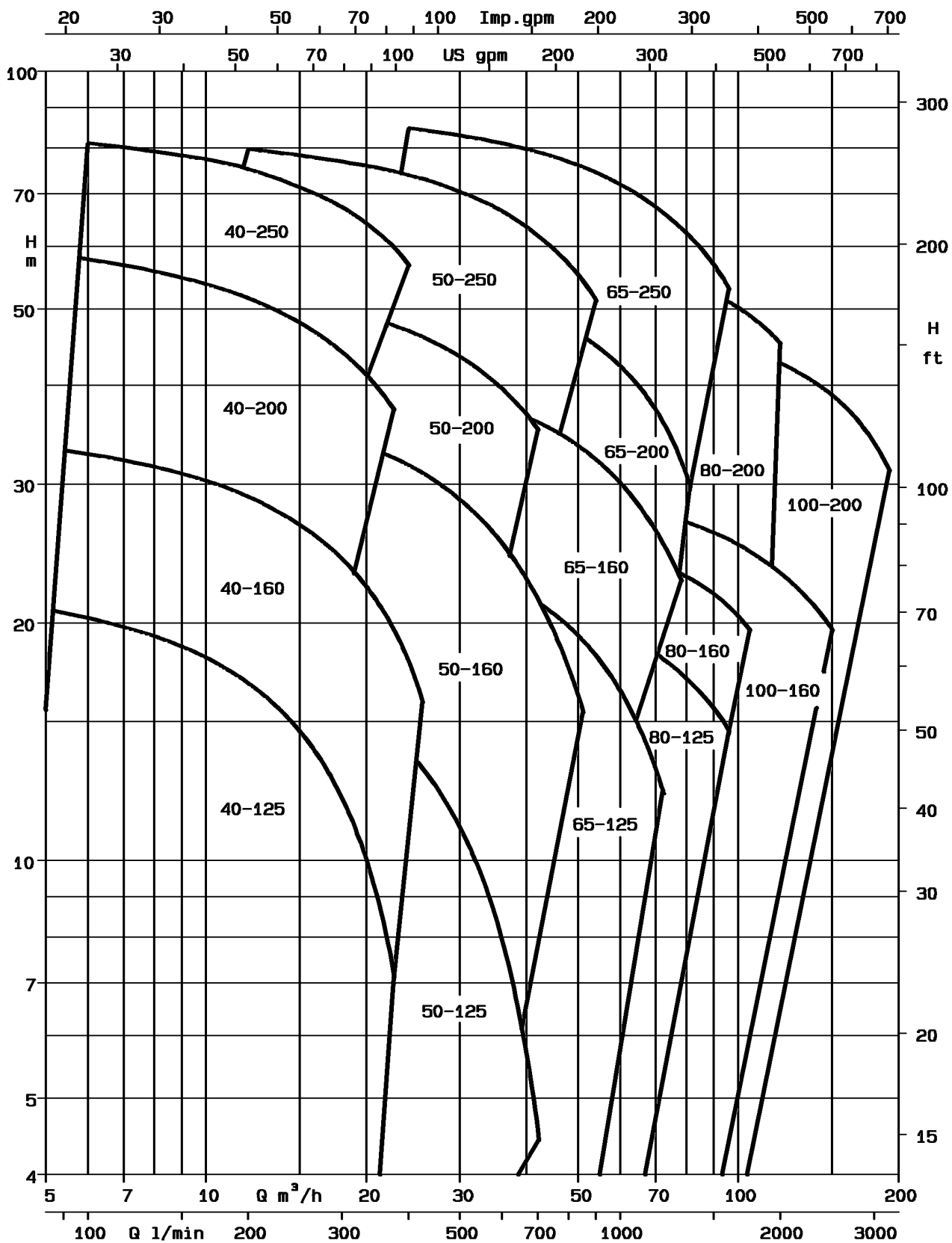
Liquids:

- Clean and slightly contaminated fluids (without bigger solids)
- Cold and hot water
- Condensate
- Water-Glycol mixtures

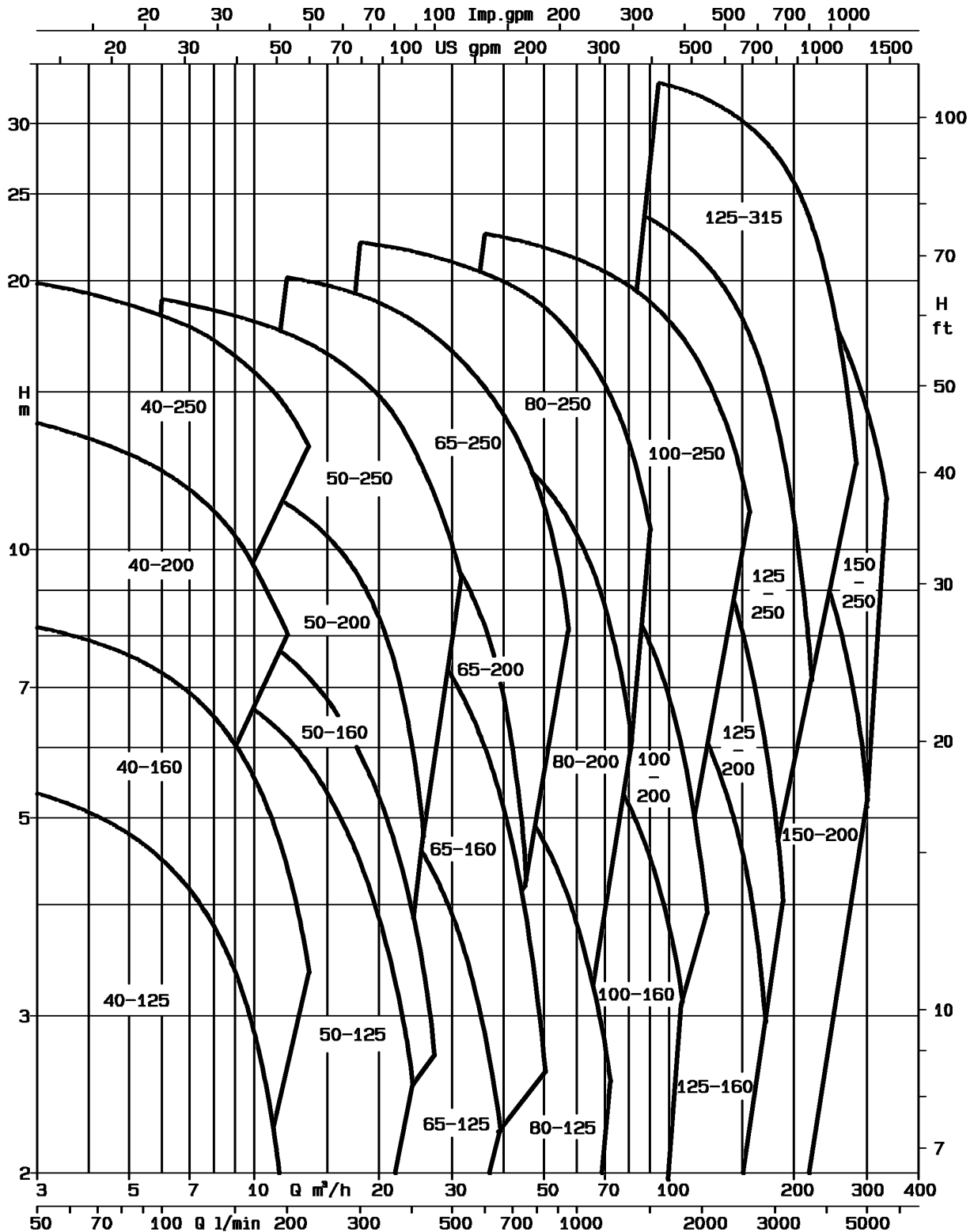
Applications:

- Water supply and water treatment
- Cooling and hot water supply in industries and building services
- Filter systems

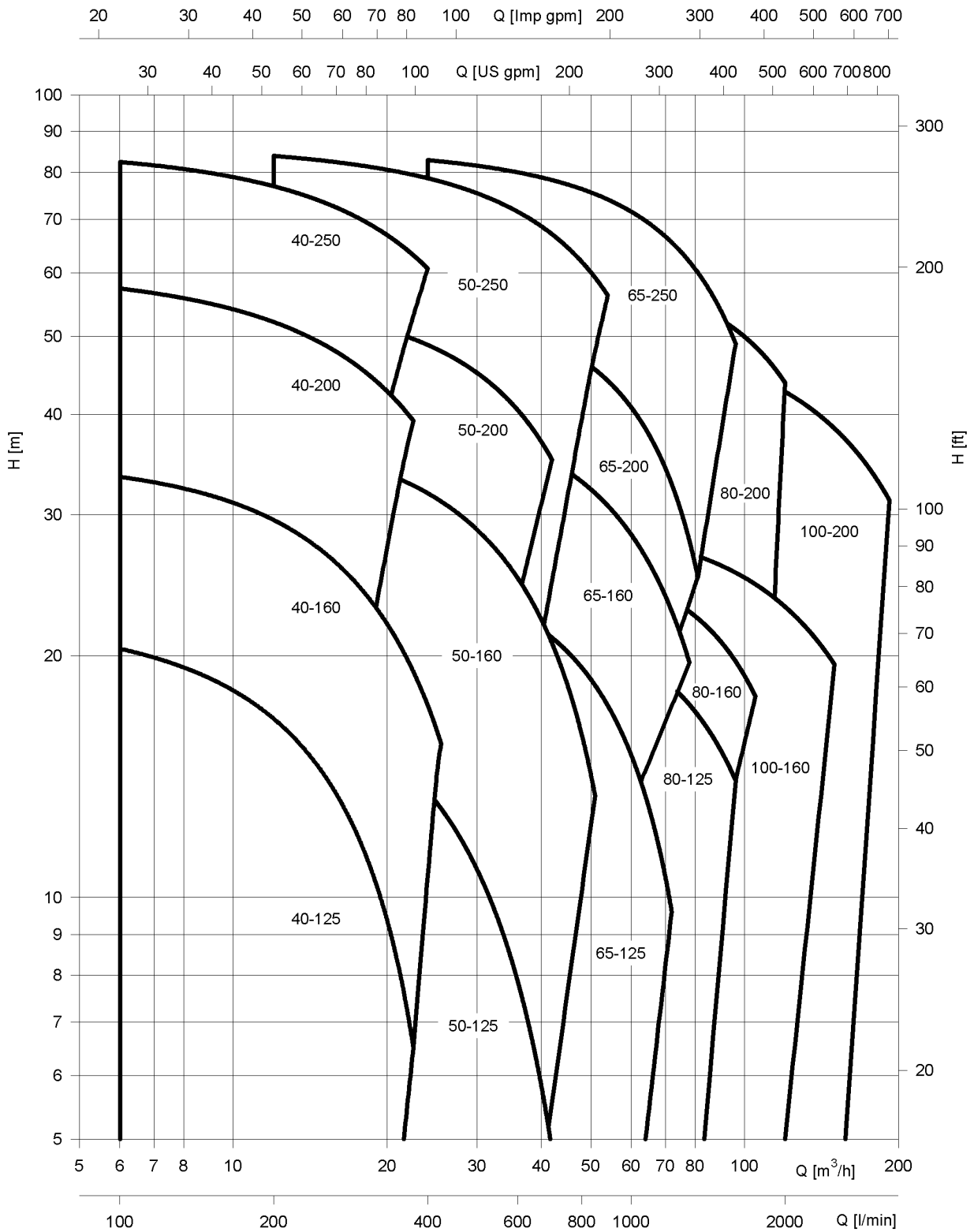
Performance 2900rpm, Design LR



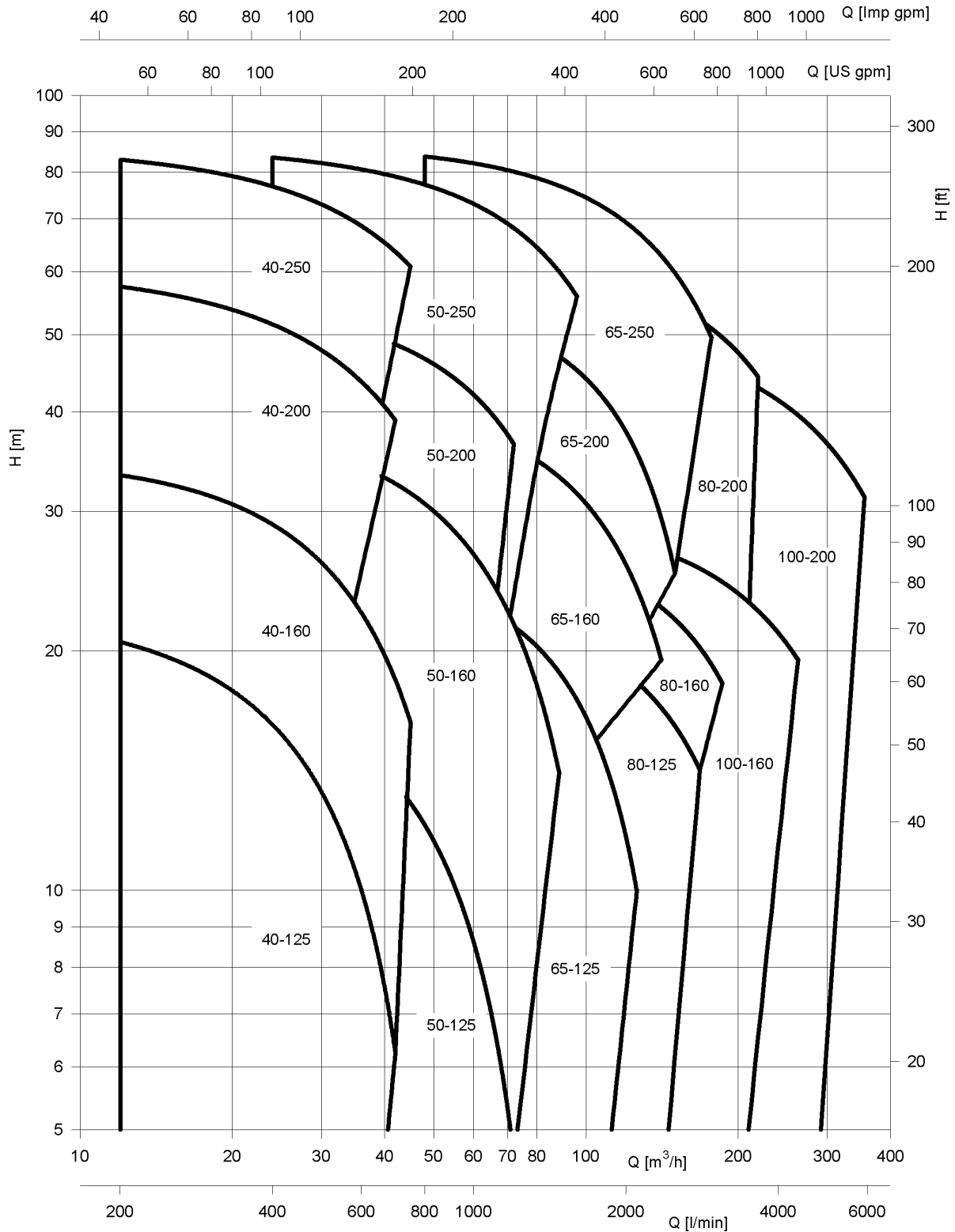
Performance 1450rpm, Design LR / LMR



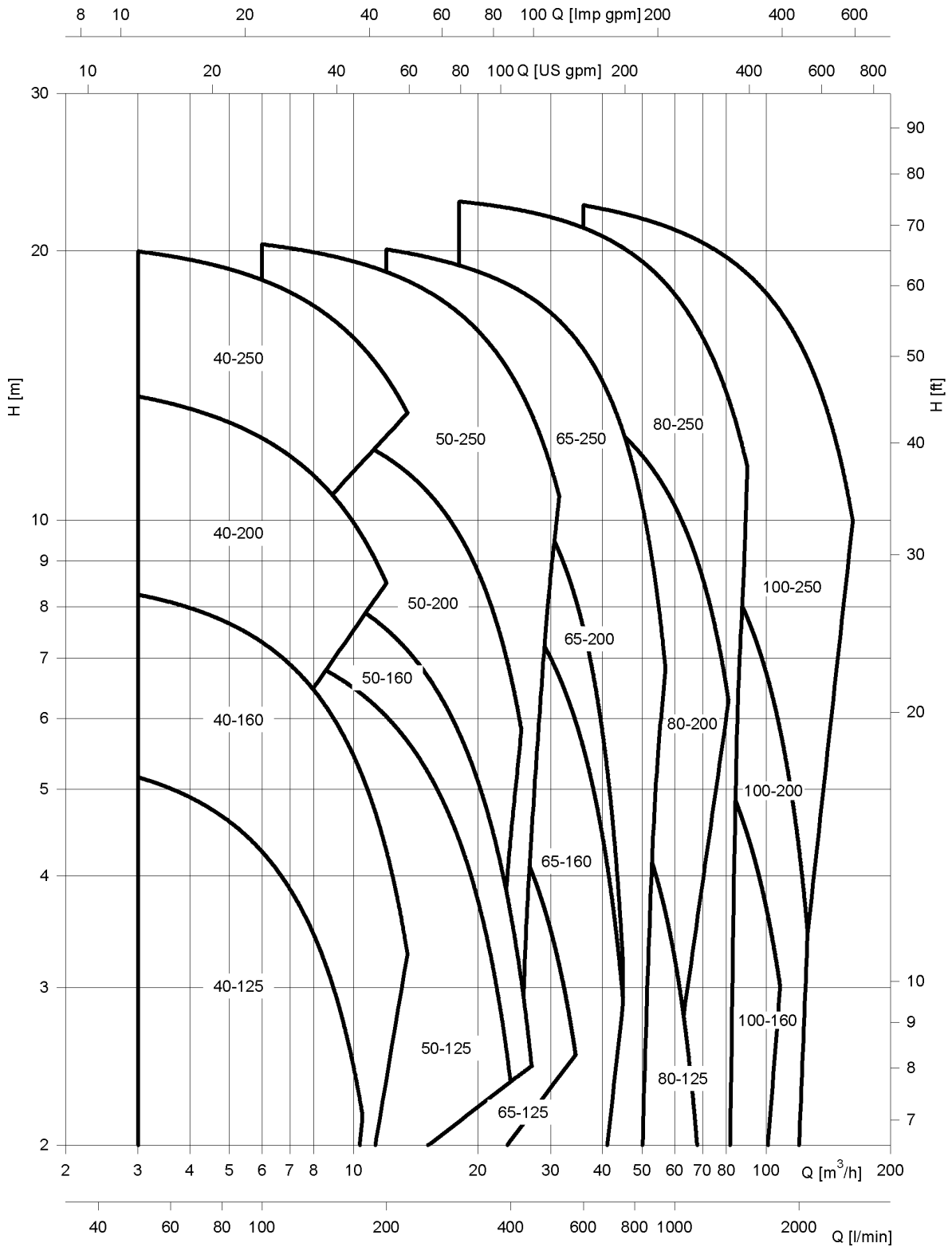
Performance 2900rpm, Design LRZ - Single operation



Performance 2900rpm, Design LRZ - Parallel operation



Performance 1450rpm, Design LRZ - Single operation

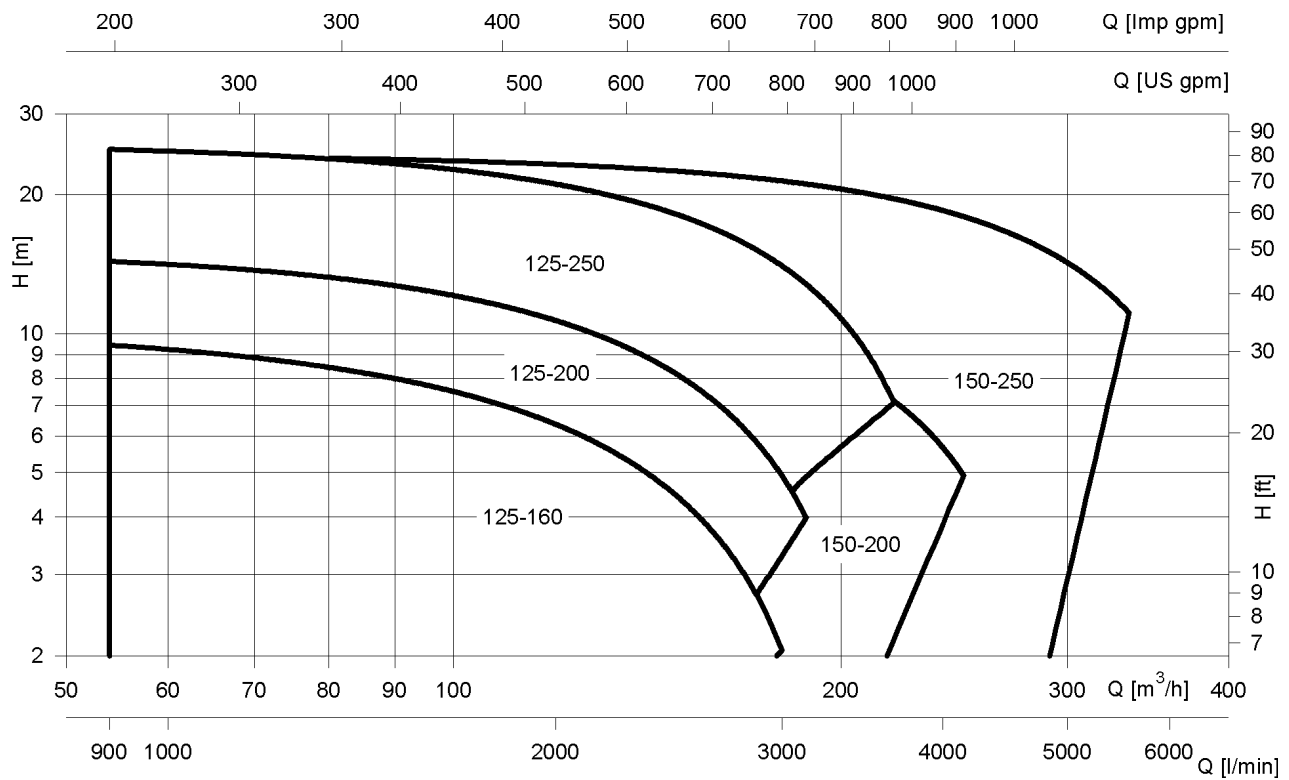


Performance 1450rpm, Design LRZ - Parallel operation

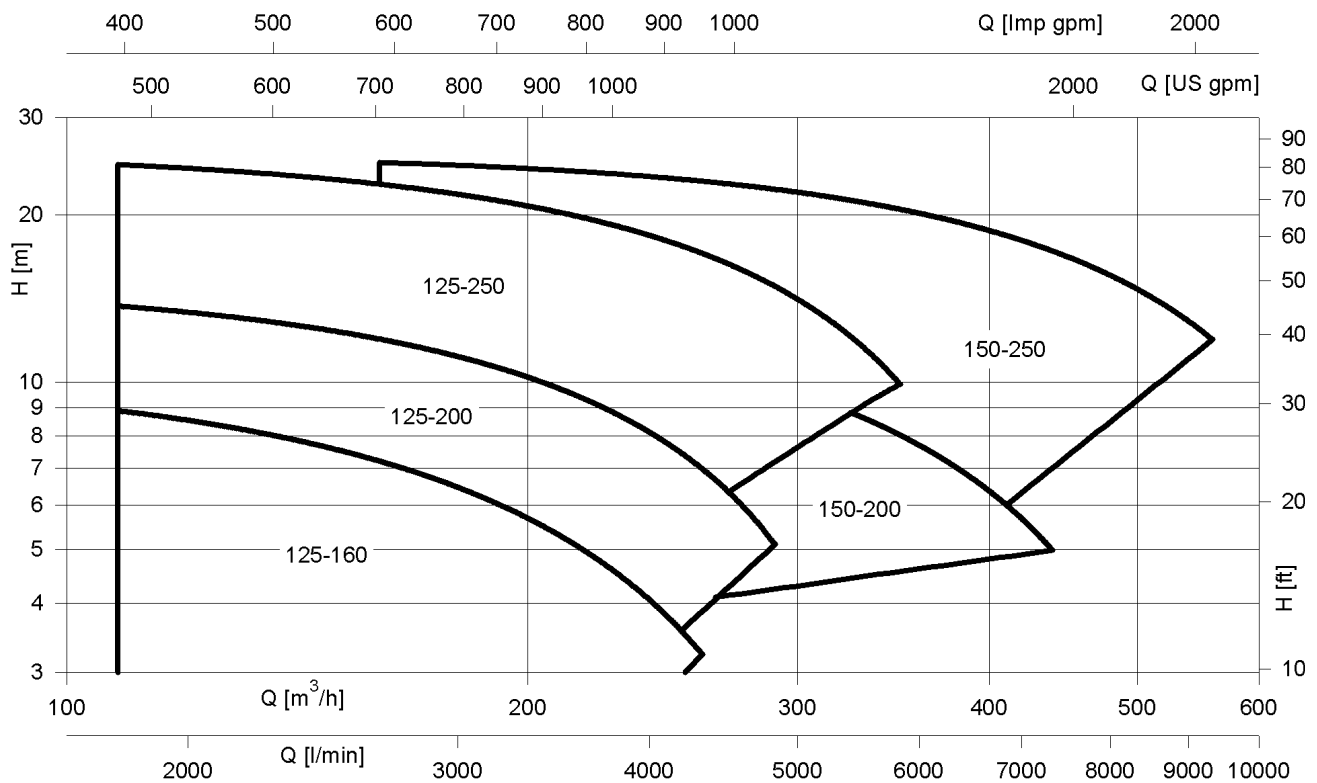


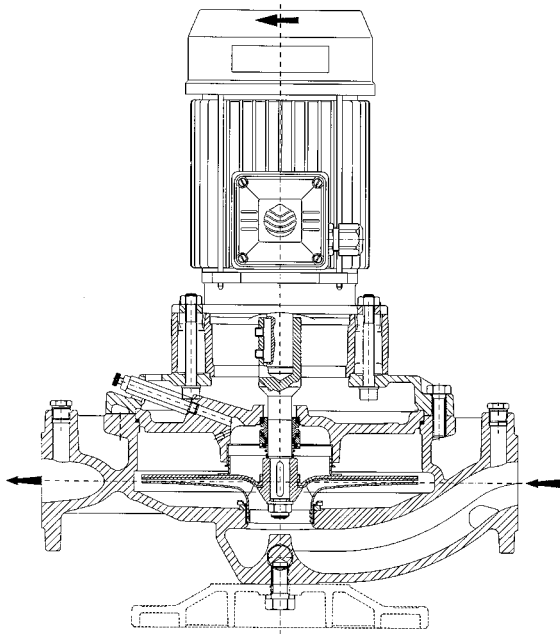
Performance 1450rpm, Design LMZ

Single operation

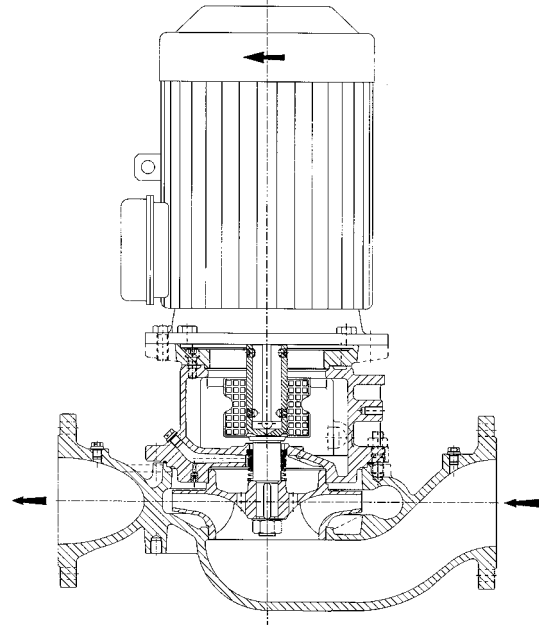


Parallel operation





Design LR

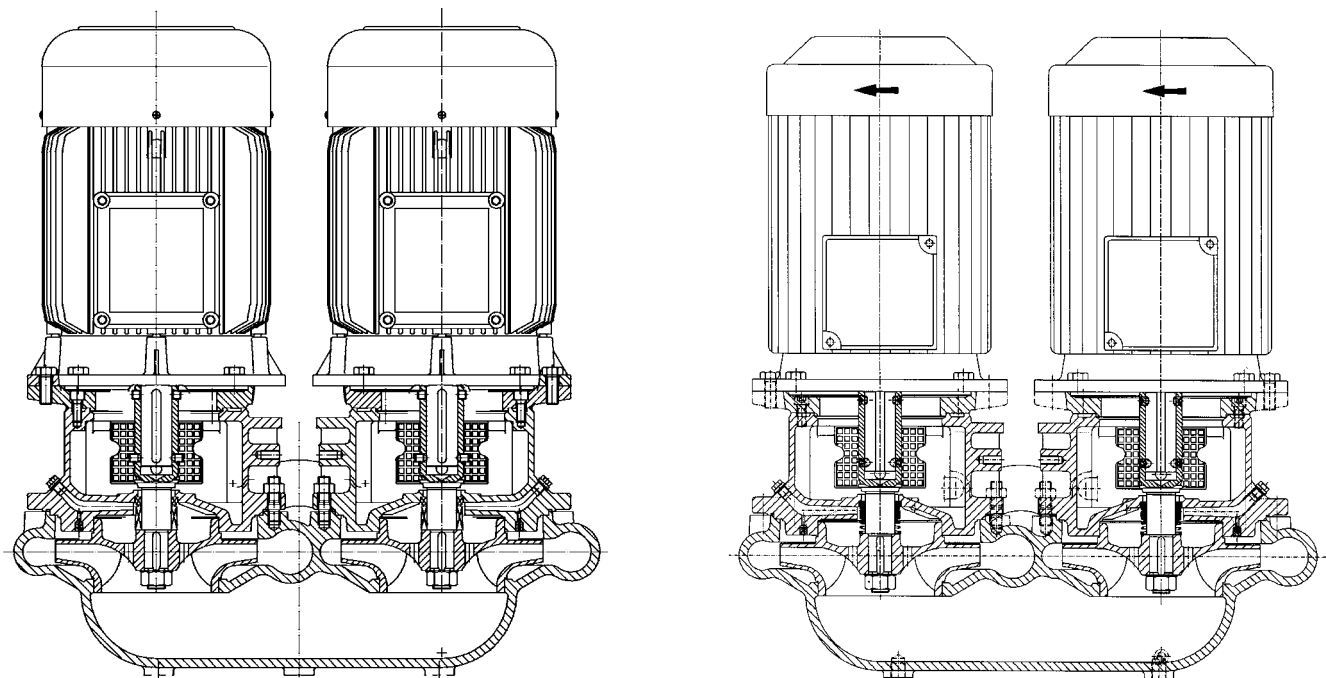


Design LMR

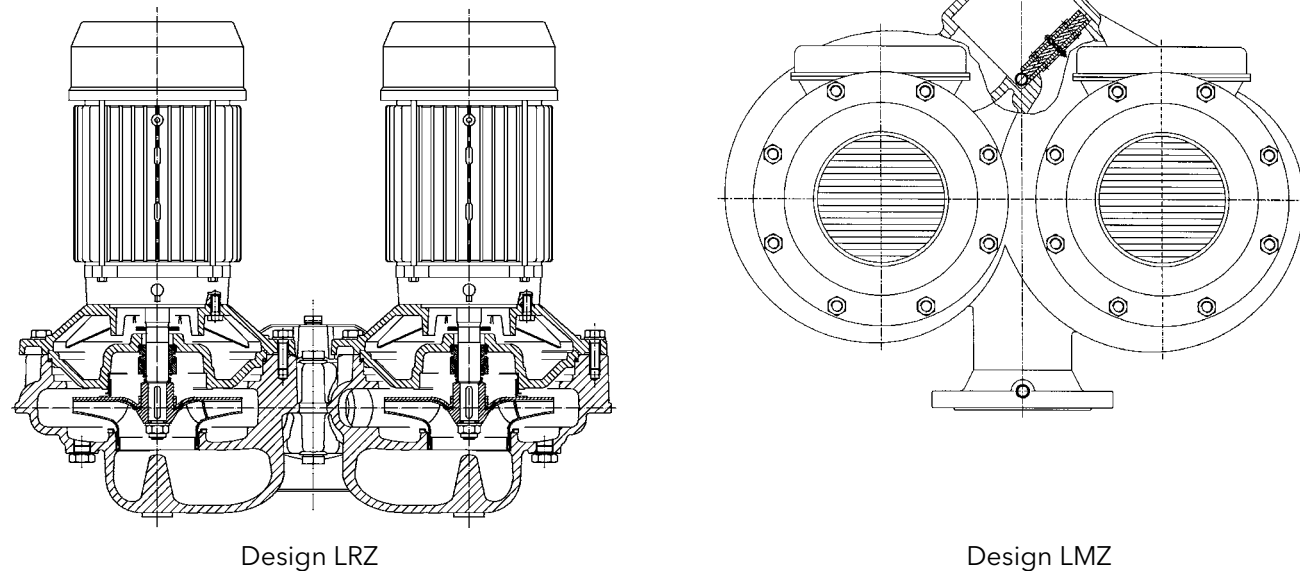
Design features LR, LMR:

- Single stage volute casing pump in Inline design with direct mounted standard IEC Norm Motor.
- Meeting the requirements according to ISO 9908
- High efficiency enclosed impeller. Sizes 40-125 up to 80-160 standard made of stainless steel 1.4404, stamped and laser welded. Sizes 80-200 up to 150-250 standard cast iron, optional bronze.
- Casing in solid design. Suction and discharge Inline. Flanges DN 40 up to DN 150 standard PN 16.
- Seal chamber dimensioned according to EN 3096
- Large open conical seal chamber, selfventing with internal circulation for proper lubrication and cooling of the seal. Ribs in the seal chamber prevent the accumulation of air or gas in the area of the seal faces and reduce wear caused by solids in the fluid.
- Shaft sealing by means of single, unbalanced mechanical seal according to EN 12756, design U, version k (former DIN 24 960, I1k).
- Standard mechanical seal materials: Carbon - Silicon Carbide (SiC) - EPDM (BQ1EGG), optional elastomers in FPM (Viton®) (BQ1VGG). As option also available in SiC - SiC - FPM (Viton®) (Q1Q1VGG).
- Solid motor adapter made of cast iron for direct connection to standard IEC Norm Motors, design B5/V1.
- Pump shaft designed as stub shaft and completely made of stainless steel for long lifetime, directly connected to the motor shaft.

With stub shaft and standard motor



Close-coupled with special motor shaft extension



Design LRZ

Design LMZ

Design features LRZ / LMZ:

- Single stage volute casing pump in Inline twin design with direct mounted standard IEC Motor.
- Operation and stand-by pump in a one casing with integrated automatic reversing flap.
- Identical drive unit for both pumps (impeller and motor) and also identical with the single Inline pump LMR.
- Other features identical with series LMR.

Extension Program

Performance:

- Capacity up to 1000m³/h (4400USgpm)
- Head up to 80m (262feet)
- Speed up to 2950rpm

Pump Sizes:

- DN 100 up to DN 300 (4" up to 12") discharge

Temperature of pumped liquid:

- max. 150 °C (302 °F)

Casing pressure:

- Design LER/LEZ: 10bar/120 °C
- Design LERS: 16bar/150 °C

Liquids:

- Clean and slightly contaminated fluids (without bigger solids)
- Cold and hot water
- Condensate
- Water-Glycol mixtures

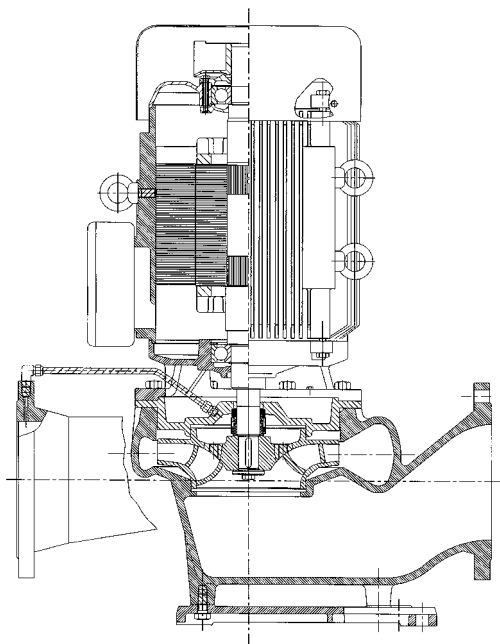
Applications:

- Water supply and water treatment
- Cooling and hot water supply in industries and building services
- Filter systems

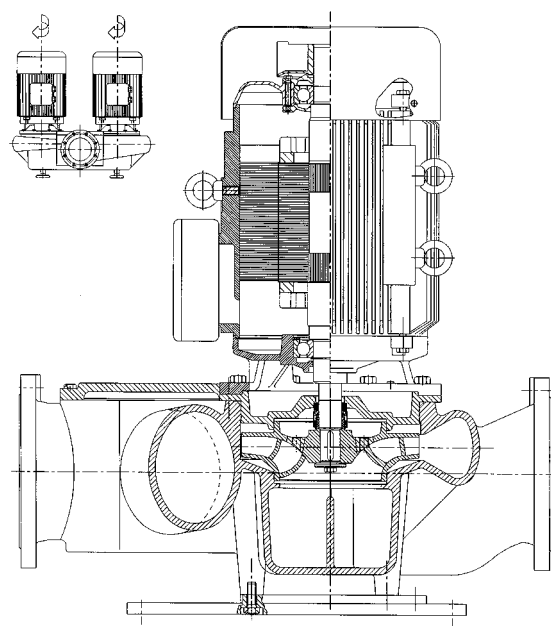


Materials:

Design	Size	Code	Impeller	Casing, Seal Chamber	Wear rings	Motor adapter	Shaft
LER LERS	DN 100 up to DN 250	NN	0.6020	0.6020	without	0.6020	1.4460
		NL	0.6020	0.7040			
	DN 300	LN	0.7040	0.6020			
		LL		0.7040			
LEZ	DN 125 up to DN 250	NN	0.6020	0.6020			
		NL		0.7040			



Design LER



Design LEZ

Design features LER / LEZ:

- Single stage volute casing pump in Inline design with direct mounted motor with extended motor shaft.
- Design LER Single Inline Pump
- Design LERZ Twin-Inline Pump. Operation and stand-by pump in one casing with integrated automatic reversing flap.
- Meeting the requirements according to ISO 9908
- High efficiency enclosed impeller. Standard made of cast iron, optional bronze.
- Casing in solid design. Flanges standard PN 10, optional for design LERS, PN 16.

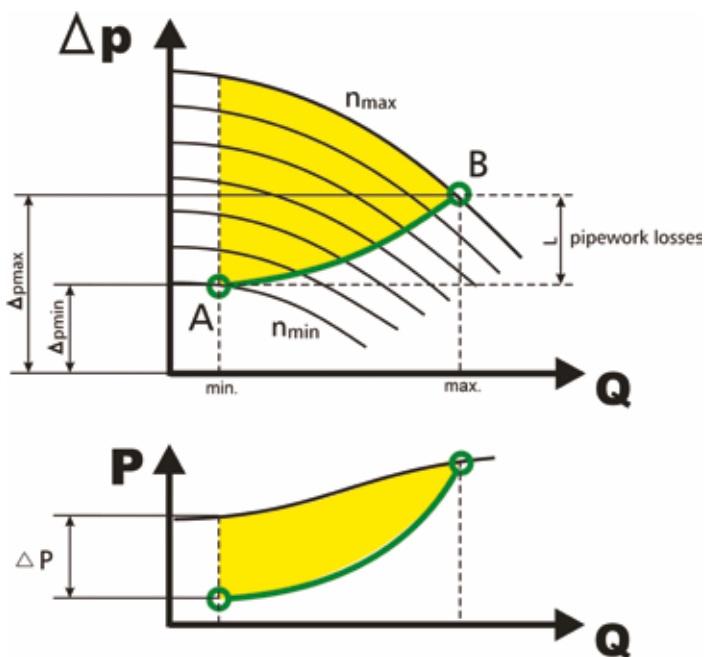
Inline Pumps and HYDROVAR

HYDROVAR application example - Control along a system curve

In closed systems for heating or cooling applications most of pressure has to be built up to overcome high friction losses in the system.

By controlling the provided pressure of the pump along the system curve and the actual demand, energy savings up to 70% can be realized.

This system characteristic can be programmed in the HYDROVAR without requiring additional external flow measurement devices.

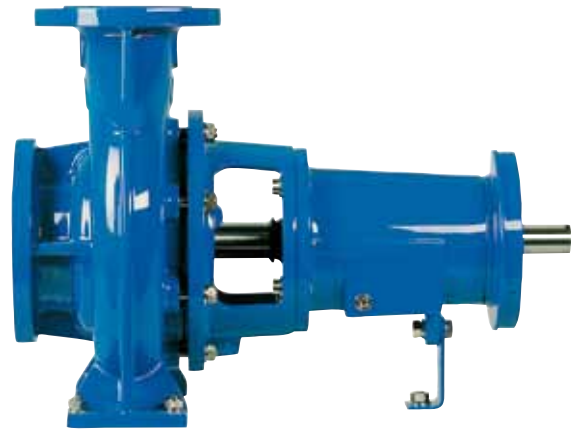


Instead of the costly differential pressure measurement the HYDROVAR can use 2 separate pressure sensors. The differential pressure for the control loop is internally calculated in the HYDROVAR.

Program Extension

Volute Casing Pumps LN / L:

- Single stage volute casing pump according to EN 733 / ISO 9908
- Sizes from DN 32 up to DN 150 (1 1/4" up to 6")
- Capacities up to 600m³/h (2640USgpm)
- Head up to 100m (328feet)



Design L

Blockpumps LMN / LM:

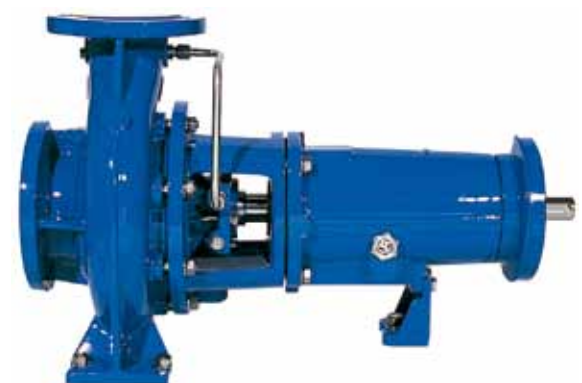
- Horizontal single stage blockpump with direct mounted IEC-Standard motor
- Sizes from DN 32 up to DN 150 (1 1/4" up to 6")
- Capacities up to 500m³/h (660USgpm)
- Head up to 95m (312feet)
- Motor sizes up to 55kW (75hp)



Design LM

Volute Casing Pumps LS:

- Extension of the performance range of model LN/L
- Horizontal design according to ISO 5199
- Sizes from DN 125 up to DN 600 (5" up to 24")
- Capacities up to 4600m³/h (20250USgpm)
- Head up to 100m (328feet)



Design LS