

# Blockpumps LMN/LM



Hoogindsestraat 5  
NL - 5447 PD Rijkevoort  
Nederland  
T : +31 (0) 485 - 371318  
F : +31 (0) 485 - 371918  
info@pompentechniek.nl  
www.pompentechniek.nl

# Technical Data

## Performance:

- Capacity up to 500m<sup>3</sup>/h (2200USgpm)
- Head up to 9m (312feet)
- Speed up to 2900rpm

## Pump sizes:

- DN 32 up to DN 150 (1 1/4" up to 6") discharge,
- Pumps with higher capacities, sizes DN 125 up to DN 600 (5" up to 24"), refer to design LS

## Temperature of pumped liquid:

- max. 140°C (284°F)

## Casing pressure:

- Design LMN:  
up to 16bar/120°C or 13bar/140°C
  - Design LM:  
up to 12bar/120°C or 10bar/140°C
- Pumps in other materials and for higher casing pressures refer to Design LSB.

## Materials:

Design	Code	Size	Impeller	Casing, Seal chamber	Wear rings	Motor adapter	Shaft
LMN	VN	32-125 up to 65-125	1.4404	0.6020	1.4402	0.6020	1.4401
	NN	65-160 up to 80-250	0.6020		1)		
	SN		CC 480 K				
LM	NN	65-315 80-315 80-400	0.6025	0.6025	1)	0.6025	1.4021
	SN	100-160 up to 150-400	CC 480 K				

1) optional 0.6020 or 0.6025



Design LM, Sizes DN 100 - 150



Design LMN,  
Sizes DN 32 - 80

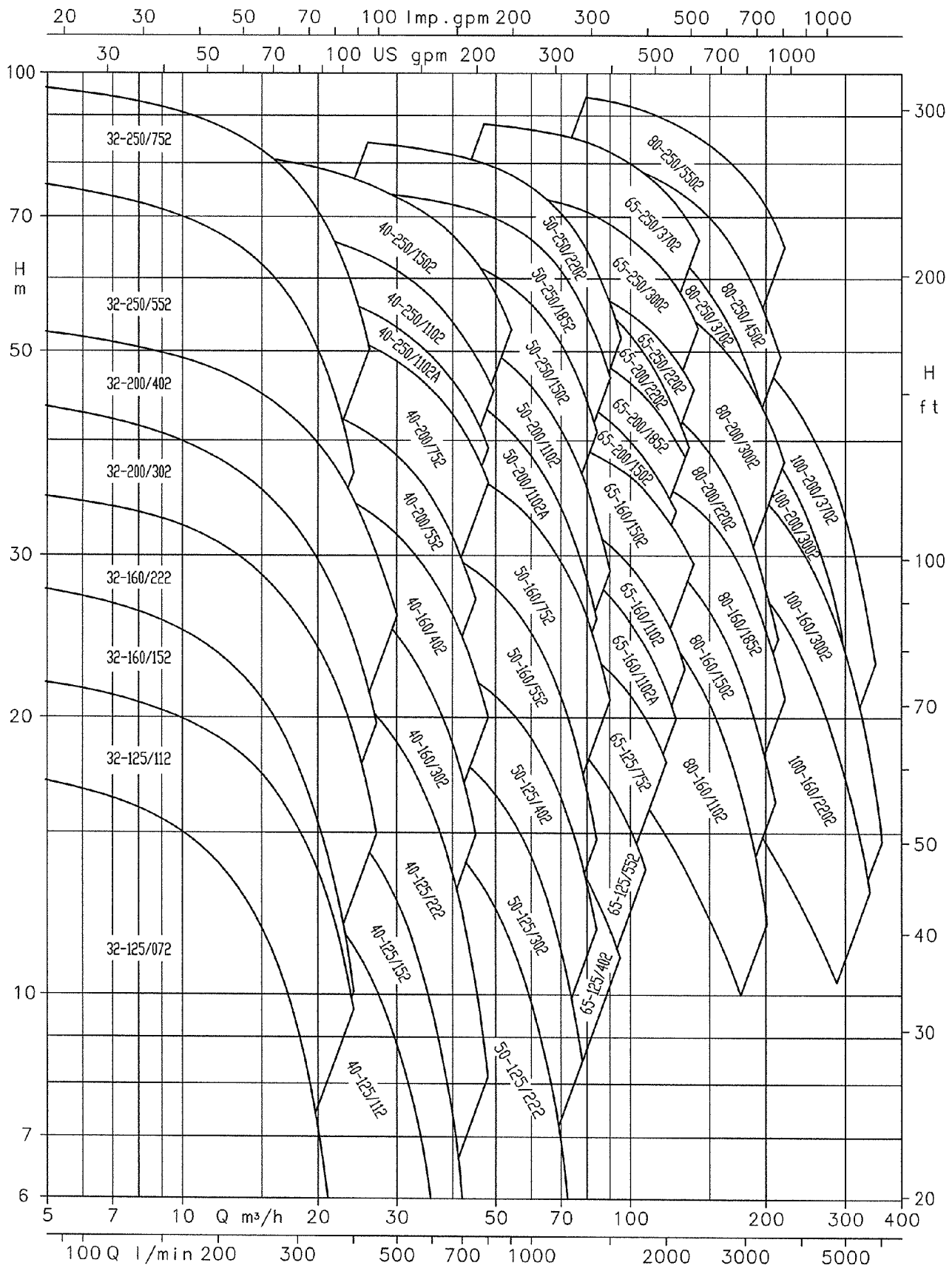
## Liquids:

- Clean and slightly contaminated fluids (without bigger solids)
- Cold and hot water
- Condensate
- Water-Glycol mixtures, etc.

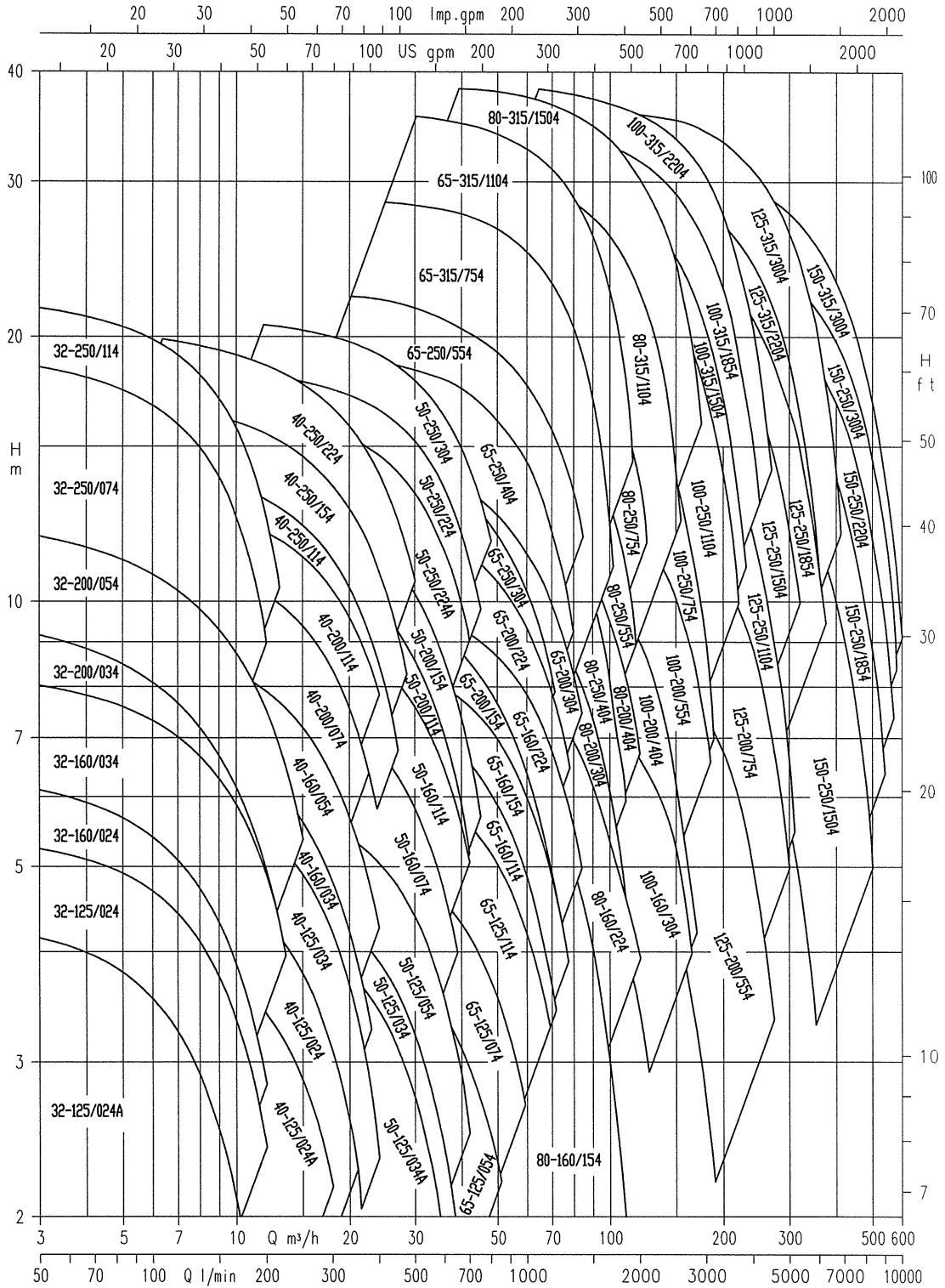
## Applications:

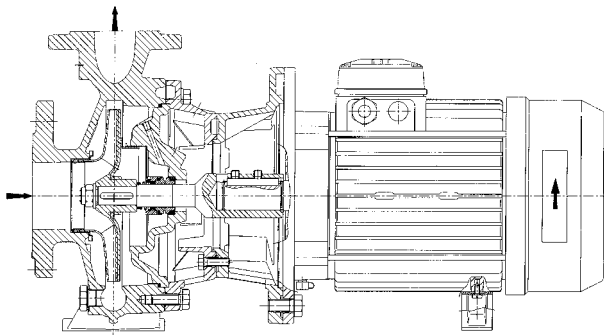
- Water supply and water treatment
- Cooling and hot water supply in industries and building services
- Filter systems, etc.

# Performance 2900rpm

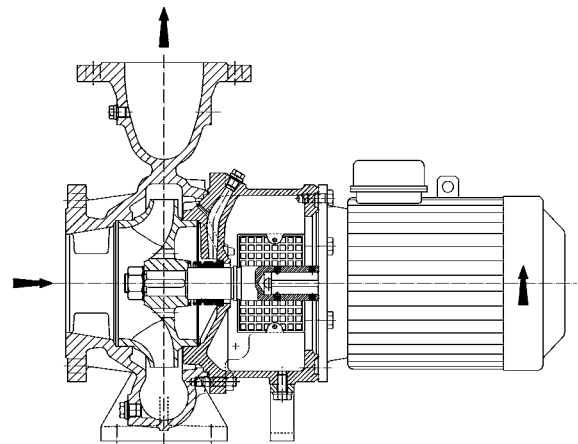


Performance 1450rpm





Design LMN



Design LM

## Design features LMN, LM:

- Horizontal single stage end suction pump in close coupled (block) design which allows the mounting of any standard IEC motors. The wet end components are interchangeable from design LN/L and are according to EN 733.  
The casings are identical with the former DIN 24255 and therefore interchangeable.
- Meeting the requirements according to ISO 9908
- High efficiency enclosed impeller. Sizes 32-125 up to 65-125 standard made of stainless steel 1.4404, stamped and laser welded. Sizes 65-160 up to 150-315 standard cast iron, optional bronze.
- Casing in solid design to absorb the flange forces in accordance with ISO 9908. Suction horizontal, discharge top centerline. Flanges DN 32 up to DN 150 standard PN 10/16, except suction flange DN 200, standard PN10, optional PN 16.
- Seal chamber dimensioned according to EN 3096
- Large open conical seal chamber, selfventing with internal circulation for proper lubrication and cooling of the seal. Ribs in the seal chamber prevent the accumulation of air or gas in the area of the seal faces and reduce wear caused by solids in the fluid.
- Shaft sealing by means of single, unbalanced mechanical seal according to EN 12756, design U, version K (former DIN 24 960, L<sub>1k</sub>).
- Standard mechanical seal materials: Carbon - Silicon Carbide (SiC) - EPDM (BQ1EGG), optional elastomers in FPM (Viton®) (BQ1VGG). As option also available in SiC - SiC - FPM (Viton®) (Q1Q1VGG).
- Solid motor adapter made of cast iron for direct connection to standard IEC motors, design B5/V1.

# HYDROVAR

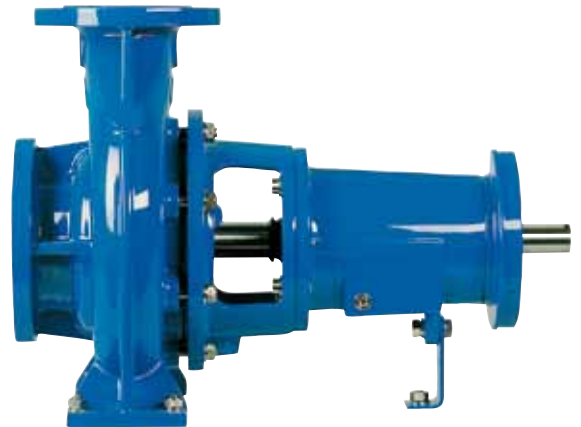
- HYDROVAR is a compact pump controller.
- Performances up to 45 kW.
- Simple mounting and installation.
- The integrated frequency converter comprises an automatic controller for pressure, differential pressure or flow.
- Applications with several pumps allow to have an automated change over in case of faults and to control the lead and lag pump according to demand by means of the integrated interfaces.
- HYDROVAR Smart for performance ranges above 45 kW. Hydrovar controller without integrated converter.



# Program Extension

## Volute Casing Pumps LN / L:

- Single stage volute casing pump according to EN 733 / ISO 9908
- Sizes from DN 32 up to DN 150 (1 1/4" up to 6")
- Capacities up to 600m<sup>3</sup>/h (2640USgpm)
- Heads up to 100m (328feet)



Design L

## Blockpumps, Baureihe LR / LMR & LRZ / LMZ:

- Inline design for direct installation into the piping with direct mounted IEC-Standard motor
- Sizes from DN 40 up to DN 150 (1 1/2" up to 6")
- Capacities up to 350m<sup>3</sup>/h (1540USgpm)
- Heads up to 80m (262feet)
- Motor sizes up to 22kW (30hp)
- Design LRZ and LMZ: Twin Inline Pump



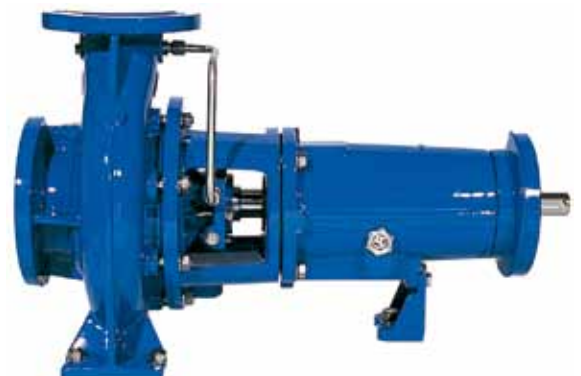
Design LMR

## Inline Extension Program LER / LEZ:

- Extended Performances up to 1000m<sup>3</sup>/h (4403USgpm)

## Volute Casing Pumps LS:

- Extension of performance range of model LN/L
- Horizontal design according to ISO 5199
- Sizes from DN 125 up to DN 600 (5" up to 24")
- Capacities up to 4600m<sup>3</sup>/h (20250USgpm)
- Heads up to 100m (328feet)



Design LS